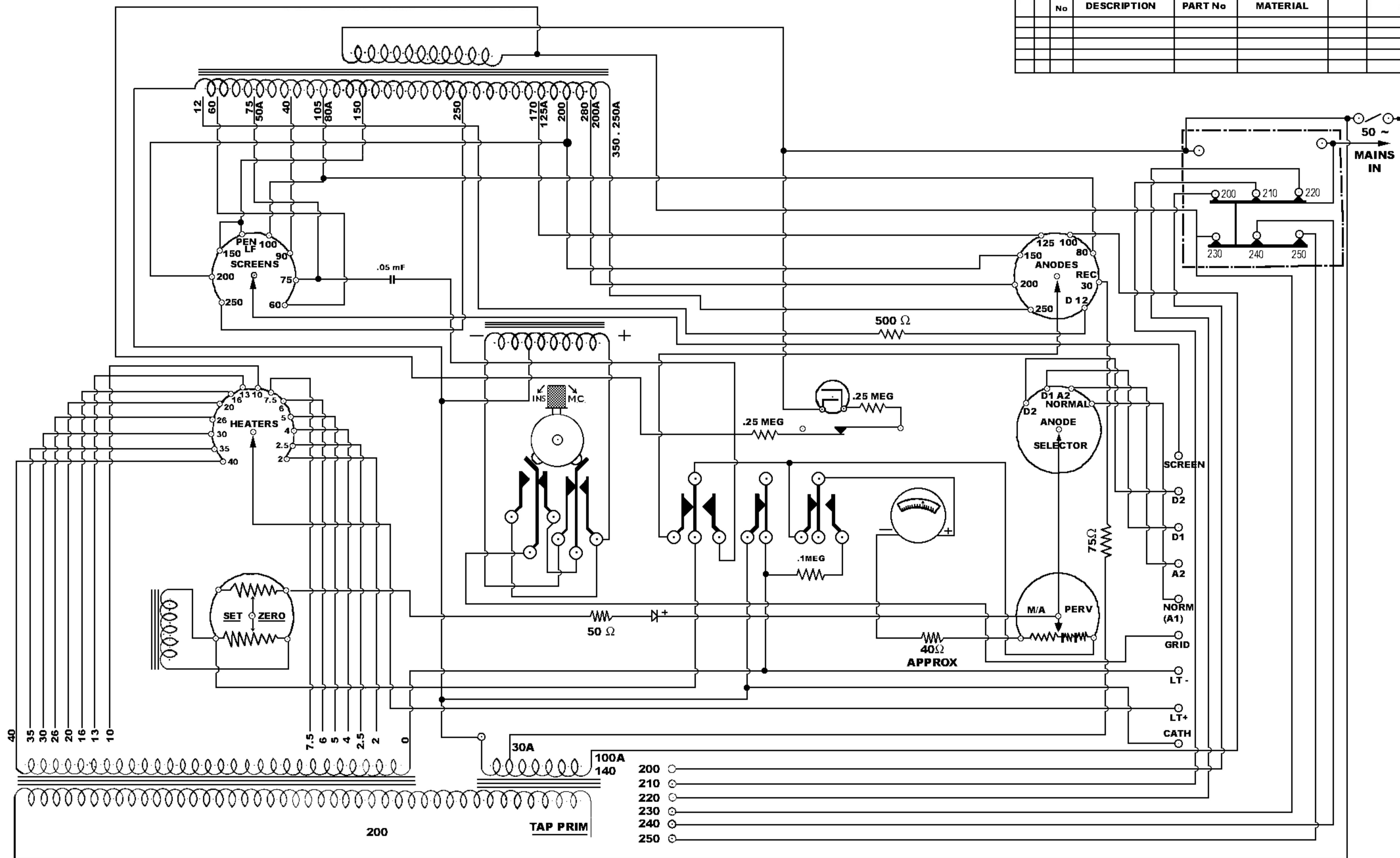


|         |             |         |          |              |  |
|---------|-------------|---------|----------|--------------|--|
| ACWEECO |             | DRAWN   | CHECKED  | VALVE TESTER |  |
|         |             | TRACED  | DATE     |              |  |
| ITEM No | DESCRIPTION | PART No | MATERIAL |              |  |
|         |             |         |          |              |  |
|         |             |         |          |              |  |
|         |             |         |          |              |  |



THIS IS THE COPYRIGHT OF THE AUTOMATIC COIL WINDER AND ELECTRICAL EQUIPMENT CO. LTD. AND MUST NOT BE CIRCULATED OR REPRODUCED IN WHOLE OR IN PART WITHOUT THE PRIOR PERMISSION OF THE COMPANY IN WRITING