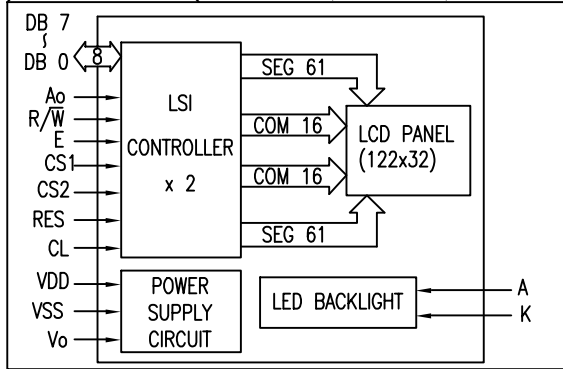


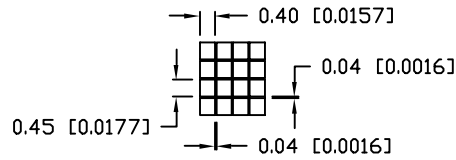
UNCONTROLLED DOCUMENT

□ □

BLOCK DIAGRAM 122 x 32, 1/16 DUTY, 1/5 BIAS



PIXEL DETAIL



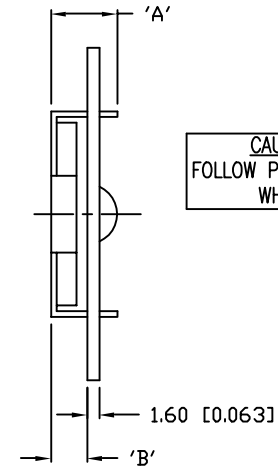
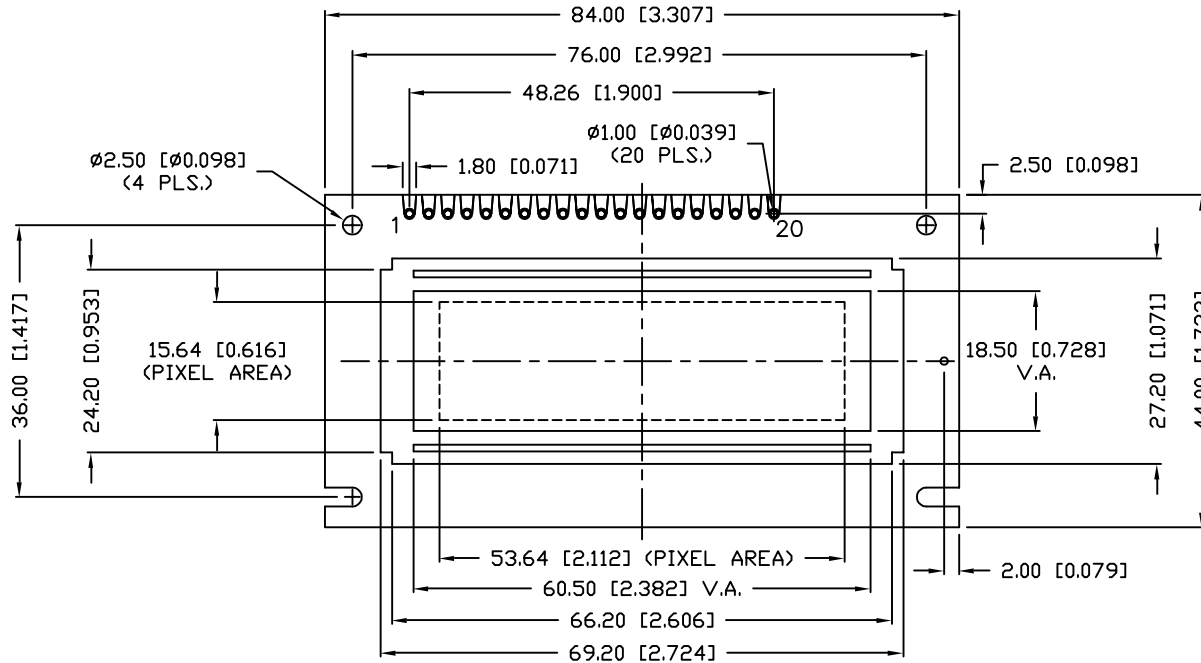
PART NUMBER
LCM-X12232GXX
REV. B

| REV. | E.C.N. NUMBER AND REVISION COMMENTS | DATE |
|------|-------------------------------------|---------|
| A | E.C.N. #10433./ | 6-8-98 |
| B | E.C.N. #10BRDR. & REDRAWN. | 10-2-98 |

P/N PREFIX/SUFFIX TABLE

| LCM-X | DXX | DESCRIPTION |
|------------|-----|---------------------------------|
| STANDARD | S | STN, REFLECTIVE |
| HIGH TEMP. | H | STN, TRANSLUCTIVE(W/ BACKLIGHT) |

| TYPE | DIM. | A | B |
|----------------|------|------|-----|
| WITH BACKLIGHT | | 12.7 | 8.7 |
| NO BACKLIGHT | | 8.8 | 4.8 |



CAUTION: STATIC SENSITIVE DEVICE
FOLLOW PROPER E.S.D. HANDLING PROCEDURES
WHEN WORKING WITH THIS PART.

UNCONTROLLED DOCUMENT

*UNLESS OTHERWISE SPECIFIED TOLERANCE IS ±0.25mm (±0.010")

REV. B PART NUMBER LCM-X12232GXX

CONFIDENTIAL INFORMATION
THE INFORMATION CONTAINED IN THIS DOCUMENT IS THE PROPERTY OF LUMEX INC. EXCEPT AS SPECIFICALLY AUTHORIZED IN WRITING BY LUMEX INC., THE HOLDER OF THIS DOCUMENT SHALL KEEP ALL INFORMATION CONTAINED HEREIN CONFIDENTIAL AND SHALL PROTECT SAME IN WHOLE OR IN PART FROM DISCLOSURE AND DISSEMINATION TO ALL THIRD PARTIES.



290 E. HELLEN ROAD
PALATINE, ILLINOIS 60067
PHONE: 1-847-359-2790
WEB: HTTP://WWW.LUMEX.COM

122 x 32 DOT MATRIX GRAPHIC MODULE,
1/16 DUTY, 1/5 BIAS.

RELIABILITY NOTE
OUR MANY YEARS OF EXPERIENCE DATA ACCUMULATION INDICATE THAT SOLDER HEAT IS A MAJOR CAUSE OF EARLY AND FUTURE FAILURE. PLEASE PAY ATTENTION TO YOUR SOLDERING PROCESS.

| | | | |
|-----------------|-------------|--------------|--------------|
| DRAWN BY: SA/BC | CHECKED BY: | APPROVED BY: | DATE: 4-6-98 |
| | | | PAGE: 1 OF 2 |
| | | | SCALE: N/A |