

Heatsink

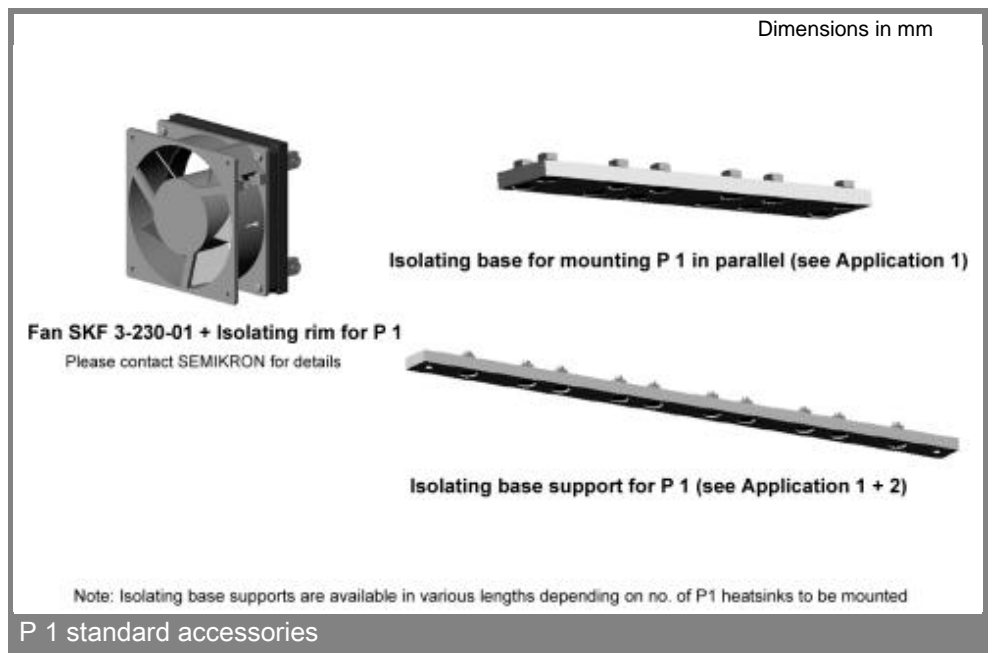
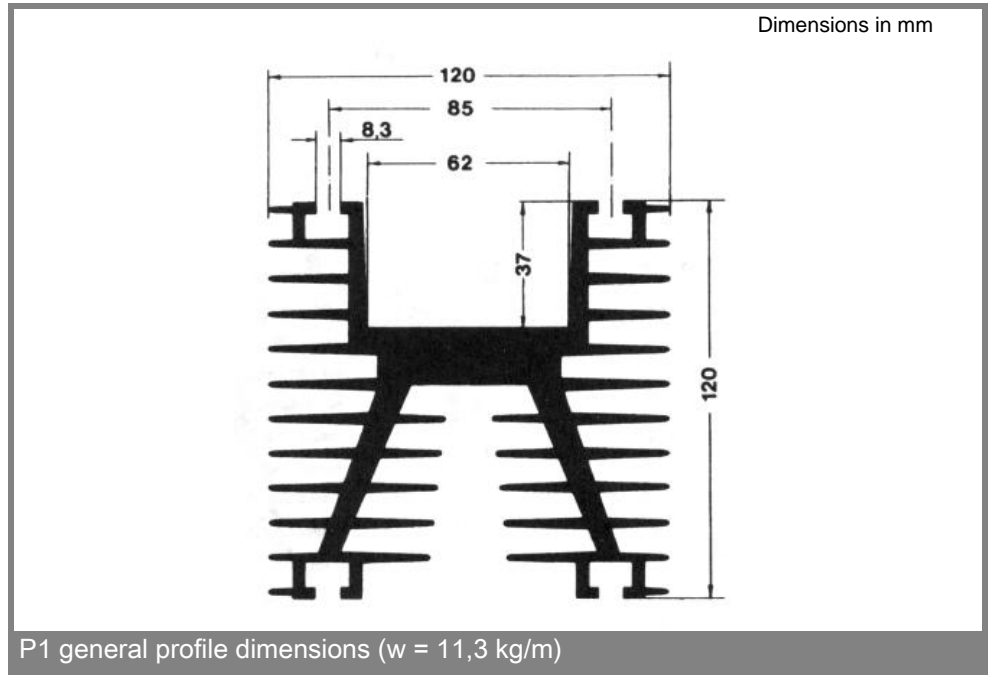
Standard lengths	n	b / d Ø mm	R _{thha} natural cooling K/W	R _{thha} (with fan SKF3) forced air cooling K/W	w kg
P 1/75-M12			0,825 (50 W)	0,33	0,82
P 1/120-M12			0,565 (120W)	0,28	1,3
P1/200-M24x1,5			0,40 (200W)	0,15	2,2
P 1/120-49mm		SEM. 1	0,70 (70W)	0,25	1,3
P 1/120-49mm		SEM. 2	0,60 (100W)	0,2	1,3
P 1/200-49mm		SEM. 2	0,47 (130W)	0,17	2,2

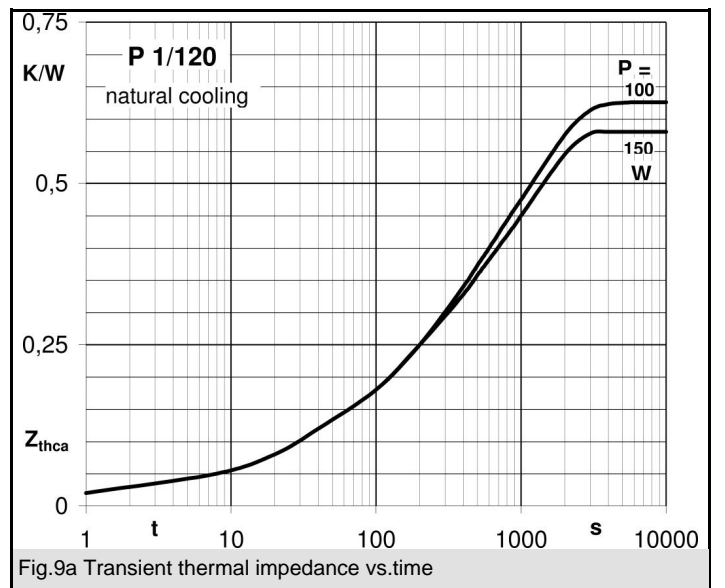
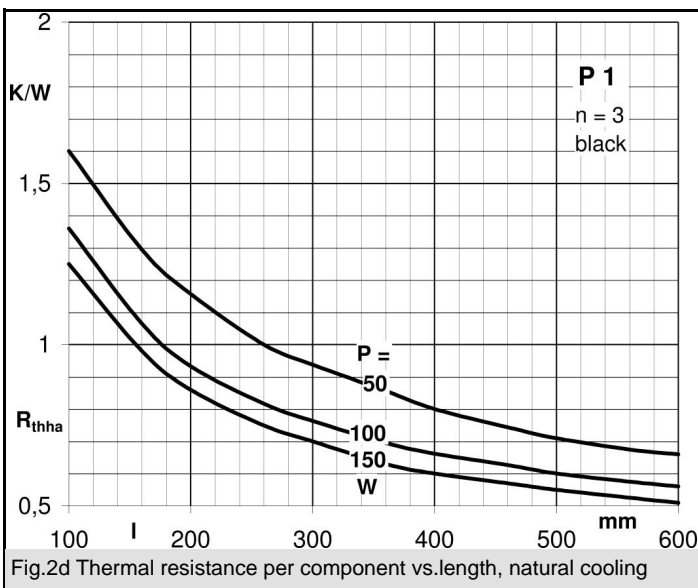
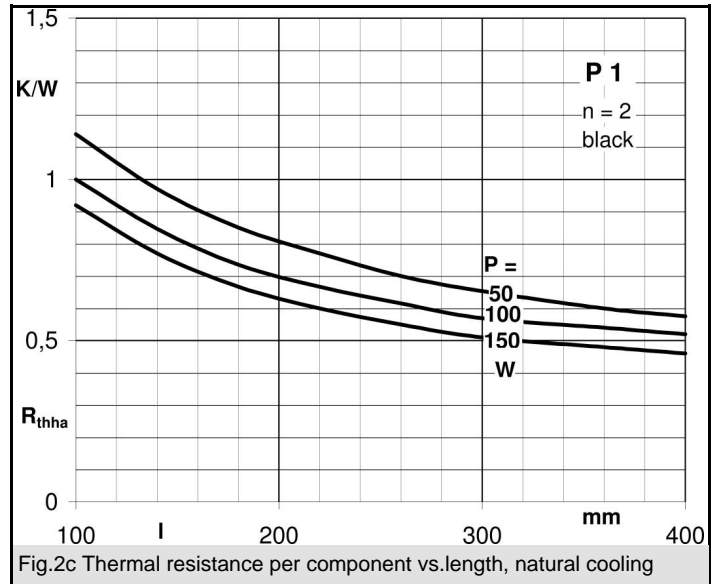
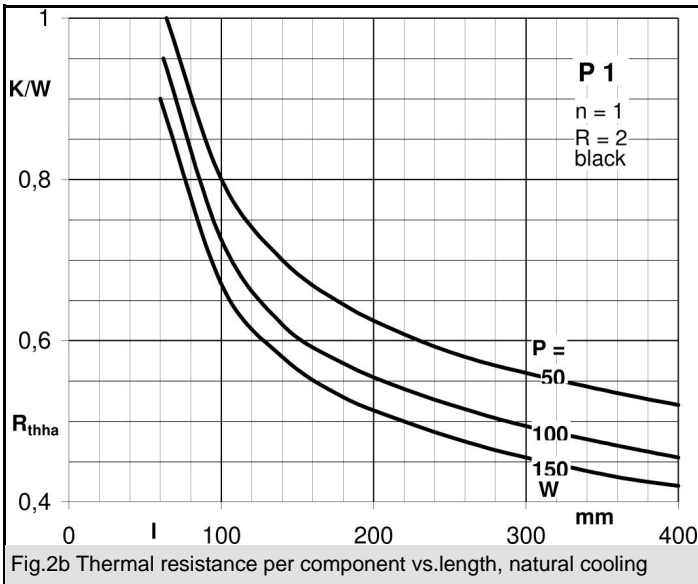
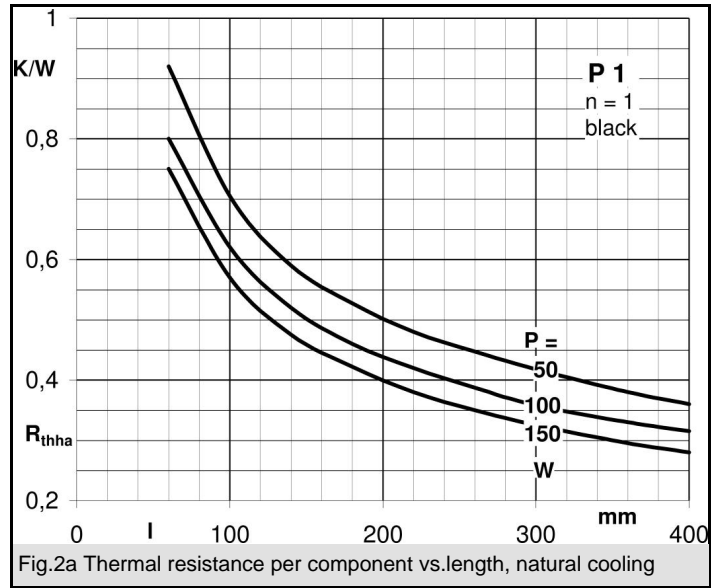
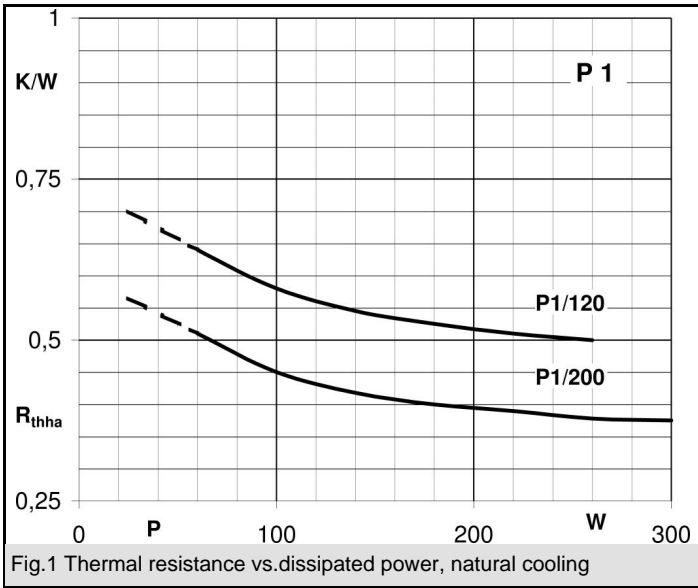
For studs and bridge rectifiers

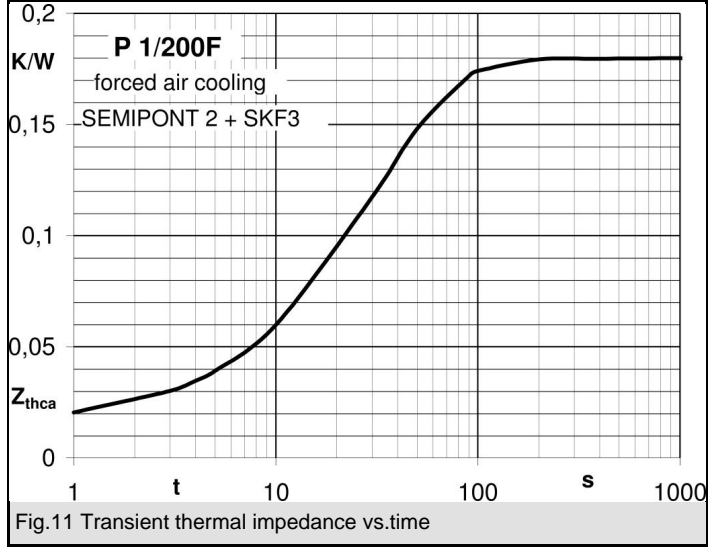
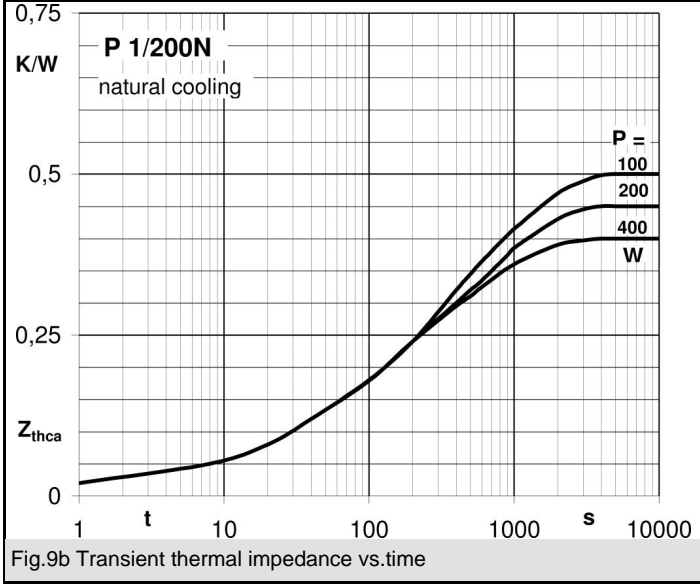
P 1

Features

- Intended for discrete components and bridge rectifiers
- Available in various lengths
- Several devices can be mounted on a single heatsink





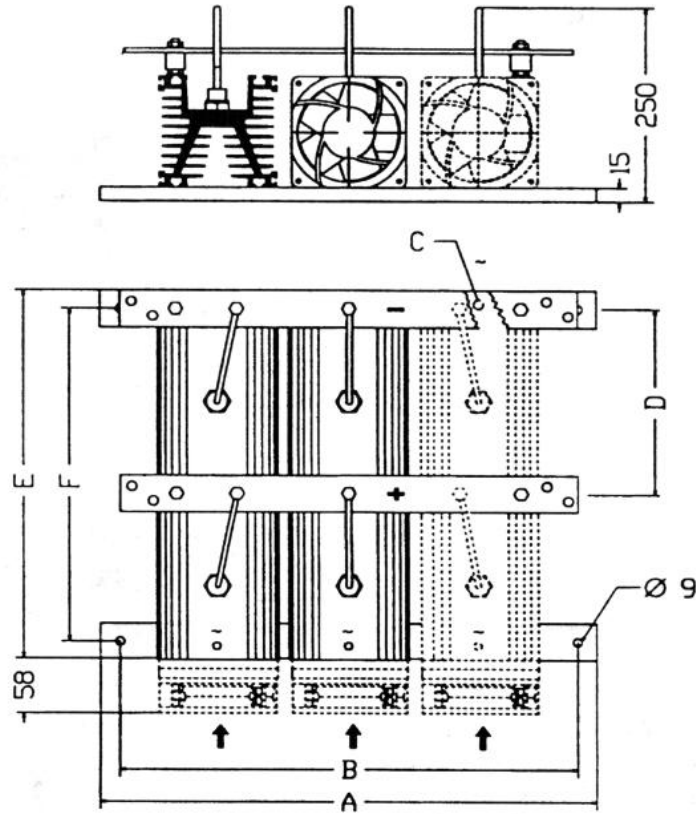


Dimensions in mm

P1/150
P1/200
P1/400

	B2 2xP1/150	B2 2xP1/200	B2 2xP1/400
A	375	375	375
B	335	335	335
C	M8	M8	M12
D	65	90	200
E	150	200	400
F	110	160	360

	B6 3xP1/150	B6 3xP1/200	B6 3xP1/400
A	510	510	510
B	470	470	470
C	M8	M8	M12
D	65	90	200
E	150	200	400
F	110	160	360

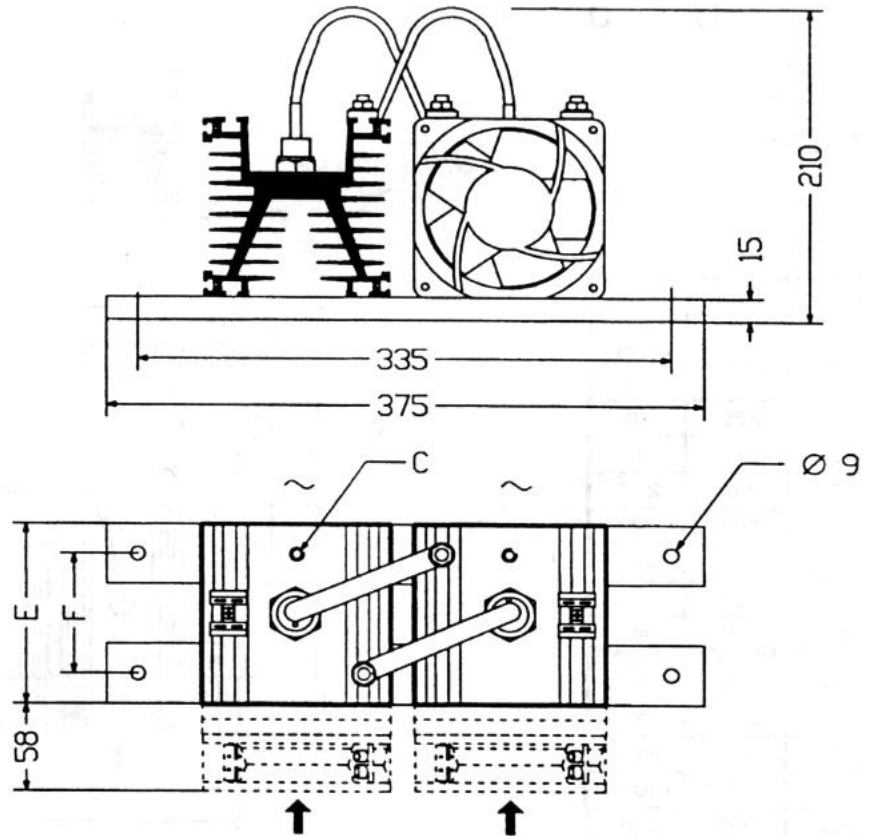


1. Application example using heatsink P1 to give single or three phase bridge rectifiers

Dimensions in mm

P1/120
P1/150
P1/200

	V1C 2xP1/120	V1C 2xP1/150	V1C 2xP1/200
C	M8	M10	M10
E	120	150	200
F	80	110	160



2. Application example using heatsink P1 to give a single phase AC controller