

FIGURE-4.1
PC101, 1ST I.F. MODULE

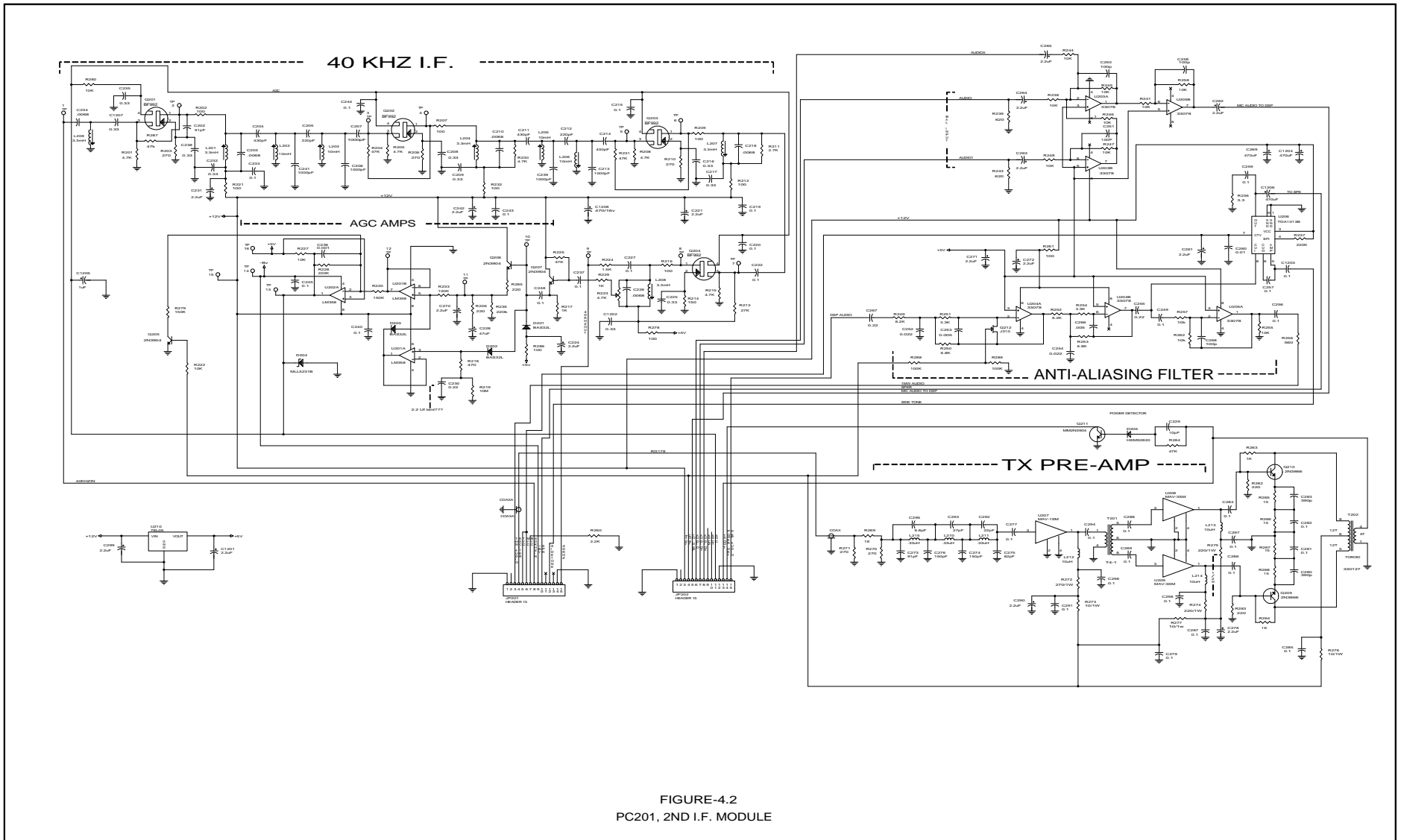
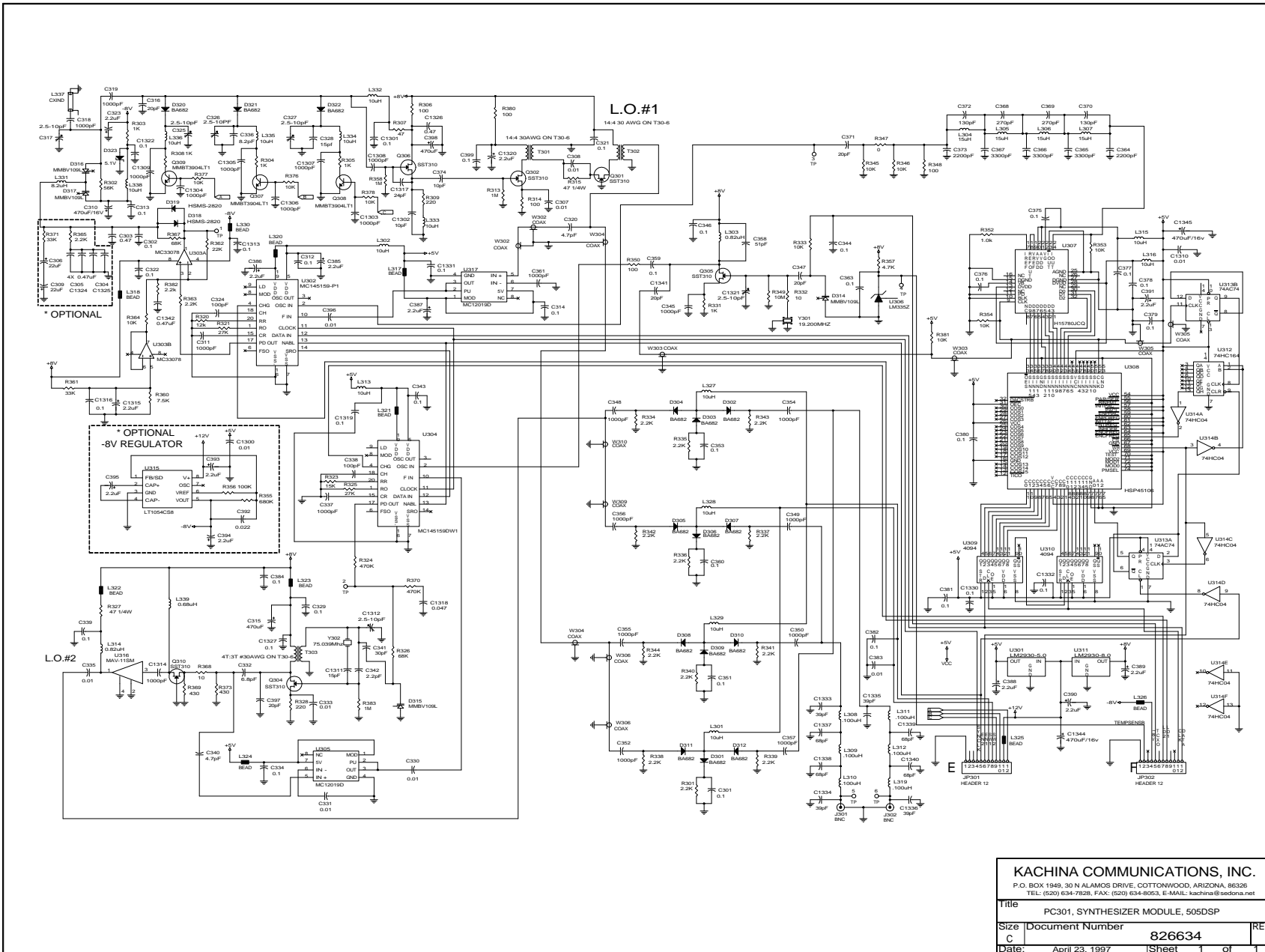
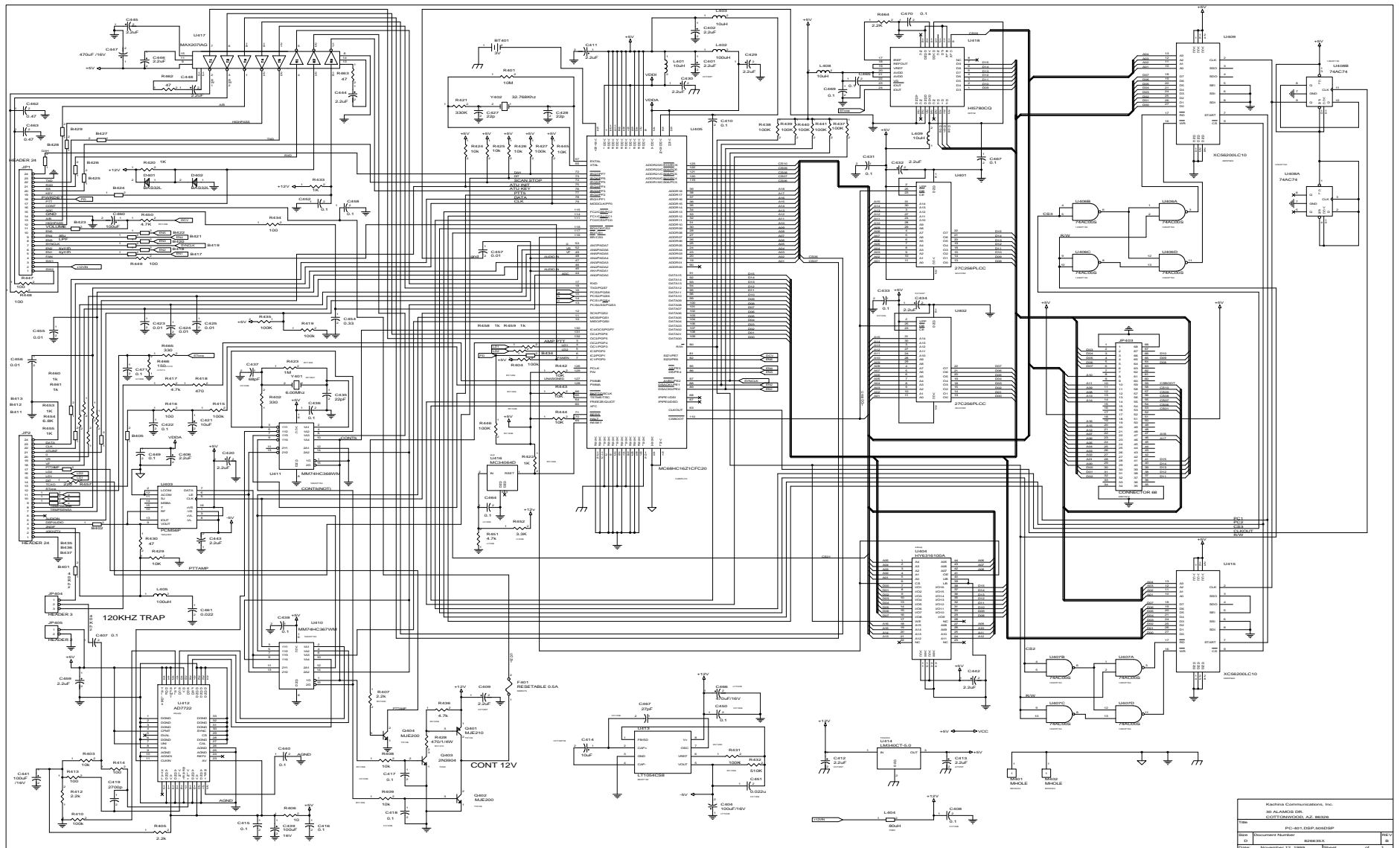


FIGURE-4.2
PC201, 2ND I.F. MODULE



KACHINA COMMUNICATIONS, INC.
 P.O. BOX 1949, 30 N ALAMOS DRIVE, COTTONWOOD, ARIZONA, 86326
 TEL: (602) 634-7828, FAX: (602) 634-8653, E-MAIL: kachina@sedona.net

Title			
PC301, SYNTHESIZER MODULE, 505DSP			
Size	Document Number	REV	
C	826634		
Date:	April 23, 1997	Sheet	1 of 1



Radco Controls, Inc.	
30 ALARMS DC DIFFERENTIAL ALM. SYSTEM	
REV.	NO. REV. DESCRIPTION
1	1
DATE	REVISED BY
1988-12-14	W. J. B. / J. B. B.

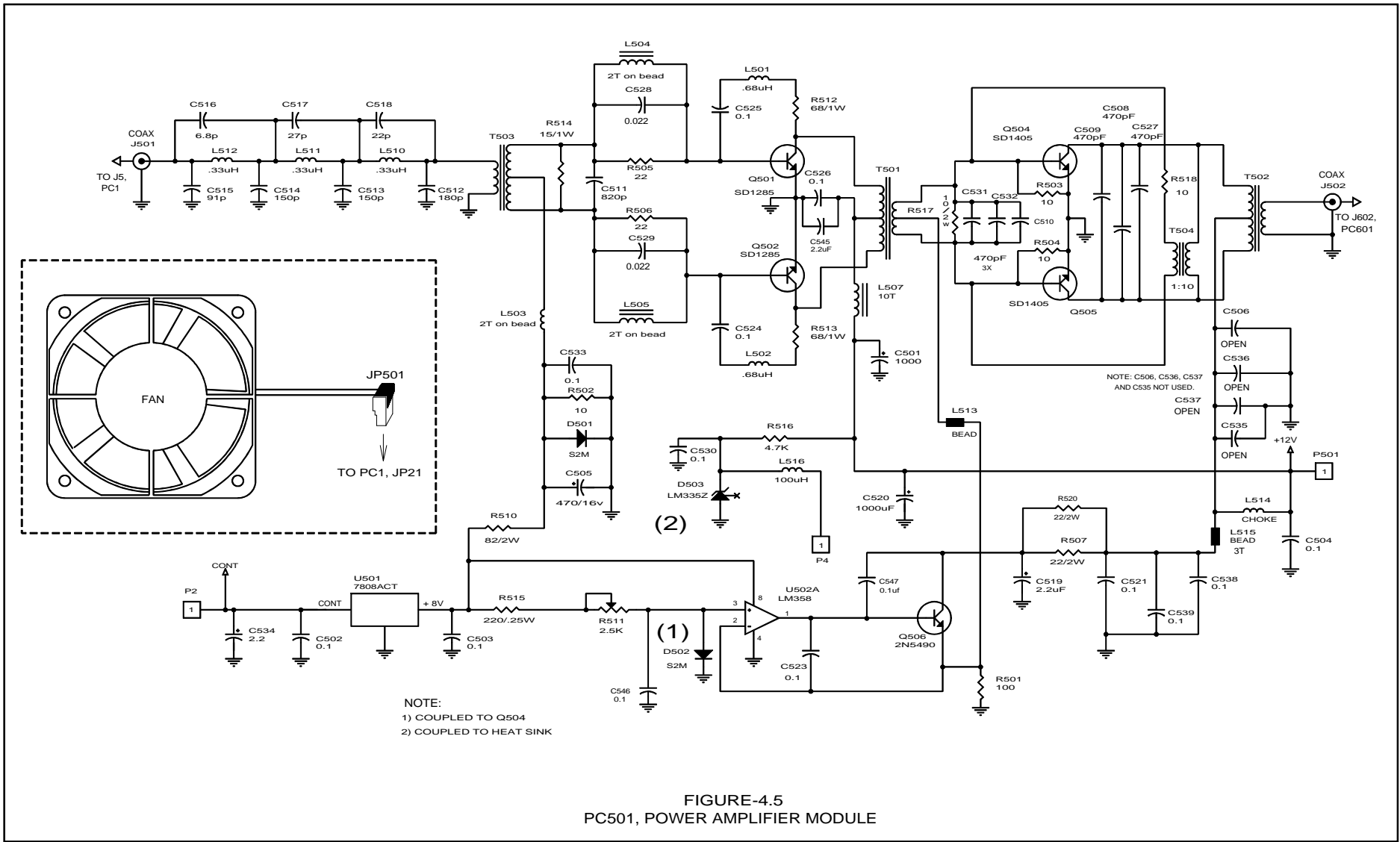
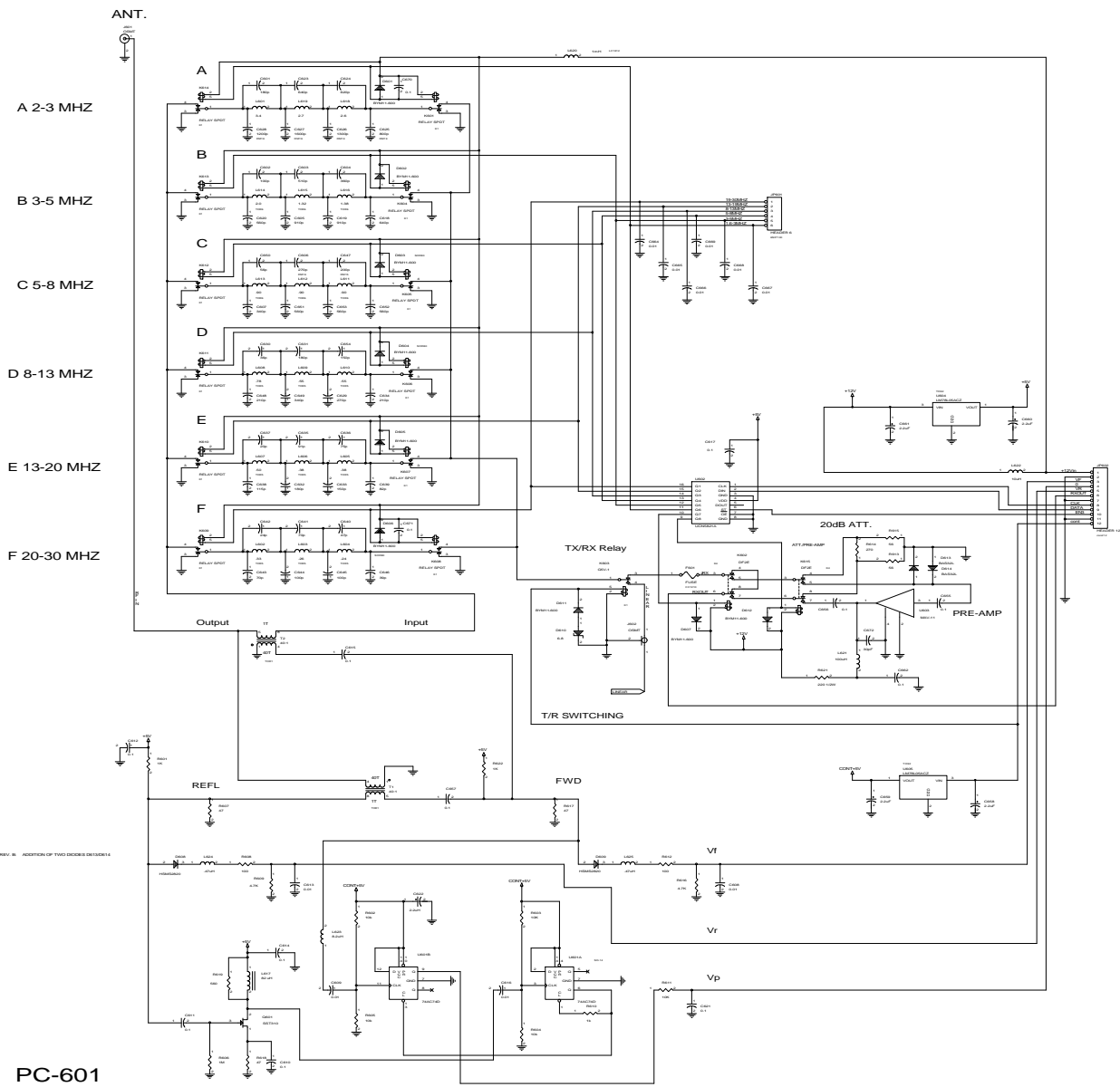


FIGURE-4.5
 PC501, POWER AMPLIFIER MODULE



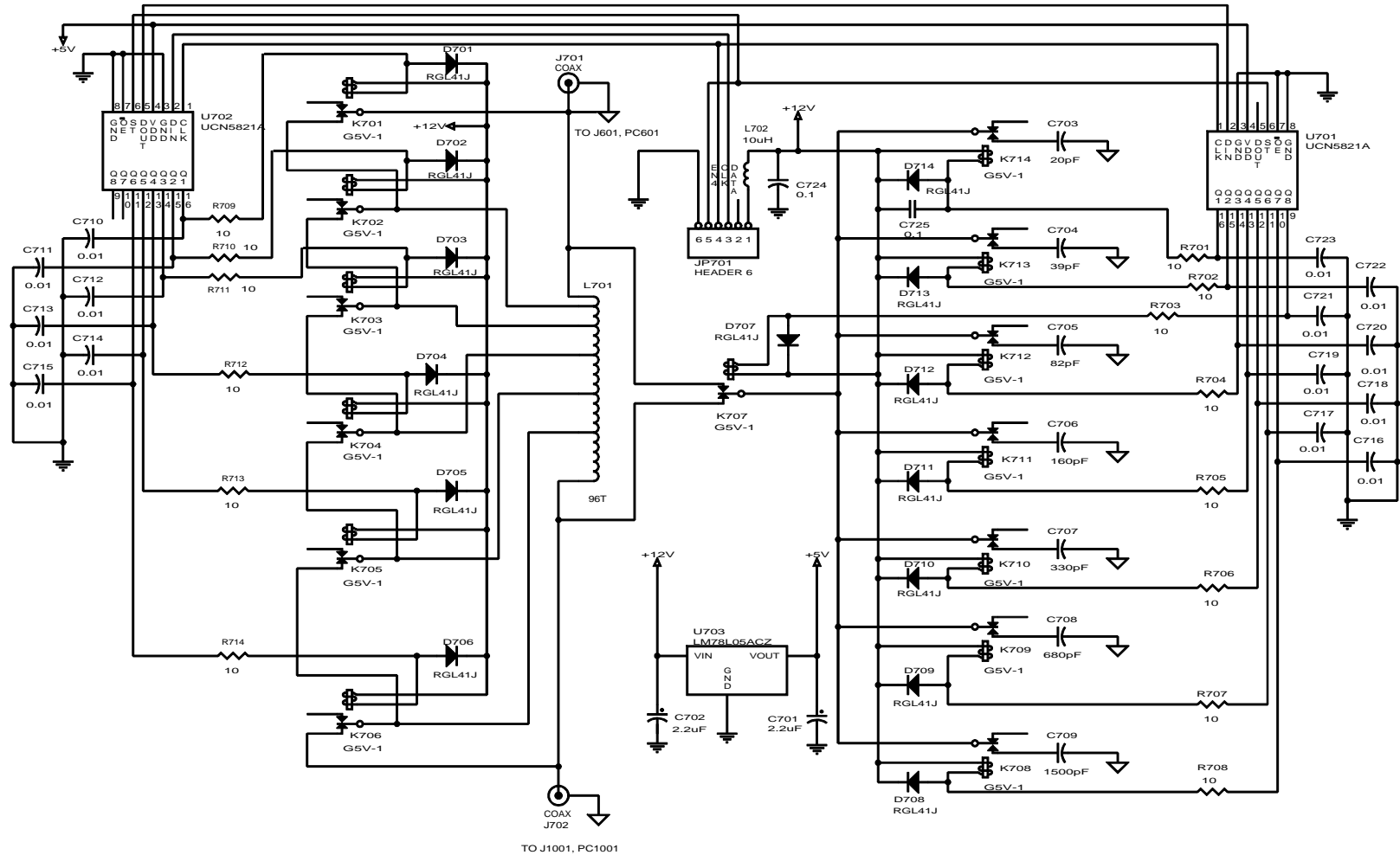
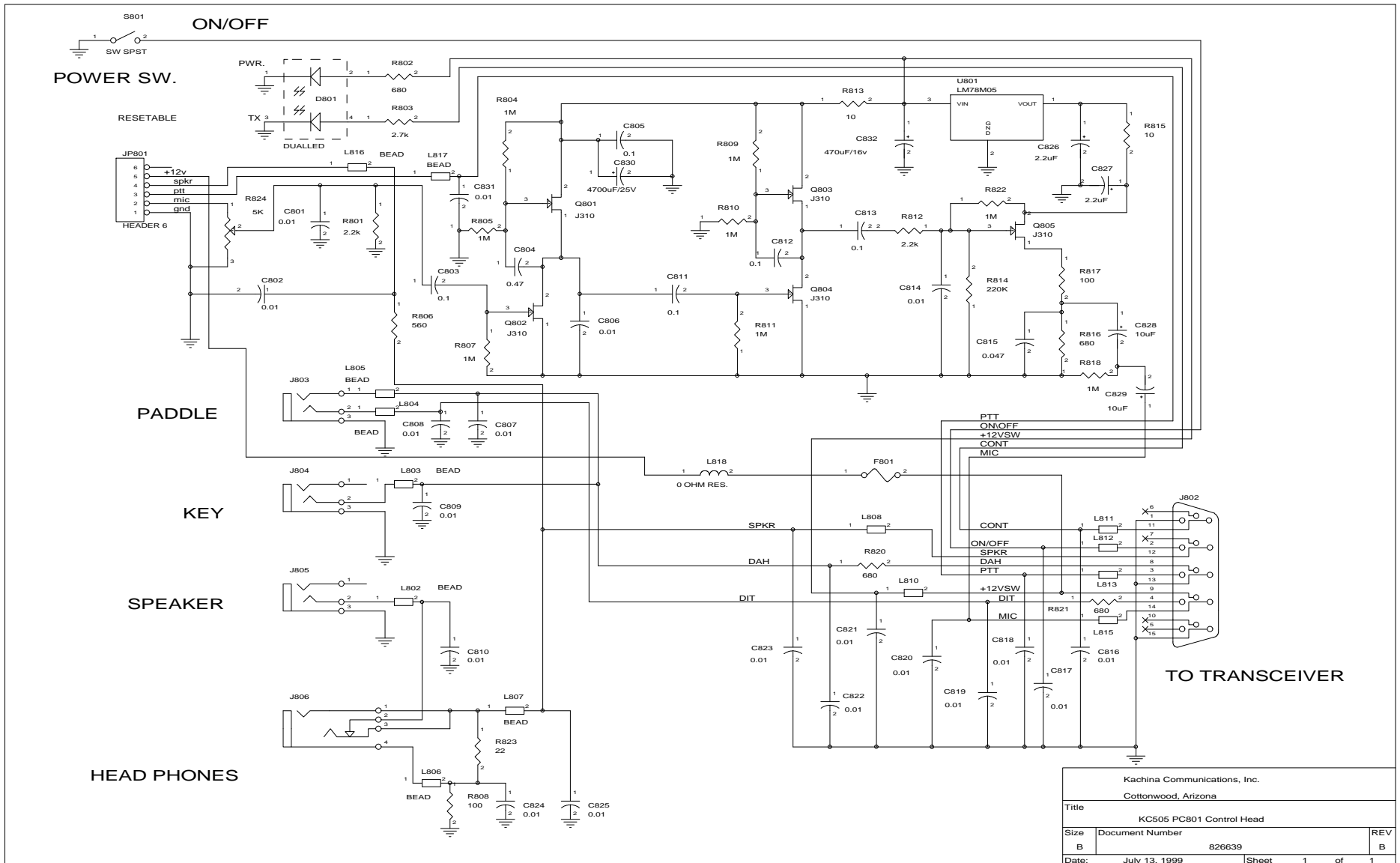


FIGURE-4.7
PC701, ANTENNA TUNER MODULE



Kachina Communications, Inc. Cottonwood, Arizona		
Title KC505 PC801 Control Head		
Size B	Document Number 826639	REV B
Date: July 13, 1999	Sheet 1	of 1

TO J601, PC601 OR
 [TO J702, PC701
 OPTIONAL TUNER]

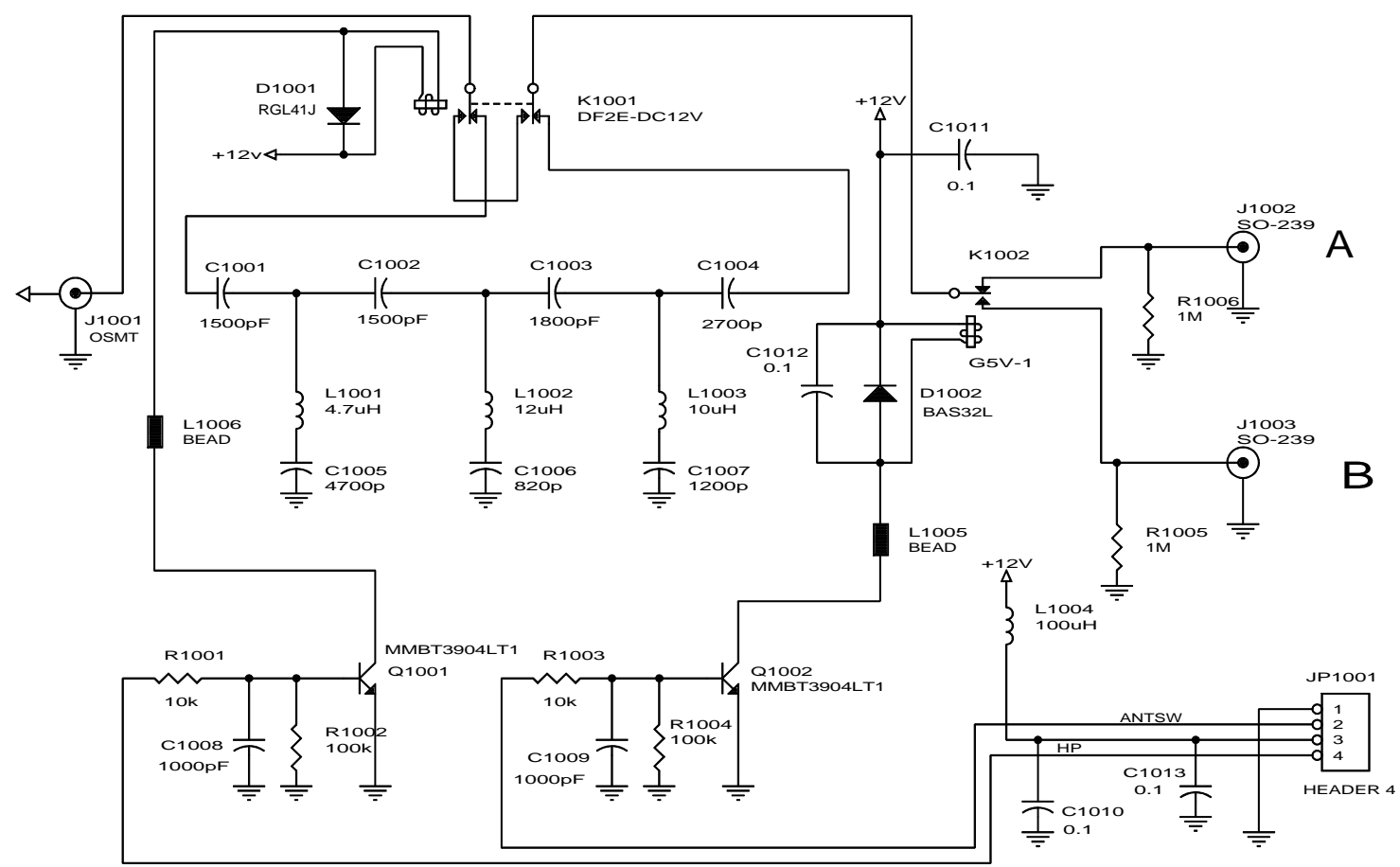


FIGURE-4.10
 PC1001, DUAL ANTENNA PORT

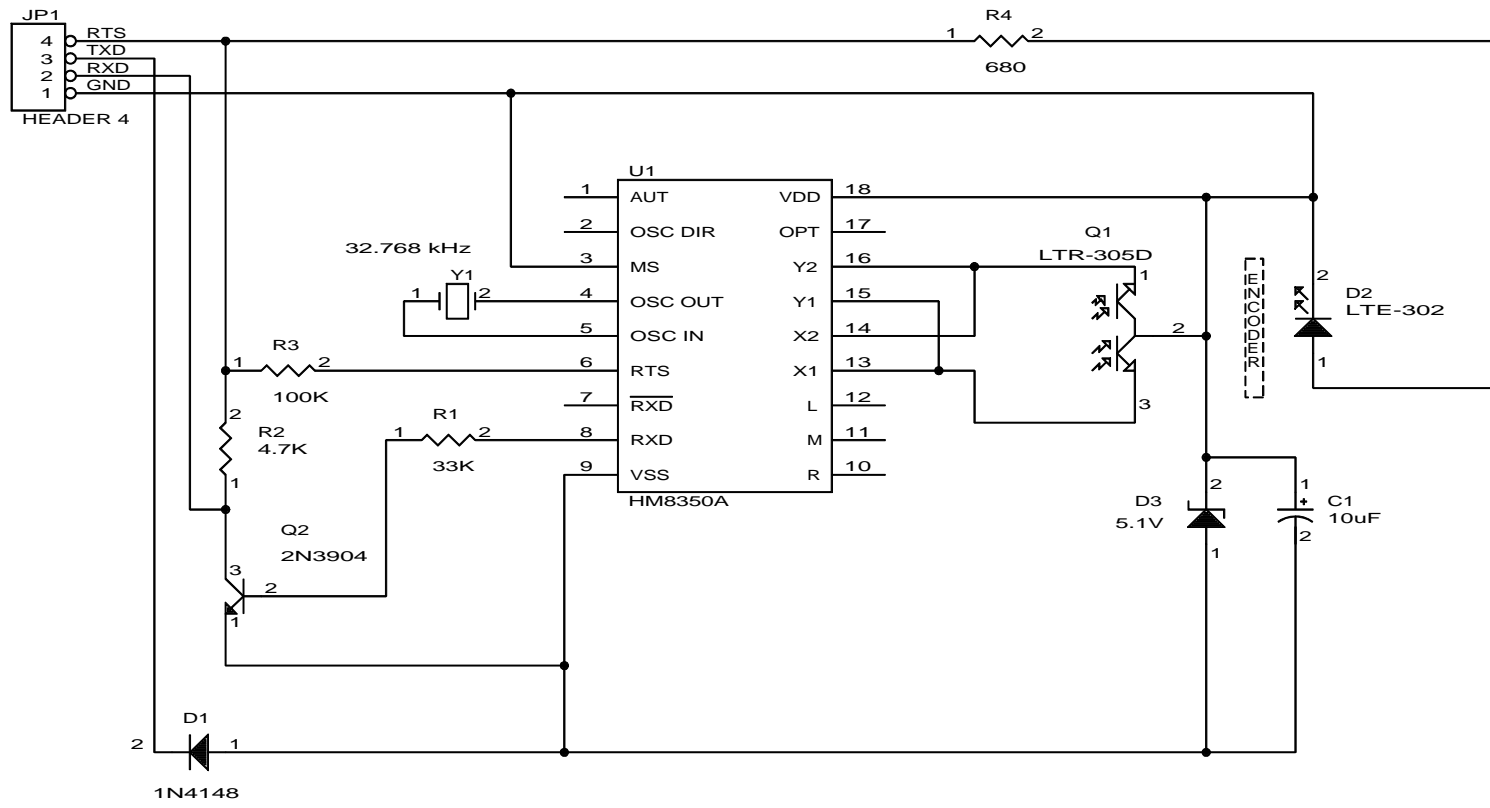
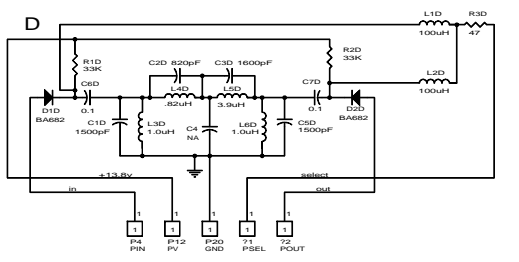
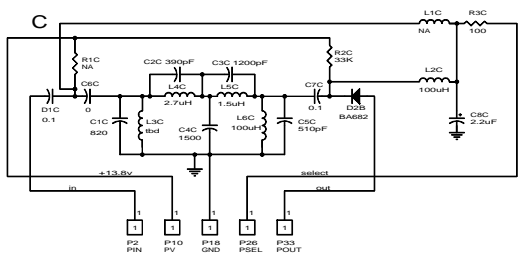
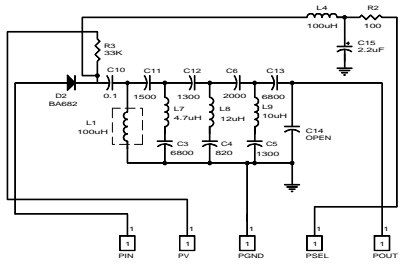
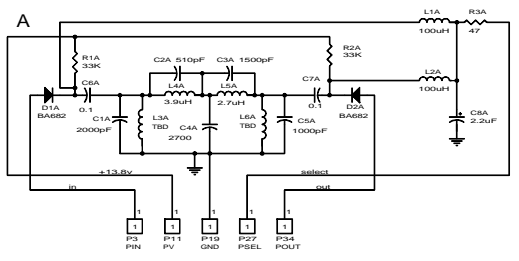


Figure 7.2-Schematic Diagram, PC906, Tuning Knob Option

PRE-SELECTORS (A-H)



* NOTE ALL 47 OHM RESISTORS ARE 1/4W
ALL OTHERS ARE 1/8W

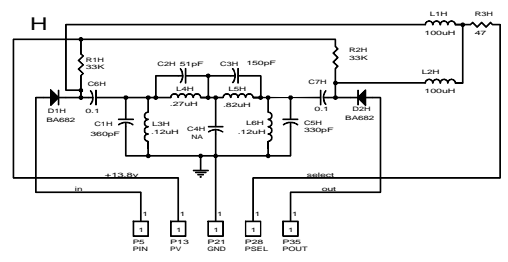
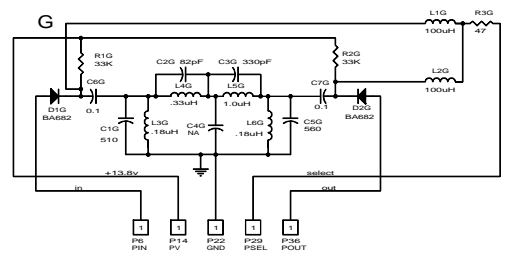
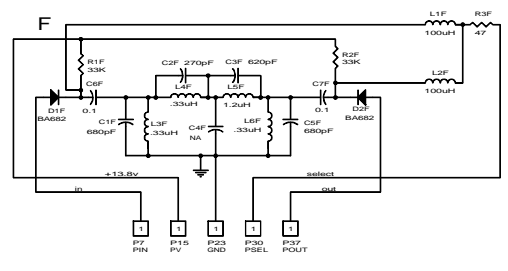
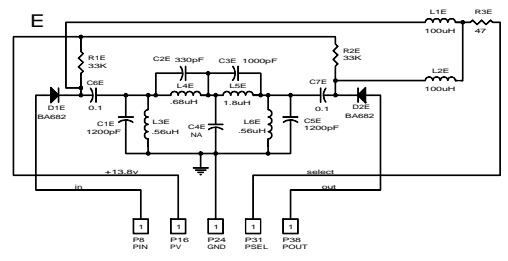
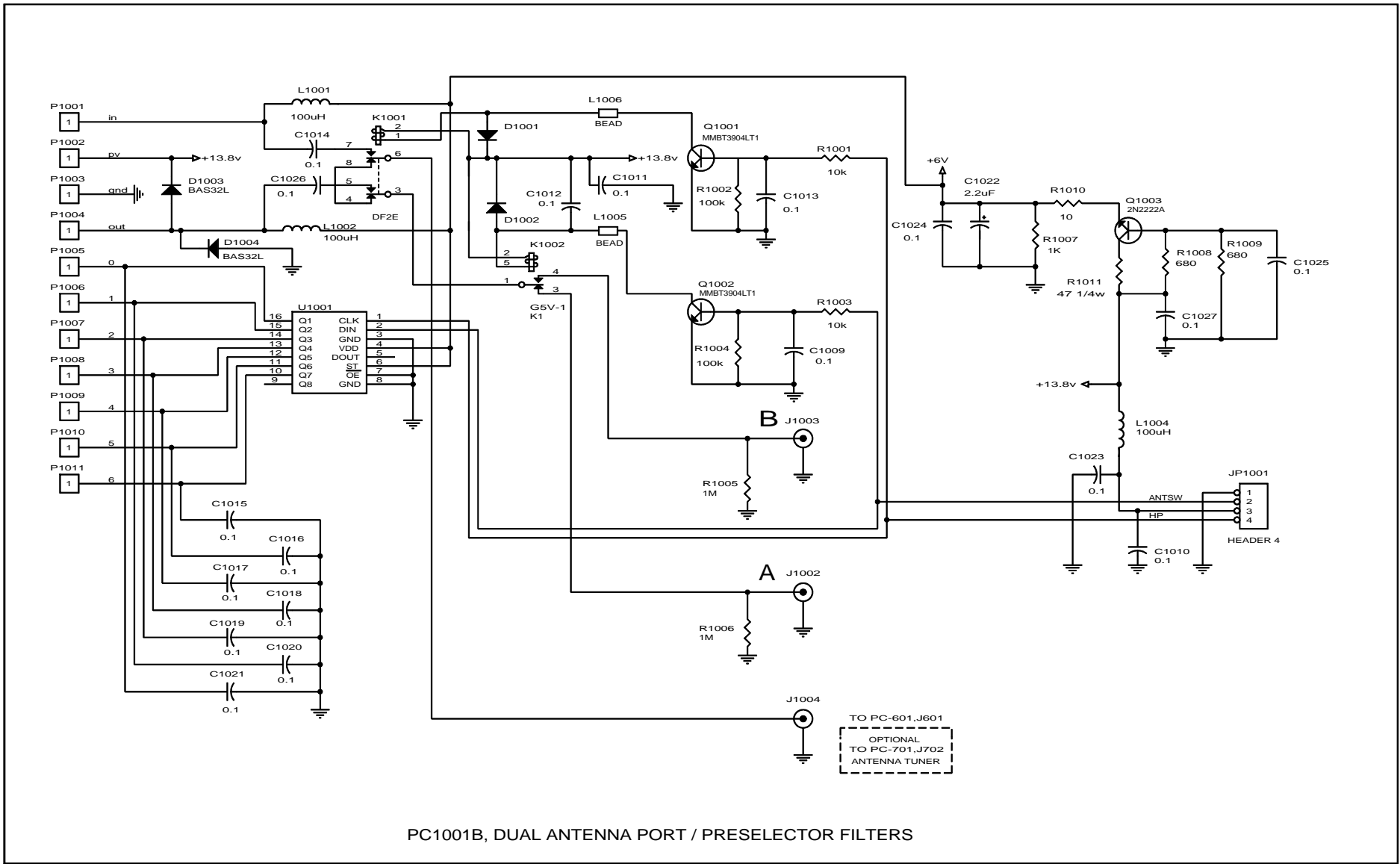
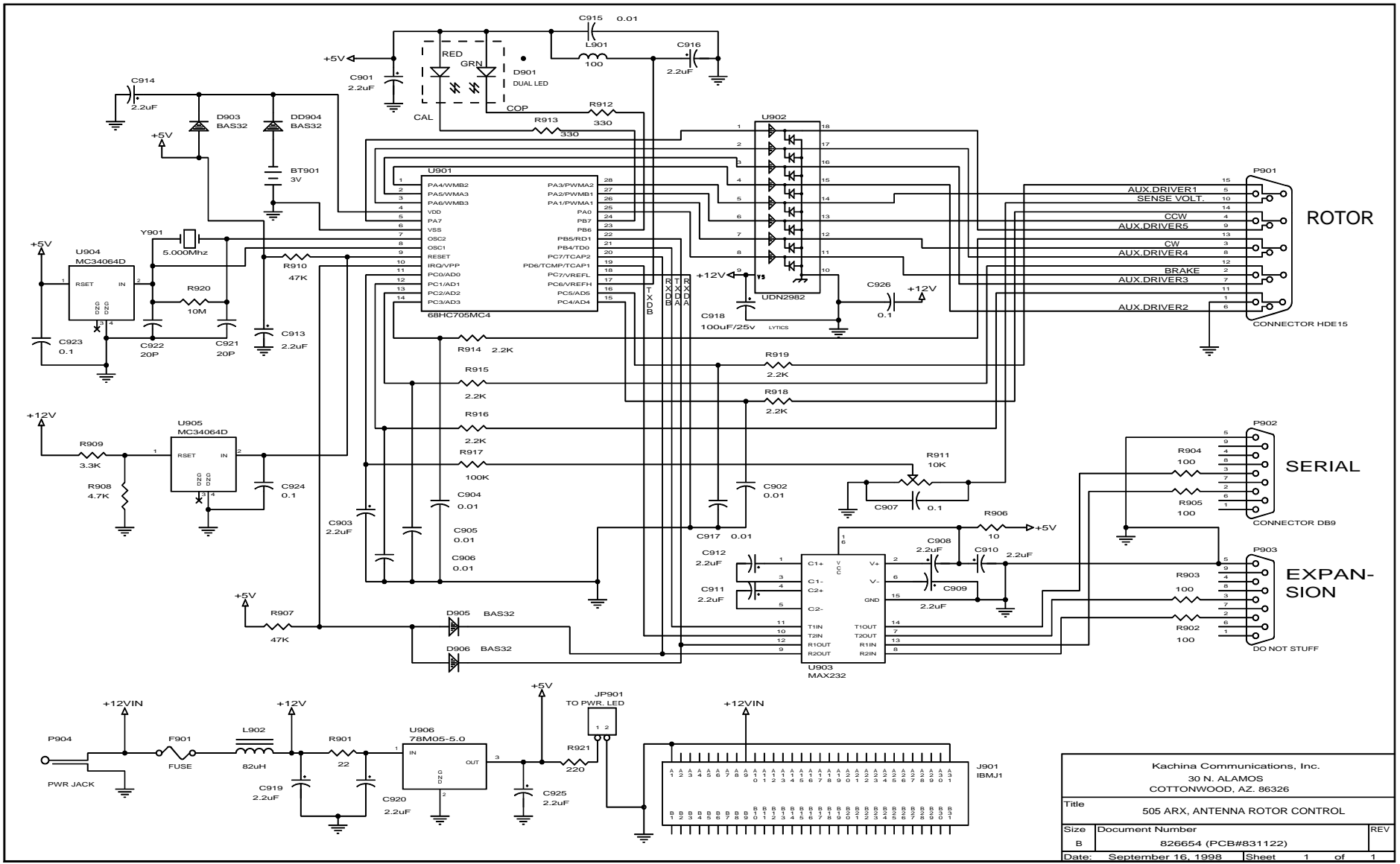


Figure 7.3b-Schematic Diagram, Pre-Select Filters, Dual Antenna Port





Kachina Communications, Inc. 30 N. ALAMOS COTTONWOOD, AZ. 86326		
Title 505 ARX, ANTENNA ROTOR CONTROL		
Size B	Document Number 826654 (PCB#831122)	REV
Date:	September 16, 1998	Sheet 1 of 1