

DESCRIPTION OF COMPONENTS

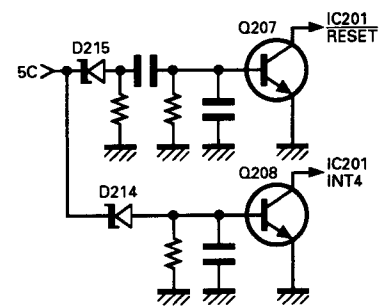
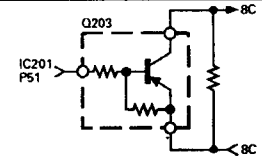
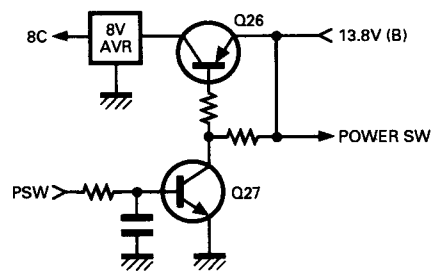
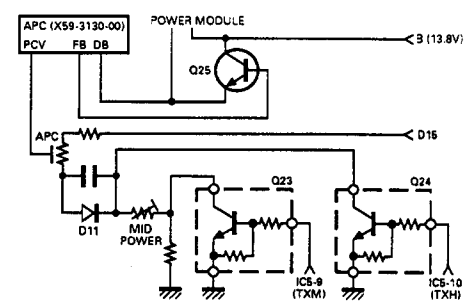
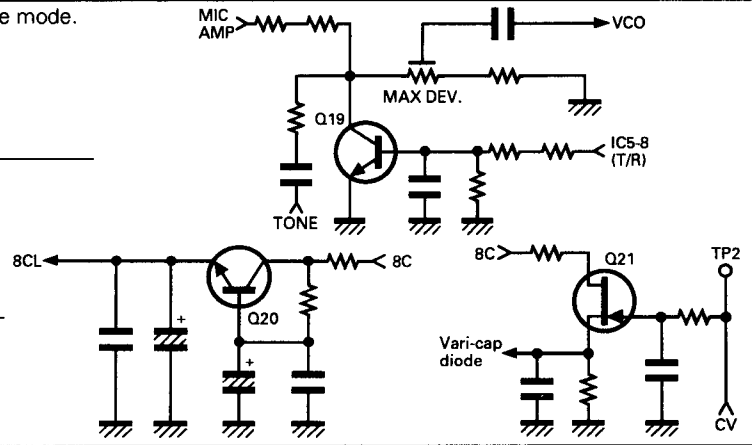
TX-RX UNIT (X57-369X-XX) 0-11 : K,P,X 0-12 : K2,P2 0-21 : M 0-22 : M2,M3 2-71 : E,E9,EM 2-72 : E2

Ref. No	Use/Function	Operation/Condition compatibility
IC1	2nd local oscillator, IF amplification, Detection, Low-frequency amplification, Noise amplification, Noise detection, Squelch switching	1 : 1st If signal input. 3, 4 : 2nd local oscillator. 9 : Busy output. 10 : Squelch control. 11 : S-meter output. 14 : RD output. 15 : Low-frequency output.
IC2	AM detector	
IC3	AF amplification	1 : AF input 6 : AF output
IC4	Electronic volume control, AF switch	2 : AF output. 7 : Panel volume input. 3 : "L" during step-up. 8 : Panel volume output. 4 : "L" during step-down. 10 : AF input. 5 : "H" when electronic volume selected.
IC5	Shift register	See circuit description.
IC6	5V AVR	
IC7	10V AVR	For PLL.
IC8	Transmit drive	
IC9	8V AVR	
IC201	Microprocessor	See circuit description.
IC202	6V AVR	
Q1	High-frequency amplification	Operates in receive mode.
Q2	11R switching	On when the aircraft band is selected.
Q3	BPF switching	On when the aircraft band is selected.
Q4	1st mixer	Converts received 144MHz-range signals to 1st IF.
Q5	High-frequency amplification	Amplifies 1st IF signal.
Q6	Q5 gain control	
Q7	Detector output switch	When the aircraft band is selected, the FM detection switch is turned off.
Q8	AF amplifier	When the aircraft band is selected, the output signal from the AM detector is amplified.
Q9 (1/2)	RD line mute	On when DRS unit replays.
Q9 (2/2)	AF line mute	
Q10	Low-frequency amplification	Operates when DRS unit replays.
Q12	AF line mute	Operates when transmit mode, AL 1ch receive mode, CTCSS, T. ALT or squelch is on.
Q13	8R switching	On in receive mode.
Q14	8T switching	On in transmit mode.
Q15	8R switching control	On in receive mode.
Q16	8T switching control	On in transmit mode.
Q17	8T switching control	Off in transmit mode.
Q18	8T switching control	Off when PLL locked.

TM-241A/E

DESCRIPTION OF COMPONENTS

Ref. No	Use/Function	Operation/Condition compatibility
Q19	Mic line mute	On in receive mode.
Q20	PLL 8V ripple filter	
Q21	CV line buffer	
Q22	VCO output amplification	
Q23	TX power select	On in HI or MID mode.
Q24	TX power select	On in HI mode.
Q25	TX drive stage +B control	
Q26	Power switch	
Q27	Power switch control	On when power switch is on.
Q28	Squelch hysteresis	On when the squelch is on.
Q201, 202	Function dimmer switch	Refer to circuit description.
Q203, 204	Lamp dimmer switch	
Q205	Lamp AVR	
Q206	Lamp AVR	
Q207	Reset switch	On for approx. 3ms when system power turned on. Usually off.
Q208	Back-up switch	Off when 13.8V line becomes 7.5V or less. Usually on.



DESCRIPTION OF COMPONENTS

Ref. No	Use/Function	Operation/Condition compatibility				
		Dimmer	1	2	3	4
Q209, 210	Dimmer switch on/off	Turn Q201~Q204 on or off.				
		Q209	ON	OFF	ON	OFF
		Q210	ON	ON	OFF	OFF
Q211	Function drive switch					
Q212	Mic mute	On when DTSS and paging codes are sent.				
D1	Band select switch (AM/FM)	On when the aircraft band is selected.				
D2~6	Vari-cap tuning					
D7~9	Reverse current prevention					
D10	VCO output switch					
D11	Temperature compensation	For APC.				
D12, 13	Transmit/receive switching					
D14, 15	Power detection	For APC.				
D16	Reverse power protection					
D202	Lamp standard voltage					
D203	Dimmer switch					
D204, 205	Switch	D205 switches in the lithium battery when the power is off.				
D206~211	Used for destination setting					
D212	CPU protector					
D213	Reverse current prevention					
D214	Back-up detection voltage					
D215	Reset detection voltage					
D216	Function LED					
D217	Reverse current prevention					

PLL (X58-3470-00) : K,P,M,M2,M3,X,E,E2,E9,EM

Ref. No	Use/Function	Operation/Condition compatibility
IC51	PLL	1 : VCO input. 133.300 to 135.295MHz (E, E9, EM), 133.300 to 137.295MHz (M), 125.300 to 163.295MHz (K, P, X, M2, M3, E2) in receive mode, 144.000 to 145.995MHz (E, E9, EM), 144.000 to 147.995MHz (K, P, X, M), 136.000 to 173.995MHz (M2, M3, E2) in transmit mode. 11 : "L" in transmit mode 14 : "H" when PLL unlocked
Q51	VCO output buffer	
Q52	Transmit switch	Off in transmit mode.
Q53	Transmit switch	On for moment when transmission starts.
Q101, 102	LPF	
Q1	VCO output buffer	
Q2	VCO	133.300 to 135.295MHz (E, E9, EM), 133.300 to 137.295MHz (M), 125.300 to 163.295MHz (K, P, X, M2, M3, E2) in receive mode, 144.000 to 145.995MHz (E, E9, EM), 144.000 to 147.995MHz (K, P, X, M), 136.000 to 173.995MHz (M2, M3, E2) in transmit mode.
D1	For modulation in TX mode	
D2	VCO voltage control	

TM-241A/E

DESCRIPTION OF COMPONENTS

PLL (X58-3500-11) : K2,P2

Ref. No	Use/Function	Operation/Condition compatibility
IC1	PLL	1 : VCO input. 105.175 to 166.820MHz in receive mode, 144.000 to 147.995MHz in transmit mode. 10,11 : "H" in transmit mode 13 : Phase comparison output 14 : "H" when PLL unlocked 23 : Reference oscillation input
Q1, 2	LPF	
Q3	Transmit switch	
Q4	VCO output amplification	105.175 to 166.820MHz in receive mode, 144.000 to 147.995MHz in transmit mode.
Q101	Receive VCO	105.175 to 166.820MHz.
Q102	Receive VCO switch	On in receive mode.
Q103	Receive VCO output buffer	105.175 to 166.820MHz.
Q104	Transmit VCO	144.000 to 147.995MHz.
Q105	Transmit VCO switch	On in transmit mode.
Q106	Transmit VCO output buffer	144.000 to 147.995MHz.
D101, 102	VCO voltage control	Receive.
D103	VCO voltage control/ Varactor diode for modulation in transmit mode	
D104	VCO voltage control	Transmission.

APC (X59-3130-00)

Ref. No	Use/Function	Operation/Condition compatibility
Q1	Differential amplification	
Q2 (2/2)	APC control	
Q3	Drive stage +B AVR	

MIC AMP (X59-3610-00)

Ref. No	Use/Function	Operation/Condition compatibility
IC1 (1/2)	Limited amplification	
IC1 (2/2)	LPF	
Q1	Low-frequency amplification	

PARTS LIST

× New Parts

Parts without **Parts No.** are not supplied.

Les articles non mentionnes dans le **Parts No.** ne sont pas fournis.

Teile ohne **Parts No.** werden nicht geliefert.

TM-241A/E

Ref. No. 参照番号	Address 位置	New Parts 新	Parts No. 部品番号	Description 部品名 / 規格	Desti- nation 仕向	Re- marks 備考
TM-241A/E						
1	1B		A01-1065-03	METALLIC CABINET(TOP)		
2	2B		A01-1066-03	METALLIC CABINET(BOTTOM)		
3	1C		A10-1292-01	CHASSIS CALKED ASSY		
4	2B		A22-0770-13	SUB PANEL		
5	2A	*	A62-0007-33	PANEL ASSY	KMM2PX	
5	2A	*	A62-0007-33	PANEL ASSY	M3K2P2	
5	2A	*	A62-0008-33	PANEL ASSY	EE2	
5	2A	*	A62-0008-33	PANEL ASSY	EM, E9	
			B42-3343-04	S/NO LABEL(NAME PLATE)		
			B42-3356-04	LABEL(EXT SP)		
9	1B		B42-3394-14	FCC LABEL	KK2	
10	3E		B42-5526-04	LABEL	KK2	
11	1C		B72-0093-04	MODEL NAME PLATE	KPX	
11	1C		B72-0093-04	MODEL NAME PLATE	K2P2	
11	1C		B72-0094-04	MODEL NAME PLATE	MM2M3	
11	1C		B72-0095-14	MODEL NAME PLATE	EE2E9	
11	1C	*	B72-0432-04	MODEL NAME PLATE	EM	
11	1C	*	B72-0651-14	MODEL NAME PLATE	E9	
12	2B		B11-0484-08	FILTER(LCD)		
13	2B		B30-0869-05	LAMP		
14	2B		B38-0330-05	LCD ASSY		
15	1B, 1C		B42-2455-04	LABEL(M4X8 MAX)		
16	1D		B46-0310-03	WARRANTY CARD	EE9E2	
16	2E		B46-0410-30	WARRANTY CARD	KK2	
16	1D		B46-0422-00	WARRANTY CARD	PP2	
17	1E		B62-0031-10	INSTRUCTION MANUAL	KXX2	
17	1D		B62-0032-10	INSTRUCTION MANUAL	MM2PM3	
17	1D		B62-0032-10	INSTRUCTION MANUAL	EE2E9	
17	1D		B62-0032-10	INSTRUCTION MANUAL	P2	
17	1E		B62-0440-00	INSTRUCTION MANUAL	EM	
18	1D		B62-0033-00	INSTRUCTION MANUAL	EE2E9	
			E31-3197-15	CONNECTING WIRE(SP)		
			E37-0051-05	WIRE (POWER HIGH LOW)	EM	
20	2D		E30-2111-05	DC CABLE		
21	1C		E30-2137-15	DC CABLE		
22	1C		E30-2145-15	ANT CABLE		
		*	F15-0677-04	SHADE		
25	2D		F51-0017-05	FUSE 15A		
26	1C		F51-0018-05	FUSE 20A		
27	1B		F20-0587-04	INSULATING BOARD(LITHIUM BATT)		
28	1B		F20-1059-04	INSULATING BOARD(LITHIUM BATT)		
			G02-0558-04	FLAT SPRING (TX-RX B PATTERN)		
30	2C		G02-0565-04	FLAT SPRING (COIL)	KPX	
30	2C		G02-0565-04	FLAT SPRING (COIL)	K2P2	
			G13-0926-04	CUSHION (CONT)		
32	1B, 1C		G02-0576-14	FLAT SPRING		
33	2A		G09-0405-05	SPRING (KNOB)		
			G10-0651-04	NON-WOVEN FABRIC(SP)		
35	1B, 2C		G10-0681-04	NON-WOVEN FABRIC(CHASSIS)		
36	1B, 2C		G10-0686-04	NON-WOVEN FABRIC(CASE)		
		*	G10-0747-04	NON-WOVEN FABRIC(LCDASSY)	K2P2	
		*	G13-0959-04	CUSHION (TX-RX)	K2P2	

L:Scandinavia

K:USA

P:Canada

TM-241A : (K,P,X,M,M2,M3,K2,P2)

Y:PX(Far East, Hawaii)

T:England

E:Europe

TM-241E : (E,E2,E9,EM)

Y:AAFES(Europe)

X:Australia

M:Other Areas

△ indicates safety critical components.

PARTS LIST

× New Parts

Parts without Parts No. are not supplied.

Les articles non mentionnes dans le Parts No. ne sont pas fournis.

Teile ohne Parts No. werden nicht geliefert.

TM-241A/E

Ref. No. 参照番号	Address 位置	New Parts 新	Parts No. 部品番号	Description 部品名 / 規格	Desti- nation 仕向	Re- marks 備考
39	2B		G13-0906-04	CUSHION (3KEY)		
40	2A		G13-0960-04	CUSHION (6KEY)		
41	2B		G13-0961-04	CUSHION (LOW)		
43	3E		H10-2658-02	POLYSTYRENE FOAMED FIXTURE		
44	1E		H11-0822-04	POLYSTYRENE PLATE	KXK2EM	
45	1D		H11-0823-04	POLYSTYRENE PLATE	MM2P	
45	1D		H11-0823-04	POLYSTYRENE PLATE	M3P2	
46	2E		H13-0814-04	PROTECTION PLATE		
47	1D		H13-0825-04	PROTECTION SHEET	MM2PM3	
47	1D		H13-0825-04	PROTECTION SHEET	P2	
47	1D		H13-0825-04	PROTECTION SHEET	EE2E9	
48	2D		H25-0029-04	PROTECTION BAG(MIC HOOK)	KPK2P2	
49	2D		H25-0117-04	PROTECTION BAG(DC CABLE)		
50	2E		H25-0720-04	PROTECTION BAG(RADIO)		
51	3D		H25-0750-04	PROTECTION BAG	EE2E9	
51	3D		H52-0054-04	ITEM CARTON BOX	KMM2PX	
51	3D		H52-0054-04	ITEM CARTON BOX	M3K2P2	
51	3D		H52-0055-04	ITEM CARTON BOX	EE2E9	
51	3D	*	H52-0301-04	ITEM CARTON BOX	EM	
53	1C		J19-1434-04	HOLDER(SP)		
54	2D		J20-0319-24	MIC HOOK	KPK2P2	
55	2A		J21-4303-08	MOUNTING HARDWARE(LCD ASSY)		
56	2E		J29-0436-03	BRACKET		
58	2B		K27-3035-14	KNØB(ENCØDER)		
59	2B		K27-3066-04	KNØB(POWER SW)		
60	2B		K27-3067-04	KNØB(LOW)		
61	2A		K27-3068-14	KNØB(CALL)		
62	2A		K27-3069-14	KNØB(FUNC)		
63	2A		K27-3071-14	KNØB(TONE)		
64	2A		K27-3072-14	KNØB(REVERSE)		
65	2A		K27-3074-14	KNØB(SHIFT)		
66	2A		K27-3075-14	KNØB(DR/DT)		
67	2A		K29-3156-04	KNØB(MAIN)		
68	2A		K29-3157-04	KNØB(VOL,SQL)		
70	2D		N99-0331-05	SCREW SET		
71	2D		N46-3010-46	PAN HEAD TAPPING SCREW	KPK2P2	
A	2B	*	N67-3010-41	SCREW(POWER MODULE 3X10)		
B	2B		N38-2640-46	SCREW(SUB PANEL)		
C	1C, 2C		N33-2606-45	OVAL HEAD MACHINE SCREW(CASE)		
D	1C, 2C		N87-2606-46	BRAZIER HEAD TAPTITE SCREW		
E	2B		N87-2610-46	BRAZIER HEAD TAPTITE SCREW		
F	2B		N88-2606-46	FLAT HEAD TAPTITE SCREW		
73	2E		T91-0379-35	MICROPHONE	MM2X	
73	2E		T91-0380-45	MICROPHONE(DTMF)	KPM3	
73	2E		T91-0380-45	MICROPHONE(DTMF)	K2P2	
73	2E	*	T91-0382-35	MICROPHONE(1750Hz TONE)	EE2	
73	2E	*	T91-0382-35	MICROPHONE(1750Hz TONE)	EM, E9	
SP	1C		T07-0246-05	LOUDSPEAKER		
IC1			LC7582	IC(LCD DRIVER)		
IC301	2C		S-AV17	IC(POWER MODULE FOR 144MHZ)		
75	2D		W01-0414-04	WRENCH		
76	2B		W09-0326-05	LITHIUM BATTERY		

L:Scandinavia

Y:PX(Far East, Hawaii)

Y:AAFES(Europe)

K:USA

T:England

X:Australia

P:Canada

E:Europe

M:Other Areas

TM-241A : (K,P,X,M,M2,M3,K2,P2)

TM-241E : (E,E2,E9,EM)

▲ indicates safety critical components.

PARTS LIST

× New Parts

Parts without Parts No. are not supplied.

Les articles non mentionnés dans le Parts No. ne sont pas fournis.

Teile ohne Parts No. werden nicht geliefert.

TM-241A/E
TX-RX UNIT (X57-369X-XX)

Ref. No. 参照番号	Address 位置	New Parts 新	Parts No. 部品番号	Description 部品名 / 規格	Destination 仕向	Remarks 備考
77	2B, 2C		X57-3690-11	TX-RX UNIT	KPX	
77	2B, 2C	*	X57-3690-12	TX-RX UNIT	K2P2	
77	2B, 2C		X57-3690-21	TX-RX UNIT	M	
77	2B, 2C		X57-3690-22	TX-RX UNIT	M2M3	
77	2B, 2C		X57-3692-71	TX-RX UNIT	EE9, EM	
77	2B, 2C		X57-3692-72	TX-RX UNIT	E2	
TX-RX UNIT (X57-369X-XX) 0-11: (K,P,X) 0-12: (K2,P2) 0-21: (M) 0-22: (M2,M3) 2-71: (E,E9,EM) 2-72: (E2)						
C1			CC73FCH1H040C	CHIP C 4PF C		
C2			CC73FCH1H060D	CHIP C 6PF D	KPX	
C2			CC73FCH1H050C	CHIP C 5PF D	K2P2	
C3			CC73FCH1H040C	CHIP C 4PF C	KPX	
C3			CC73FCH1H040C	CHIP C 4PF C	K2P2	
C3			CC73FCH1H070D	CHIP C 7PF D	MM2M3E	
C3			CC73FCH1H070D	CHIP C 7PF D	E2E9EM	
C4 ,5			CK73FB1H102K	CHIP C 1000PF K	KPX	
C4 ,5			CK73FB1H102K	CHIP C 1000PF K	K2P2	
C6 ,7			CK73FB1H102K	CHIP C 1000PF K		
C8			CK73FB1H103K	CHIP C 0.010UF K		
C9			CK73FB1H102K	CHIP C 1000PF K		
C10			CC73FCH1H0R5C	CHIP C 0.5PF C		
C11			CC73FCH1H470J	CHIP C 47PF J	KPXMM2	
C11			CC73FCH1H470J	CHIP C 47PF J	M3EE9	
C11			CC73FCH1H470J	CHIP C 47PF J	EM, E2	
C11			CC73FCH1H680J	CHIP C 68PF J	K2P2	
C12			CK73FB1H103K	CHIP C 0.010UF K		
C13			CC73FCH1H0R5C	CHIP C 0.5PF C		
C14			CC73FCH1H470J	CHIP C 47PF J	KPXMM2	
C14			CC73FCH1H470J	CHIP C 47PF J	M3EE9	
C14			CC73FCH1H470J	CHIP C 47PF J	EM, E2	
C14			CC73FCH1H680J	CHIP C 68PF J	K2P2	
C15			CK73FB1H102K	CHIP C 1000PF K		
C16			CC73FCH1H150J	CHIP C 15PF J		
C17			CC73FCH1H470J	CHIP C 47PF J	KPXMM2	
C17			CC73FCH1H470J	CHIP C 47PF J	M3EE9	
C17			CC73FCH1H470J	CHIP C 47PF J	EM, E2	
C17			CC73FCH1H680J	CHIP C 68PF J	K2P2	
C18			CK73FB1H103K	CHIP C 0.010UF K		
C19			CC73FCH1H030C	CHIP C 3PF C		
C20			CK73FB1H102K	CHIP C 1000PF K		
C21			CK73FB1H103K	CHIP C 0.010UF K		
C22			CK73FB1H102K	CHIP C 1000PF K		
C23			CC73FCH1H050C	CHIP C 5PF C	KPXMM2	
C23			CC73FCH1H050C	CHIP C 5PF C	M3EE9	
C23			CC73FCH1H050C	CHIP C 5PF C	EM, E2	
C23			CC73FCH1H080D	CHIP C 8PF D	K2P2	
C24			CK73FB1H102K	CHIP C 1000PF K		
C25			CK73FB1H103K	CHIP C 0.010UF K		
C26			CC73FCH1H220J	CHIP C 22PF J	KPXMM2	
C26			CC73FCH1H220J	CHIP C 22PF J	M3EE9	
C26			CC73FCH1H220J	CHIP C 22PF J	EM, E2	
C27			CK73FB1H102K	CHIP C 1000PF K		
C28			CC73FCH1H330J	CHIP C 33PF J	KPXMM2	
C28			CC73FCH1H330J	CHIP C 33PF J	M3EE9	
C28			CC73FCH1H330J	CHIP C 33PF J	EM, E2	

L:Scandinavia

K:USA

P:Canada

Y:PX(Far East, Hawaii)

T:England

E:Europe

Y:AAFES(Europe)

X:Australia

M:Other Areas

TM-241A : (K,P,X,M,M2,M3,K2,P2)

TM-241E : (E,E2,E9,EM)

⚠ indicates safety critical components.

PARTS LIST

× New Parts

Parts without Parts No. are not supplied.

Les articles non mentionnés dans le Parts No. ne sont pas fournis.

Teile ohne Parts No. werden nicht geliefert.

TX-RX UNIT (X57-369X-XX)

Ref. No. 参照番号	Address 位置	New Parts 新	Parts No. 部品番号	Description 部品名 / 規格	Desti- nation 仕 向	Re- marks 備考
C28			CC73FCH1H100D	CHIP C 10PF D	K2P2	
C29			CC73FCH1H151J	CHIP C 150PF J	KPXMM2	
C29			CC73FCH1H151J	CHIP C 150PF J	M3EE9	
C29			CC73FCH1H151J	CHIP C 150PF J	EM, E2	
C29			CK73FB1H102K	CHIP C 1000PF K	K2P2	
C30			CK73FB1H102K	CHIP C 1000PF K	KPX	
C30			CK73FB1H102K	CHIP C 1000PF K	K2P2	
C31			CC73FSL1H101J	CHIP C 100PF J	KPX	
C31			CC73FSL1H101J	CHIP C 100PF J	K2P2	
C32			CK73EF1C105Z	CHIP C 1.0UF Z	KPX	
C32			CK73EF1C105Z	CHIP C 1.0UF Z	K2P2	
C33			CK73FB1H223K	CHIP C 0.022UF K	KPX	
C33			CK73FB1H223K	CHIP C 0.022UF K	K2P2	
C34			CK73FB1H333K	CHIP C 0.033UF K	KPX	
C34			CK73FB1H333K	CHIP C 0.033UF K	K2P2	
C35			C92-0004-05	ELECTRØ 1.0UF 16WV	KPX	
C35			C92-0004-05	ELECTRØ 1.0UF 16WV	K2P2	
C36 ,37			CK73FB1H103K	CHIP C 0.010UF K	KPX	
C36 ,37			CK73FB1H103K	CHIP C 0.010UF K	K2P2	
C38			C92-0002-05	CHIP TAN 0.22UF 35WV	K2P2	
C38			C92-0504-05	CHIP TAN 0.68UF 20WV	KPXMM2	
C38			C92-0504-05	CHIP TAN 0.68UF 20WV	M3EE9	
C38			C92-0504-05	CHIP TAN 0.68UF 20WV	EM, E2	
C39 -41			CK73EF1C105Z	CHIP C 1.0UF Z		
C43			CE04EW1A470M	ELECTRØ 47UF 10WV		
C44			CK73FB1H103K	CHIP C 0.010UF K		
C47			CK73EB1H104K	CHIP C 0.10UF K		
C48			CE04EW1A471M	ELECTRØ 470UF 10WV		
C49			CK73FB1H103K	CHIP C 0.010UF K		
C50			CE04EW1C470M	ELECTRØ 47UF 16WV		
C51 -53			CE04EW1A470M	ELECTRØ 47UF 10WV		
C54			CK73FB1H273K	CHIP C 0.027UF K		
C55			CC73FSL1H101J	CHIP C 100PF J		
C56			CE04EW1E4R7M	ELECTRØ 4.7UF 25WV		
C57 ,58			CK73EF1C105Z	CHIP C 1.0UF Z		
C59			CK73FB1H103K	CHIP C 0.010UF K		
C60			CE04EW1A470M	ELECTRØ 47UF 10WV		
C61			C92-0504-05	CHIP TAN 0.68UF 20WV		
C62			CE04EW1A470M	ELECTRØ 47UF 10WV		
C63			CK73FB1H103K	CHIP C 0.010UF K		
C64			C92-0504-05	CHIP TAN 0.68UF 20WV		
C65 ,66			CK73FB1H102K	CHIP C 1000PF K		
C67			CC73FCH1H050C	CHIP C 5PF C		
C68			C92-0501-05	CHIP-TAN 1.5UF 6.3WV		
C69			CK73FB1H103K	CHIP C 0.010UF K		
C70			CC73FCH1H390J	CHIP C 39PF J	K2P2	
C71			CK73FB1H102K	CHIP C 1000PF K		
C72			CK73EB1H473K	CHIP C 0.047UF K		
C73			CK73FB1H102K	CHIP C 1000PF K		
C74			CK73EF1C105Z	CHIP C 1.0UF Z		
C75 ,76			CK73FB1H102K	CHIP C 1000PF K		
C78			CK73FB1H102K	CHIP C 1000PF K		
C79			CC73FCH1H330J	CHIP C 33PF J		
C80			CK73FB1H102K	CHIP C 1000PF K		
C81			CC73FCH1H220J	CHIP C 22PF J		

L:Scandinavia

K:USA

P:Canada

Y:PX(Far East, Hawaii)

T:England

E:Europe


Y:AAFES(Europe)

X:Australia

M:Other Areas

TM-241A : (K,P,X,M,M2,M3,K2,P2)

TM-241E : (E,E2,E9,EM)

 indicates safety critical components.

PARTS LIST

× New Parts

Parts without Parts No. are not supplied.

Les articles non mentionnés dans le Parts No. ne sont pas fournis.

Teile ohne Parts No. werden nicht geliefert.

TX-RX UNIT (X57-369X-XX)

Ref. No. 参照番号	Address 位置	New Parts 新	Parts No. 部品番号	Description 部品名 / 規格	Desti- nation 仕 向	Re- marks 備考
C82			CK73FB1H103K	CHIP C 0.010UF K		
C83			CE04EW1A470M	ELECTRØ 47UF 10WV		
C84			CK73FB1H103K	CHIP C 0.010UF K		
C85			CE04EW1A221M	ELECTRØ 220UF 10WV		
C86			CE04EW1C100M	ELECTRØ 10UF 16WV		
C87 ,88			CK73FB1H103K	CHIP C 0.010UF K		
C89 -92			CK73FB1H102K	CHIP C 1000PF K		
C93			CK73FB1H103K	CHIP C 0.010UF K		
C94			CE04EW1A470M	ELECTRØ 47UF 10WV		
C95 ,96			CK73FB1H103K	CHIP C 0.010UF K		
C97			CE04EW1C102M	ELECTRØ 1000UF 16WV		
C99			CK73FB1H102K	CHIP C 1000PF K		
C100			CK73EF1C105Z	CHIP C 1.0UF Z		
C101			CK73FB1H102K	CHIP C 1000PF K		
C102			CE04EW1C100M	ELECTRØ 10UF 16WV		
C104			CC45SL2H220J	CERAMIC 22PF J		
C105			CK73FB1H102K	CHIP C 1000PF K		
C106			CC73FCH1H220J	CHIP C 22PF J		
C107			CK45B2H102K	CERAMIC 1000PF K		
C108			CM73F2H180J	CHIP C 18PF J		
C109			CC73FCH1H0R5C	CHIP C 0.5PF C		
C110			CC73FCH1H040C	CHIP C 4PF C		
C111-113			CK73FB1H102K	CHIP C 1000PF K		
C114			CC45SL2H390J	CERAMIC 39PF J		
C115			CC45SL2H470J	CERAMIC 47PF J		
C116			CC73FCH1H0R5C	CHIP C 0.5PF C		
C117			CC73FCH1H020C	CHIP C 2.0PF C		
C118			CM73F2H470J	CHIP C 47PF J		
C119			CK73FB1H102K	CHIP C 1000PF K		
C120			C92-0511-05	CHIP TAN 0.15UF 35WV		
C121			CK73EF1C105Z	CHIP C 1.0UF Z		
C122			CK73FB1H102K	CHIP C 1000PF K		
C123			CK73EF1C105Z	CHIP C 1.0UF Z		
C125			CM73F2H050D	CHIP C 5.0PF D		
C126			CC73FSL1H101J	CHIP C 100PF J		
C127			CK73FB1H332K	CHIP C 3300PF K		
C128			CM73F2H150J	CHIP C 15PF J		
C129			CC73FCH1H270J	CHIP C 27PF J		
C201			CK73FB1H102K	CHIP C 1000PF K		
C202			CK73FB1H103K	CHIP C 0.010UF K		K2P2
C203			CK73FB1H102K	CHIP C 1000PF K		
C204			CK73FB1H103K	CHIP C 0.010UF K		
C205			CE04NWOJ221M	ELECTRØ 220UF 6.3WV		
C206			CK73FB1E223K	CHIP C 0.022UF K		
C207			CK73FB1H102K	CHIP C 1000PF K		
C208, 209			CC73FCH1H330J	CHIP C 33PF J		
C210, 211			CK73FB1H103K	CHIP C 0.010UF K		
C212-214			CC73FSL1H101J	CHIP C 100PF J		
C215-217			CK73FB1H102K	CHIP C 1000PF K		
C219, 220			CK73FB1H103K	CHIP C 0.010UF K		
TC1			C05-0349-05	TRIMMING 10PF		
CN1			E40-3237-05	PIN CONNECTØR(INT.SP)		
CN2			E40-5182-05	PIN CONNECTØR(DRU)		
CN3 , 4			E40-5202-05	PIN CONNECTØR(TR)		

L:Scandinavia

K:USA

P:Canada

Y:PX(Far East, Hawaii)

T:England

E:Europe

Y:AAFES(Europe)

X:Australia

M:Other Areas

TM-241A : (K,P,X,M,M2,M3,K2,P2)

TM-241E : (E,E2,E9,EM)

⚠ indicates safety critical components.

PARTS LIST

× New Parts

Parts without Parts No. are not supplied.

Les articles non mentionnés dans le Parts No. ne sont pas fournis.

Teile ohne Parts No. werden nicht geliefert.

TX-RX UNIT (X57-369X-XX)

Ref. No. 参照番号	Address 位置	New Parts 新	Parts No. 部品番号	Description 部品名 / 規格	Desti- nation 仕 向	Re- marks 備考
CN5 CN201, 202 CN203 CN204 CN205			E40-5183-05 E40-5203-05 E40-5185-05 E40-5187-05 E40-5341-05	PIN CONNECTOR(DTM) PIN CONNECTOR(CONT) PIN CONNECTOR(DRU) PIN CONNECTOR(DRU) PIN CONNECTOR		
J1 J201 TP1, 2 W1 W201			E11-0425-05 E06-0860-05 E23-0465-05 E33-1902-05 E31-6003-15	EXT SP JACK MIC RECEPTACLE TEST TERMINAL FINISHED WIRE SET(HET) CONNECTING WIRE(CTCSS)		
W202 W202 W202			E33-1871-15 E33-1871-15 E33-1871-15	FINISHED WIRE SET FINISHED WIRE SET FINISHED WIRE SET	KPMEX EM, E9 K2P2	
			J30-0564-05 J31-0534-05	SPACER COLLAR (LED)		
CD1 CF1 L1 -4 L5 L5			L79-1013-05 L72-0372-05 L34-4080-05 L34-0956-05 L34-0956-05	CERAMIC DISCRI(CDBM455C16) CERAMIC FILTER(CFWM455F) COIL COIL COIL	KPXMM2 M3EE9	
L5 L5 L6 L6 L6			L34-0956-05 L34-4113-05 L30-0005-05 L30-0005-05 L30-0005-05	COIL COIL COIL COIL COIL	EM, E2 K2P2 KPXMM2 M3EE9 EM, E2	
L6 L7 L8 L9 L10			L34-2157-05 L40-1001-48 L34-1239-05 L34-0895-05 L34-0742-05	COIL SMALL FIXED INDUCTOR(10UH) COIL COIL COIL	K2P2	
L11 L12, 13 L14 L15 L16			L34-0908-05 L34-0499-05 L40-3392-48 L34-0499-05 L40-1095-48	COIL COIL SMALL FIXED INDUCTOR(3.3UH) COIL SMALL FIXED INDUCTOR(1UH)	K2P2	
L17 X1 X1 X1 X1			L40-1892-19 L77-1473-05 L77-1473-05 L77-1473-05 L77-1312-05	SMALL FIXED INDUCTOR(1.8UH) CRYSTAL RESONATOR(10.245MHz) CRYSTAL RESONATOR(10.245MHz) CRYSTAL RESONATOR(10.245MHz) CRYSTAL RESONATOR(30.37MHz)	K2P2 KPXMM2 M3EE9 EM, E2 K2P2	
X2 X201 XF1 XF1 XF1			L77-1405-05 L77-1397-05 L71-0228-15 L71-0228-15 L71-0228-15	CRYSTAL RESONATOR(12.8MHz) CRYSTAL RESONATOR(4.194304MHz) CRYSTAL FILTER(10.7MHz) CRYSTAL FILTER(10.7MHz) CRYSTAL FILTER(10.7MHz)	KPXMM2 M3EE9 EM, E2	
XF1			L71-0270-05	CRYSTAL FILTER(30.825MHz)	K2P2	
R1 R1 R2 R2 R2			RK73FB2A682J RK73FB2A682J RK73FB2A223J RK73FB2A223J RK73FB2A223J	CHIP R 6.8K J 1/10W CHIP R 6.8K J 1/10W CHIP R 22K J 1/10W CHIP R 22K J 1/10W CHIP R 22K J 1/10W	KPX K2P2 KPXMM2 M3EE9 EM, E2	
R2 R3			R92-0670-05 RK73FB2A274J	CHIP R 0 OHM CHIP R 270K J 1/10W	K2P2 KPXMM2	

L:Scandinavia

Y:PX(Far East, Hawaii)

Y:AAFES(Europe)

K:USA

T:England

X:Australia

P:Canada

E:Europe

M:Other Areas

TM-241A : (K,P,X,M,M2,M3,K2,P2)

TM-241E : (E,E2,E9,EM)

△ indicates safety critical components.