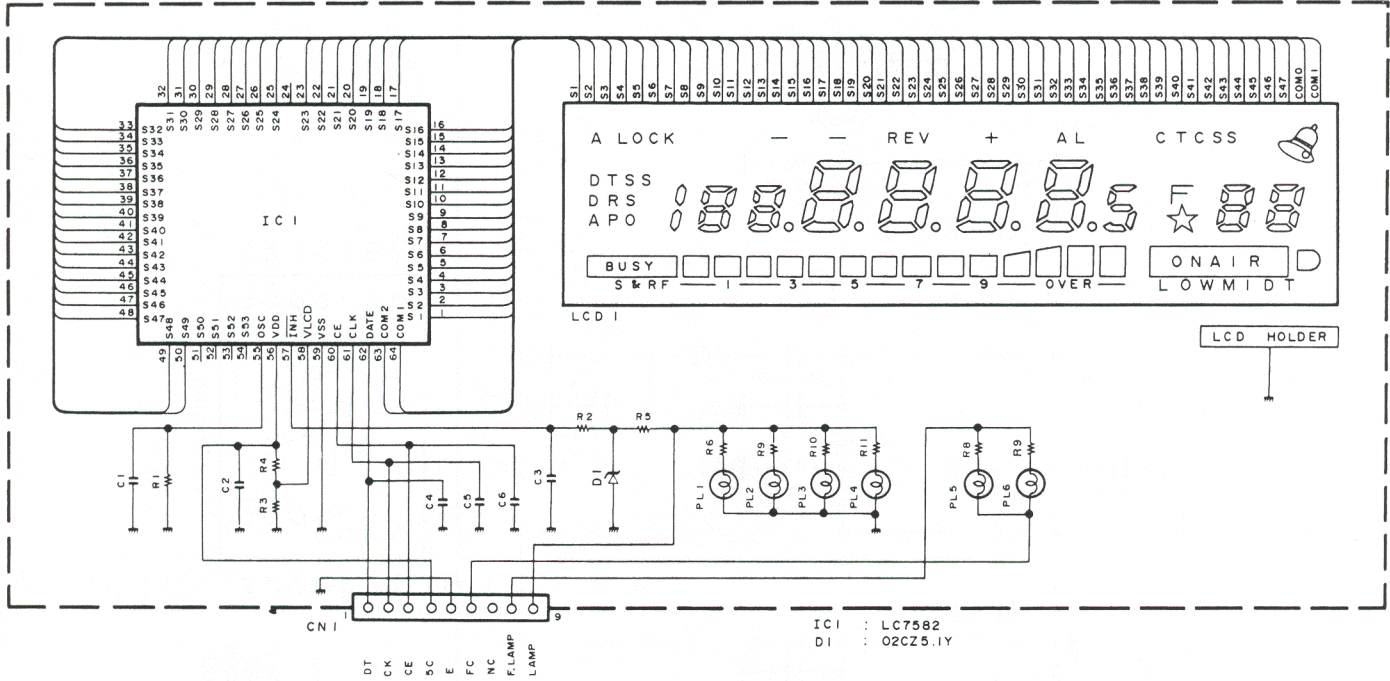


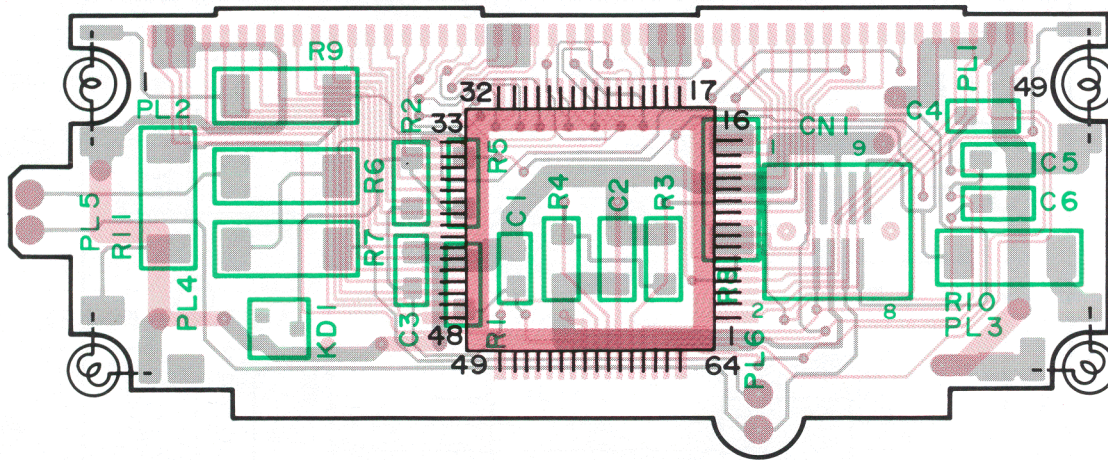
CIRCUIT DIAGRAM / PC BOARD VIEW

TM-241A/E

LCD ASS'Y (B38-0330-05)



LCD ASS'Y (B38-0330-05) Component side view



LC7582

