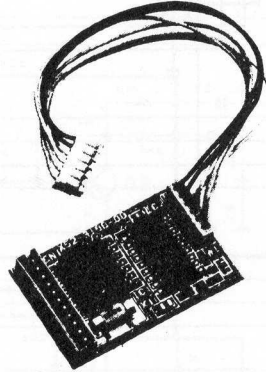


DTU-2 (DTMF UNIT)

DTU-2 EXTERNAL VIEW



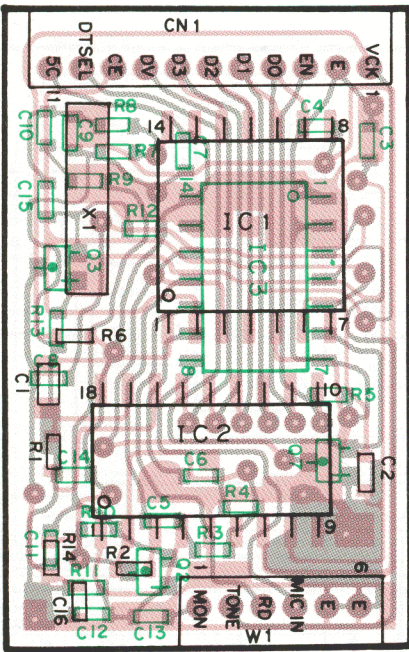
DTU-2 PARTS LIST

Re 5 No.	New Parts	Parts No.	Description
C1		CK73FB1E104K	Chip C 0.1 μ F K
C2		CC73GCH1H100D	Chip C 10 pF D
C3,4		CC73GCH1H330J	Chip C 33 pF J
C5~8, 10		CK73GB1E103K	Chip C 0.01 μ F K
C13~16		CK73GL1E103K	Chip C 0.01 μ F K
C9		CK73GB1E822K	Chip C 0.0082 μ F K
C11		CK73GB1E322K	Chip C 0.0033 μ F K
C12		CC73GSL1H101J	Chip C 100 pF J
W1		E37-0033-05	Connecting cable (6P)
		E40-5188-05	Pin ass'y socket (11P)
X1		L78-0301-05	CERAMIC RESONATOR (3.58MHz) or L78-0302-05
R1~14		RK73GB1JxxxJ	Chip R
Q1		DTC114EU	Digital transistor
Q2,3		2SC4116 (Y)	Digital transistor
IC1		TP5088WM	IC
IC2		LC7385M	IC
IC3		XRU4066BCF	IC or BU4066BCF

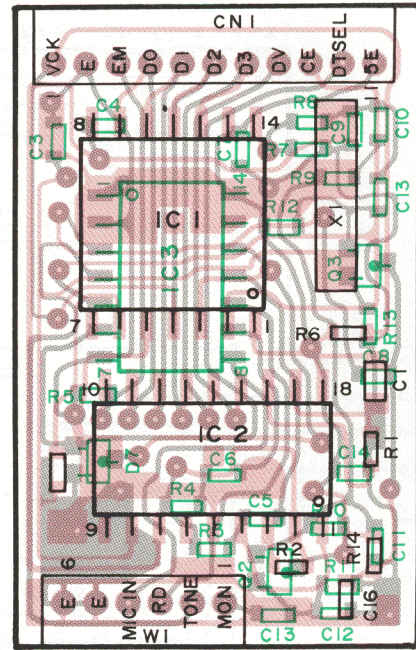
DTU-2 (DTMF UNIT)

DTU-2 PC BOARD

Component side view



Foil side view



DTU-2 SCHEMATIC DIAGRAM

