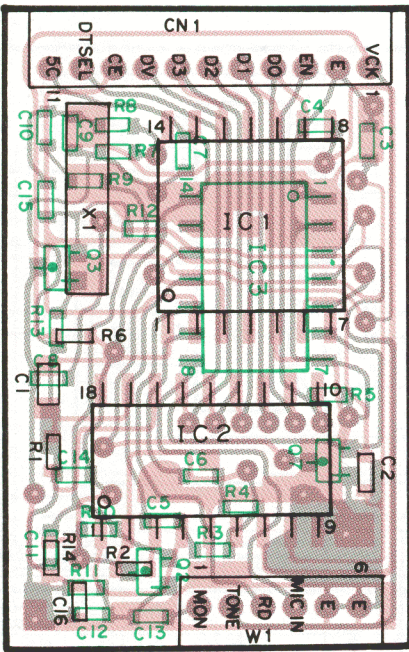


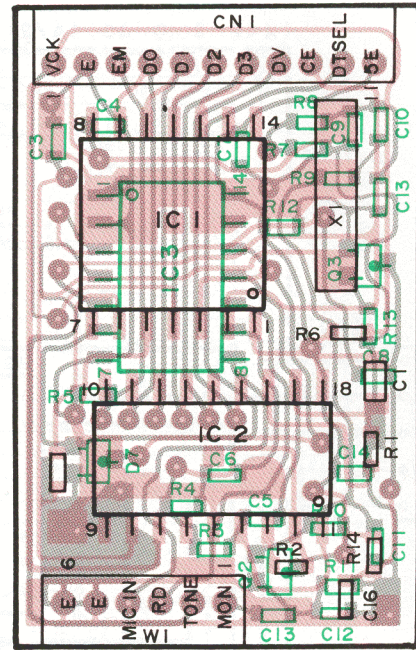
DTU-2 (DTMF UNIT)

DTU-2 PC BOARD

Component side view



Foil side view



DTU-2 SCHEMATIC DIAGRAM

