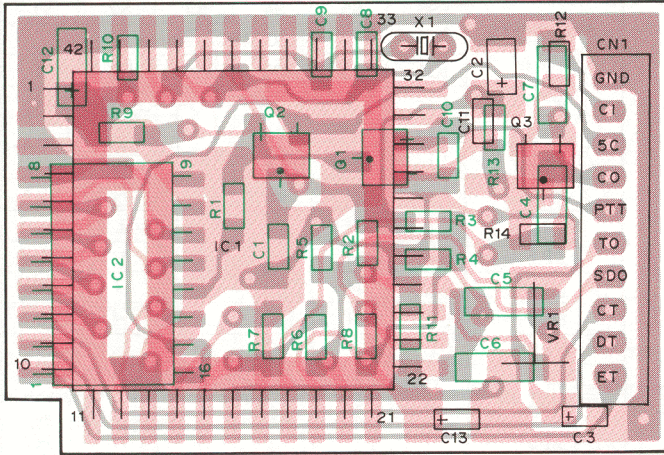


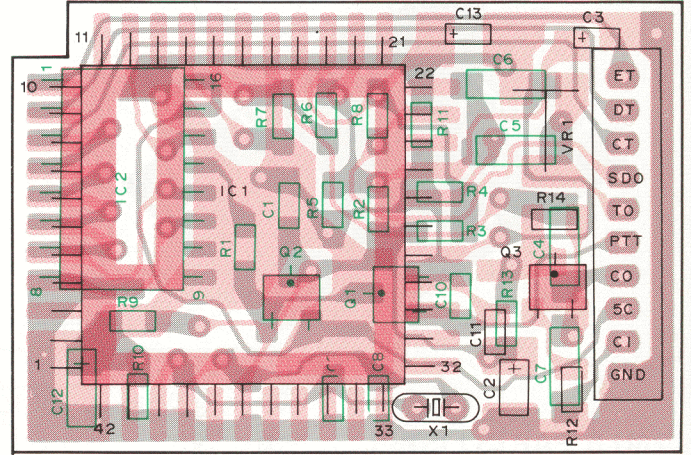
## TSU-6 (CTCSS UNIT)

### TSU-6 PC BOARD VIEWS

Component side view



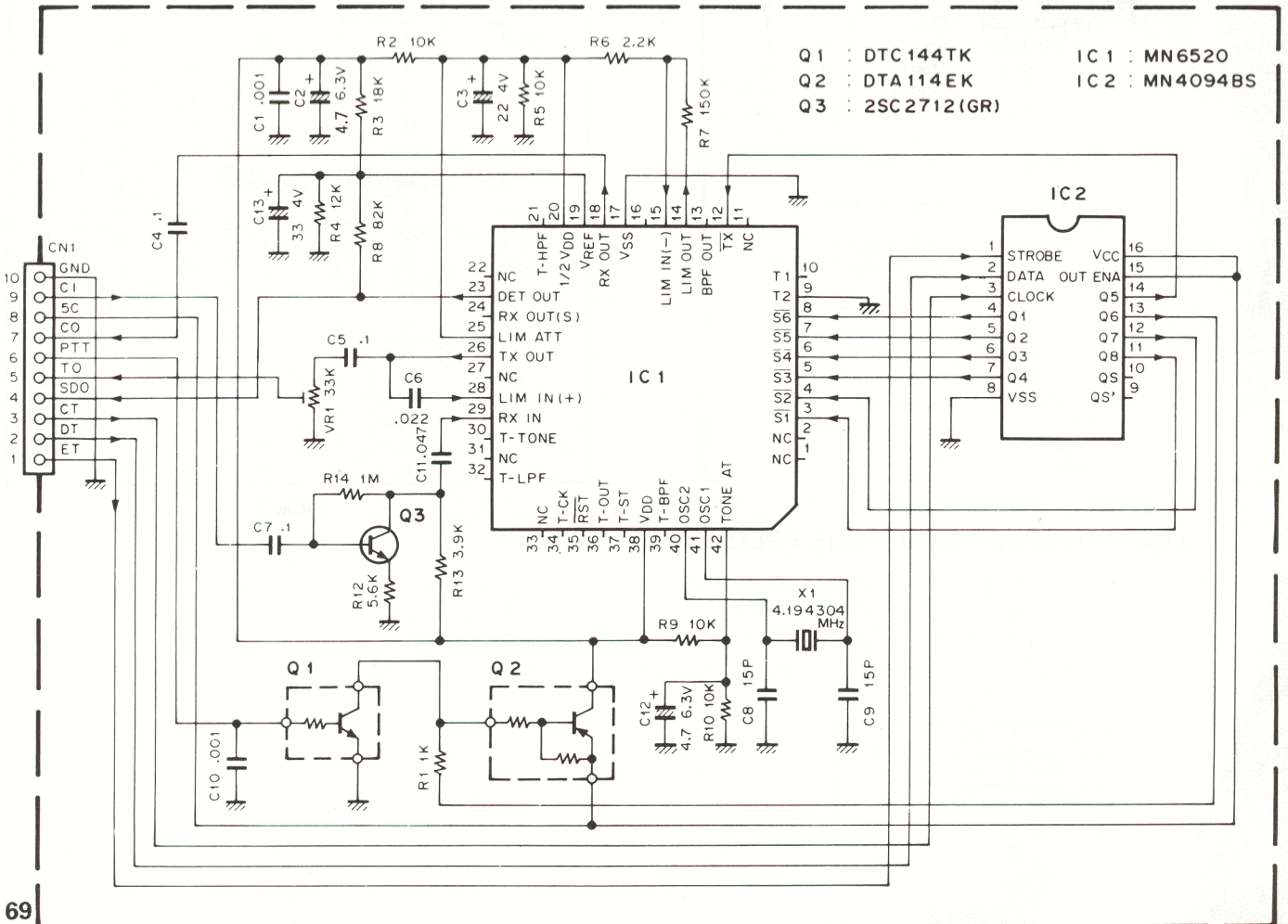
Foil side view



: Component side  
 : Foil side

### TSU-6 CIRCUIT DIAGRAM

#### CTCSS UNIT (X52-3100-00)



# TM-241A/E

## SPECIFICATIONS

### General

Frequency range .....	136 to 174MHz : TM-241A (M2,M3), TM-241E (E2) 144 to 148MHz : TM-241A (K,K2,P,P2,X,M) 144 to 146MHz : TM-241E (E,E9,EM)
Mode .....	F3E (FM)
Antenna impedance .....	50Ω
Power requirements .....	13.8V DC ± 15% (11.7 to 15.8V)
Ground .....	Negative
Frequency stability .....	Less than ±10ppm
Current drain .....	Transmit mode : Less than 11A      Receive mode with no signal : Less than 0.6A
Operating temperature .....	-20°C to +60°C (-4°F to +140°F)
Dimensions (W x H x D) .....	140 x 40 x 160 mm (5-1/2" x 1-37/64" x 6-19/64")
Projection included .....	140 x 40 x 172 mm (5-1/2" x 1-37/64" x 6-25/32")
Weight .....	1.2kg (2.65lbs)

### Transmitter

Output power* .....	HI : 50W    MID : Approx. 10W    LOW : Approx. 5W
Modulation .....	Reactance modulation
Spurious radiation .....	Less than -60dB
Maximum frequency deviation .....	±5kHz
Audio distortion (at 60% modulation) .....	Less than 3% (300 to 3000Hz)
Microphone impedance .....	600Ω

### Receiver

Circuitry .....	Double conversion superheterodyne
Intermediate frequency (1st/2nd) .....	10.7MHz/455kHz : TM-241A (K,P,X,M,M2,M3), TM-241E (E,E2,E9,EM) 30.825MHz/455kHz : TM-241A (K2,P2)
Sensitivity (12dB SINAD) .....	Less than 0.16μV : TM-241A (K,P,X,M,M2,M3), TM-241E (E,E2,E9,EM) Less than 0.22μV : TM-241A (K2,P2)
Selectivity .....	-6dB : More than 12kHz      -60dB : Less than 24kHz
Squelch sensitivity .....	Less than 0.1μV
Output (5% distortion) .....	More than 2W across 8Ω loads
External speaker impedance .....	8Ω

### Notes :

1. Circuit and ratings are subject to change without notice due to advancements in technology.
2. \*Recommended duty cycle : 1 minute transmit, 3 minutes reception.

## KENWOOD CORPORATION

14-6, Dogenzaka 1-chome, Shibuya-ku, Tokyo 150, Japan

### KENWOOD SERVICE CORPORATION

P.O. BOX 22745, 2201 East Dominguez Street, Long Beach, CA 90801-5745, U.S.A.

### KENWOOD ELECTRONICS DEUTSCHLAND GMBH

Rembrücker Str. 15, 6056 Heusenstamm, Germany

### KENWOOD ELECTRONICS BENELUX N.V.

Mechelsesteenweg 418 B-1930 Zaventem, Belgium

### TRIO-KENWOOD FRANCE S.A.

13, Boulevard Ney, 75018 Paris, France

### TRIO-KENWOOD U.K. LIMITED

KENWOOD House, Dwight Road, Watford, Herts., WD1 8EB United Kingdom

### KENWOOD ELECTRONICS NEDERLAND B.V.

Amsterdamseseweg 35, 1422 AC Uithoorn, The Netherlands

### KENWOOD ELECTRONICS ITALIA S.p.A.

Via G. Sirtori, 7/9 20129 Milano, Italy

### KENWOOD ESPAÑA S.A.

Bolivia, 239-08020 Barcelona, Spain

### KENWOOD ELECTRONICS AUSTRALIA PTY. LTD.

(A.C.N. 001 499 074)

P.O. Box 504, 8 Figtree Drive, Australia Centre, Homebush, N.S.W. 2140, Australia

### KENWOOD & LEE ELECTRONICS, LTD.

Unit 3712-3724, Level 37, Tower one Metroplaza, 223 Hing Fong Road, Kwai Fong, N.T., Hong Kong

### KENWOOD ELECTRONICS CANADA INC.

6070 Kestrel Road, Mississauga, Ontario, Canada L5T 1S8