

Metal sheet thickness:

Abt: 1.2 mm to 1.3 mm Fer Iron

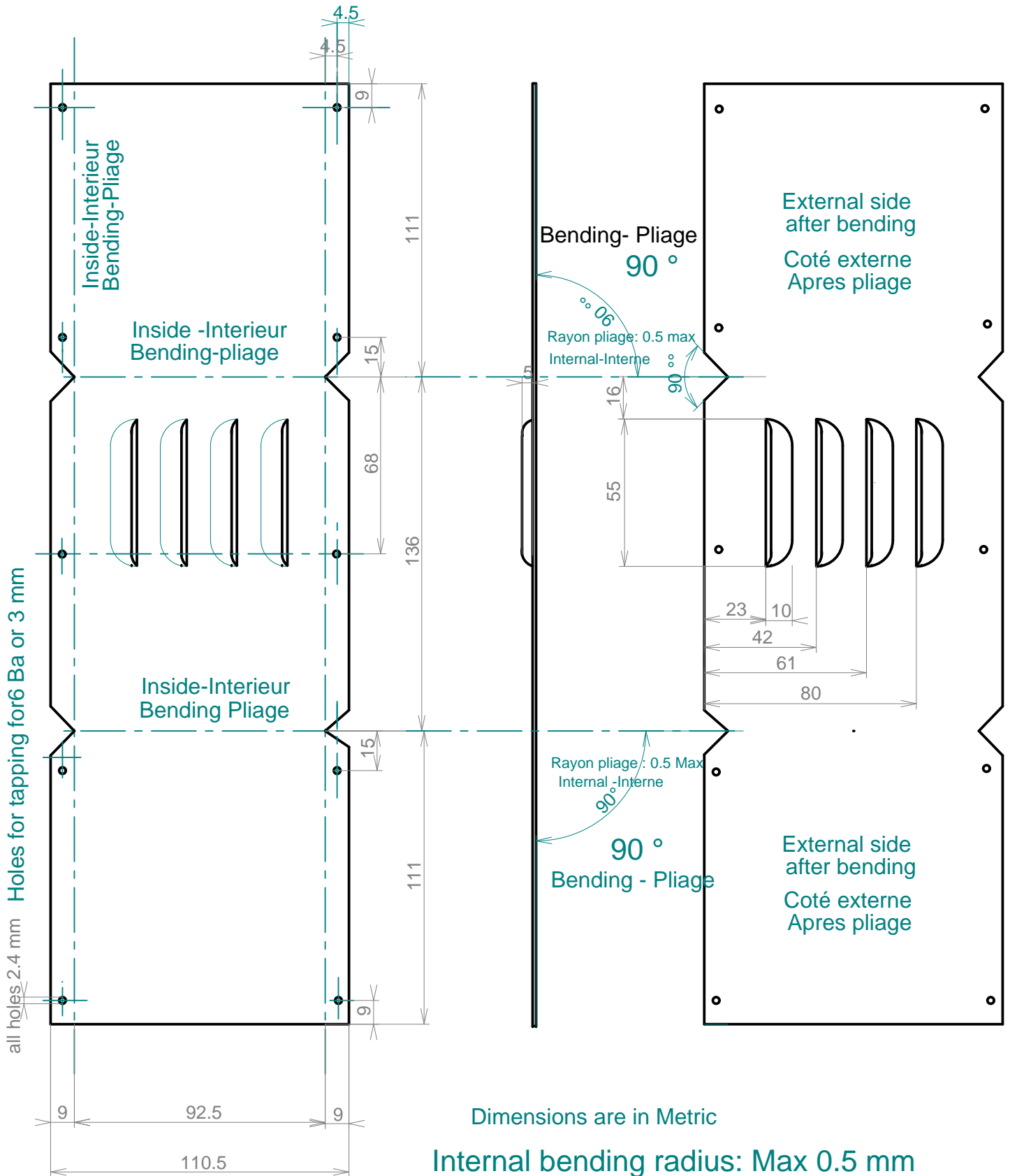
Internal bending radius: Max 0.5 mm  
**FRONT PANEL BOX- BOITE PANNEAU**

**DRAWING N° 1**

**PARASET MAINS SUPPLY METAL BOX**

Drawing prior bending  
 Dessin avant pliage

FEJU 10-2009



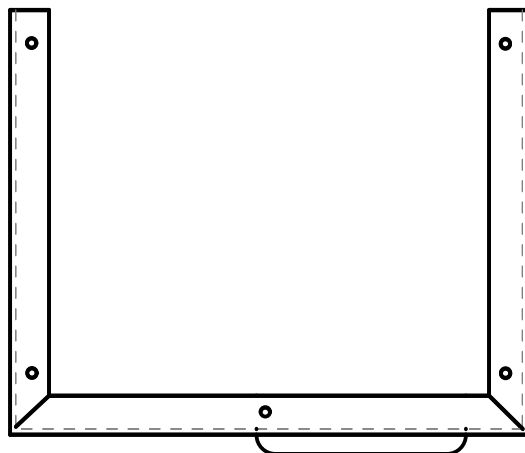
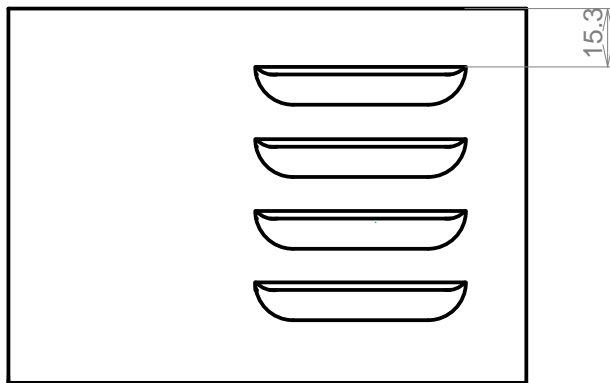
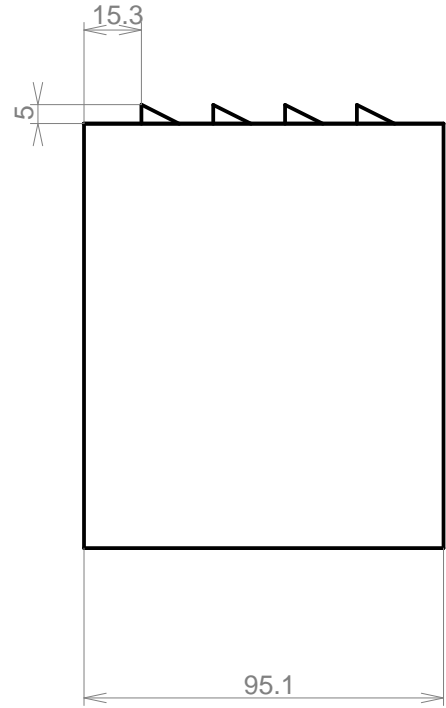
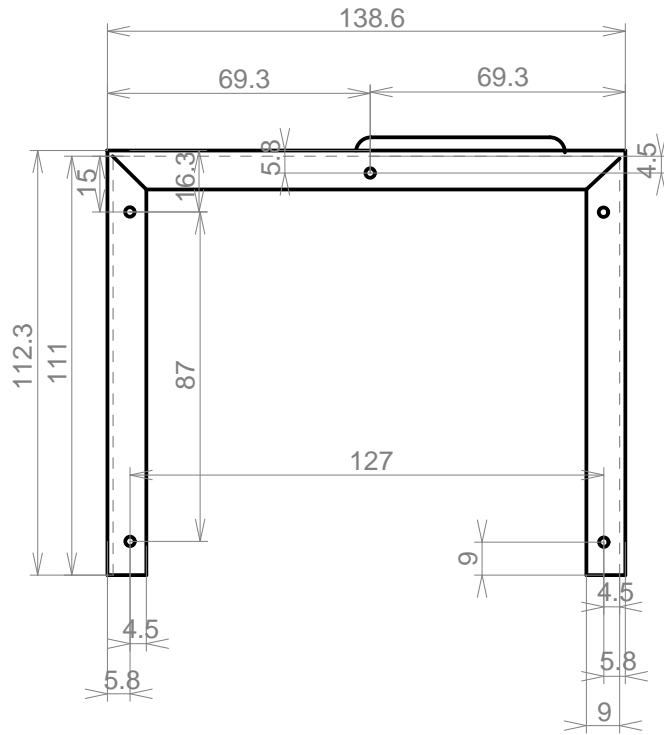
Metal sheet thickness:

Iron Fer : 1.3 mm to 1.2 mm

**PARASET MAIN SUPPLY METAL BOX**

**DRAWING N° 2**

Drawing prior bending F6EJU 10- 2009

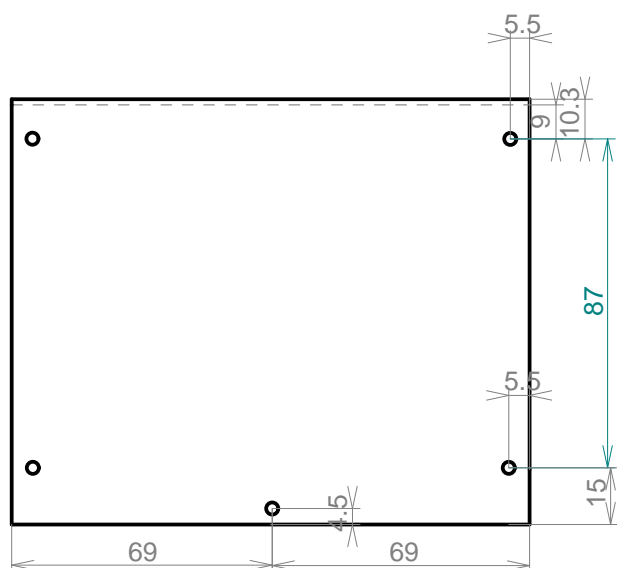
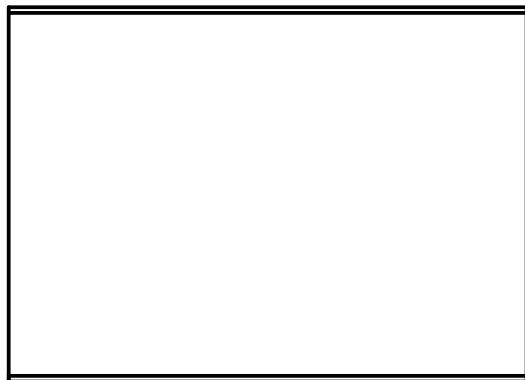
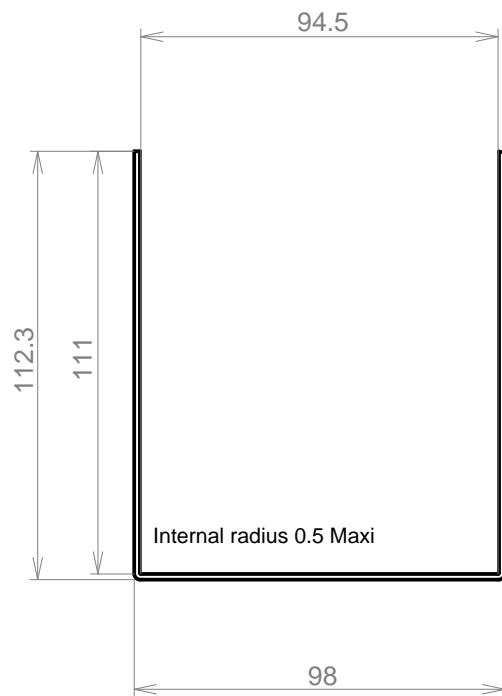
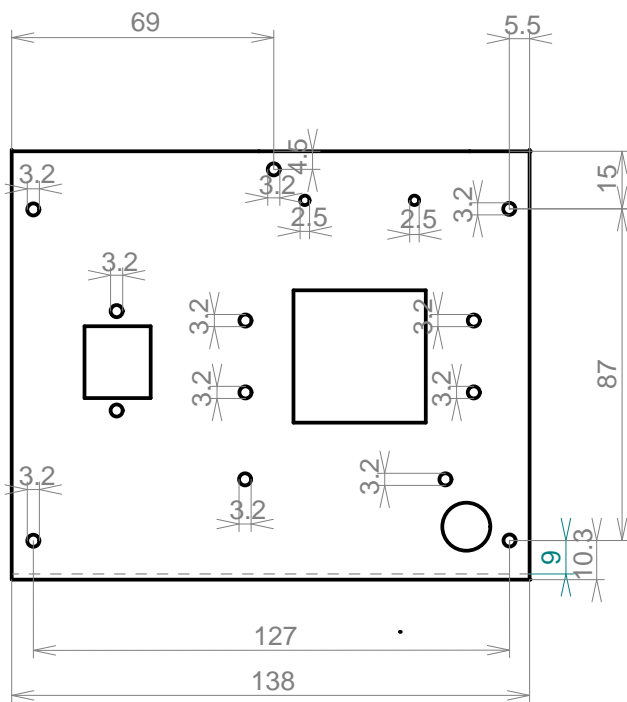


ALL DIMENSIONS ARE IN METRIC  
European projection

part: COVER LOUVERED  
METAL THICKNESS: 1.3 to 1.2 mm  
F6EJU 10- 2009

SCALE 1/2

DRAWING N°: 3 PARASET MAINS SUPPLY METAL BOX



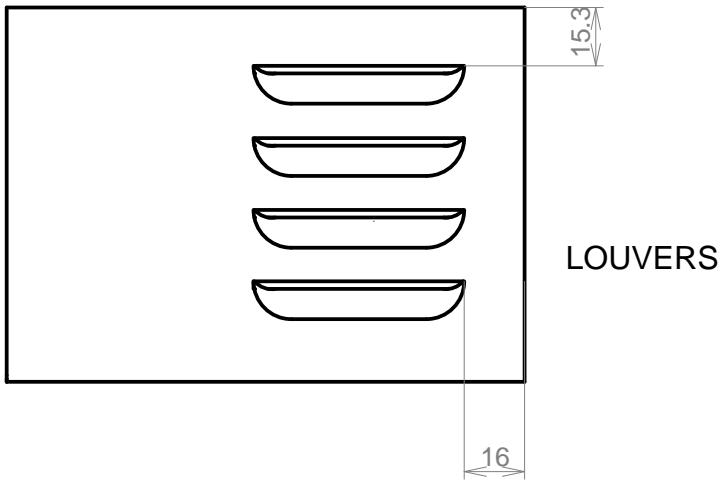
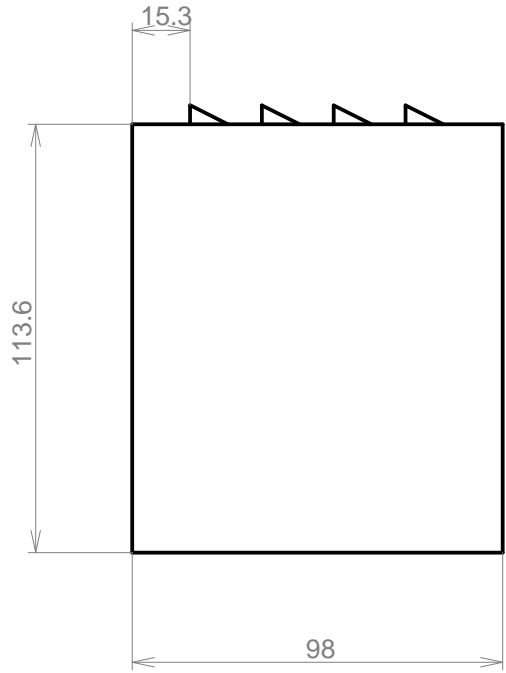
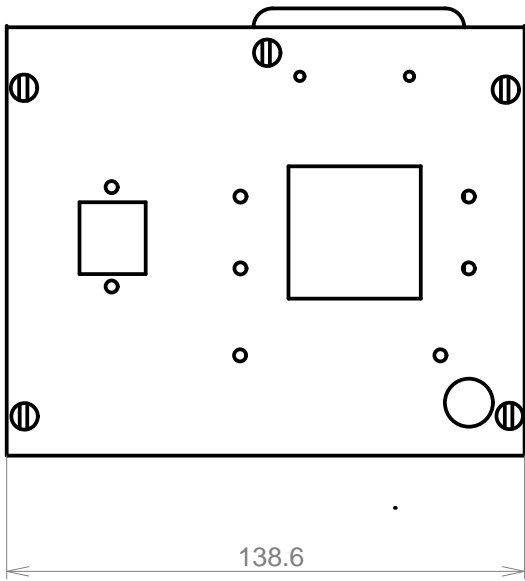
All dimensions are in Metric  
European projection

Transformer and tube fixation holes not designed

Transformer & Tube holder  
Support transfo et Tube

F6EJU 10-2009  
SCALE 1/2

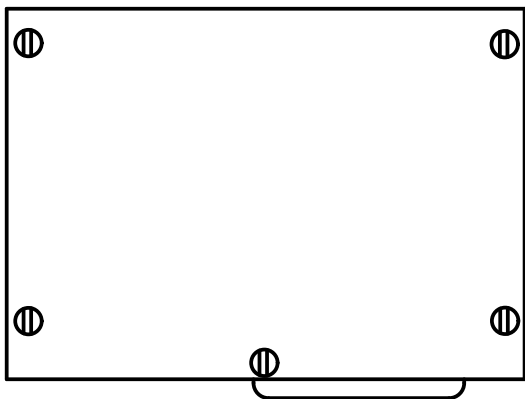
DRAWING N°: 4 PARASET MAINS SUPPLY METAL BOX



All dimensions are in Metric  
European projection

Transformer and tube fixation holes not designed

COVER AND BOX ASSEMBLED  
BOITE ET COUVERCLE ASSEMBLES



F6EJU 10-2009  
SCALE 1/2

DRAWING N° 5 PARASET MAINS SUPPLY METAL BOX