

12-3 Relations between Addresses and Data

With KG110, TX and RX units each contain one EP-ROM. As a result, TX data and RX data only are written into TX and RX, respectively.

(Example) CH1 = 460MHz

		TX ADDRESS															
		0	1	2	3	4	5	6	7	8	9	A	B	C	D	E	F
Channel #1/#2 address																	
Buffer input data		CH1								CH2							
		TX(A)	TX(N)	TX(R)	TX(A)	TX(N)	TX(R)	TX(A)	TX(N)	TX(R)	TX(A)	TX(N)	TX(R)	TX(A)	TX(N)	TX(R)	TX(R)
		00	00	01	03	02	0C	03	00	FF	FF	FF	FF	FF	FF	FF	FF
Channel #3/#4 address		10	11	12	13	14	15	16	17	18	19	1A	1B	1C	1D	1E	1F
Buffer input data		CH3								CH4							
		TX(A)	TX(N)	TX(R)	TX(A)	TX(N)	TX(R)	TX(A)	TX(N)	TX(R)	TX(A)	TX(N)	TX(R)	TX(A)	TX(N)	TX(R)	TX(R)
		FF	FF	FF	FF	FF	FF	FF	FF	FF	FF	FF	FF	FF	FF	FF	FF
Channel #5/#6 address																	
Channel #99 address		310	311	312	313	314	315	316	317	318	319	31A	31B	31C	31D	31E	31F
Buffer input data		CH99															
		TX(A)	TX(N)	TX(R)	TX(A)	TX(N)	TX(R)	TX(A)	TX(N)	TX(R)	TX(A)	TX(N)	TX(R)	TX(A)	TX(N)	TX(R)	TX(R)
		FF	FF	FF	FF	FF	FF	FF	FF	FF	FF	FF	FF	FF	FF	FF	FF

		RX ADDRESS															
		0	1	2	3	4	5	6	7	8	9	A	B	C	D	E	F
Channel #1/#2 address																	
Buffer input data		RX(A)	RX(N)	RX(R)	RX(A)	RX(N)	RX(R)	RX(A)	RX(N)	RX(R)	RX(A)	RX(N)	RX(R)	RX(A)	RX(N)	RX(R)	RX(R)
		00	00	04	02	02	0C	03	00	FF	FF	FF	FF	FF	FF	FF	FF
Channel #3/#4 address		10	11	12	13	14	15	16	17	18	19	1A	1B	1C	1D	1E	1F
Buffer input data		RX(A)	RX(N)	RX(R)	RX(A)	RX(N)	RX(R)	RX(A)	RX(N)	RX(R)	RX(A)	RX(N)	RX(R)	RX(A)	RX(N)	RX(R)	RX(R)
		FF	FF	FF	FF	FF	FF	FF	FF	FF	FF	FF	FF	FF	FF	FF	FF
Channel #5/#6 address		20	21	22	23	24	25	26	27	28	29	2A	2B	2C	2D	2E	2F
Channel #99 address		310	311	312	313	314	315	316	317	318	319	31A	31B	31C	31D	31E	31F
Buffer input data		RX(A)	RX(N)	RX(R)	RX(A)	RX(N)	RX(R)	RX(A)	RX(N)	RX(R)	RX(A)	RX(N)	RX(R)	RX(A)	RX(N)	RX(R)	RX(R)
		FF	FF	FF	FF	FF	FF	FF	FF	FF	FF	FF	FF	FF	FF	FF	FF

Note: An FF data input, though applied to the ROM in programming the ROM, fails to be written into it.

A - D CONVERSION LIST (1)

No.	Code	No.	Code	No.	Code	No.	Code	No.	Code	No.	Code	No.	Code	No.	Code
1	1 0	76	C 4	151	7 9	226	2 E	301	D 2 1	376	B 7 1	451	3 C 1	526	E 0 2
2	2 0	77	D 4	152	8 9	227	3 E	302	E 2 1	377	9 7 1	452	4 C 1	527	F 0 2
3	3 0	78	E 4	153	9 9	228	4 E	303	F 2 1	378	A 7 1	453	5 C 1	528	0 1 2
4	4 0	79	F 4	154	A 9	229	5 E	304	0 3 1	379	B 7 1	454	6 C 1	529	1 1 2
5	5 0	80	0 5	155	B 9	230	6 E	305	1 3 1	380	C 7 1	455	7 C 1	530	2 1 2
6	6 0	81	1 5	156	C 9	231	7 E	306	2 3 1	381	D 7 1	456	8 C 1	531	3 1 2
7	7 0	82	2 5	157	D 9	232	8 E	307	3 3 1	382	E 7 1	457	9 C 1	532	4 1 2
8	8 0	83	3 5	158	E 9	233	9 E	308	4 3 1	383	F 7 1	458	A C 1	533	5 1 2
9	9 0	84	4 5	159	F 9	234	A E	309	5 3 1	384	0 8 1	459	B C 1	534	6 1 2
10	A 0	85	5 5	160	0 A	235	B E	310	6 3 1	385	1 8 1	460	C C 1	535	7 1 2
11	B 0	86	6 5	161	1 A	236	C E	311	7 3 1	386	2 8 1	461	D C 1	536	8 1 2
12	C 0	87	7 5	162	2 A	237	D E	312	8 3 1	387	3 8 1	462	E C 1	537	9 1 2
13	D 0	88	8 5	163	3 A	238	E E	313	9 3 1	388	4 8 1	463	F C 1	538	A 1 2
14	E 0	89	9 5	164	4 A	239	F E	314	A 3 1	389	5 8 1	464	0 D 1	539	D 1 2
15	F 0	90	A 5	165	5 A	240	0 F	315	B 3 1	390	6 8 1	465	1 D 1	540	C 1 2
16	0 1	91	B 5	166	6 A	241	1 F	316	C 3 1	391	7 8 1	466	2 D 1	541	D 1 2
17	1 1	92	C 5	167	7 A	242	2 F	317	D 3 1	392	8 8 1	467	3 D 1	542	E 1 2
18	2 1	93	D 5	168	8 A	243	3 F	318	E 3 1	393	9 8 1	468	4 D 1	543	F 1 2
19	3 1	94	E 5	169	9 A	244	4 F	319	F 3 1	394	A 8 1	469	5 D 1	544	0 2 2
20	4 1	95	F 5	170	A A	245	5 F	320	0 4 1	395	B 8 1	470	6 D 1	545	1 2 2
21	5 1	96	0 6	171	B A	246	6 F	321	1 4 1	396	C 8 1	471	7 D 1	546	2 2 2
22	6 1	97	1 6	172	C A	247	7 F	322	2 4 1	397	D 8 1	472	8 D 1	547	3 2 2
23	7 1	98	2 6	173	D A	248	8 F	323	3 4 1	398	E 8 1	473	9 D 1	548	4 2 2
24	8 1	99	3 6	174	E A	249	9 F	324	4 4 1	399	F 8 1	474	A D 1	549	5 2 2
25	9 1	100	4 6	175	F A	250	A F	325	5 4 1	400	0 9 1	475	B D 1	550	6 2 2
26	A 1	101	5 6	176	0 B	251	B F	326	6 4 1	401	1 9 1	476	C D 1	551	7 2 2
27	B 1	102	6 6	177	1 B	252	C F	327	7 4 1	402	2 9 1	477	D D 1	552	8 2 2
28	C 1	103	7 6	178	2 B	253	D F	328	8 4 1	403	3 9 1	478	E D 1	553	9 2 2
29	D 1	104	8 6	179	3 B	254	E F	329	9 4 1	404	4 9 1	479	F D 1	554	A 2 2
30	E 1	105	9 6	180	4 B	255	F F	330	A 4 1	405	5 9 1	480	0 E 1	555	B 2 2
31	F 1	106	A 6	181	5 B	256	0 0 1	331	B 4 1	406	6 9 1	481	1 E 1	556	C 2 2
32	0 2	107	B 6	182	6 B	257	1 0 1	332	C 4 1	407	7 9 1	482	2 E 1	557	D 2 2
33	1 2	108	C 6	183	7 B	258	2 0 1	333	D 4 1	408	8 9 1	483	3 E 1	558	E 2 2
34	2 2	109	D 6	184	8 B	259	3 0 1	334	E 4 1	409	9 9 1	484	4 E 1	559	F 2 2
35	3 2	110	E 6	185	9 B	260	4 0 1	335	F 4 1	410	A 9 1	485	5 E 1	560	0 3 2
36	4 2	111	F 6	186	A B	261	5 0 1	336	0 5 1	411	B 9 1	486	6 E 1	561	1 3 2
37	5 2	112	0 7	187	B B	262	6 0 1	337	1 5 1	412	C 9 1	487	7 E 1	562	2 3 2
38	6 2	113	1 7	188	C B	263	7 0 1	338	2 5 1	413	D 9 1	488	8 E 1	563	3 3 2
39	7 2	114	2 7	189	D B	264	8 0 1	339	3 5 1	414	E 9 1	489	9 E 1	564	4 3 2
40	8 2	115	3 7	190	E B	265	9 0 1	340	4 5 1	415	F 9 1	490	A E 1	565	5 3 2
41	9 2	116	4 7	191	F B	266	A 0 1	341	5 5 1	416	0 A 1	491	B E 1	566	6 3 2
42	A 2	117	5 7	192	0 C	267	B 0 1	342	6 5 1	417	1 A 1	492	C E 1	567	7 3 2
43	B 2	118	6 7	193	1 C	268	C 0 1	343	7 5 1	418	2 A 1	493	D E 1	568	8 3 2
44	C 2	119	7 7	194	2 C	269	D 0 1	344	8 5 1	419	3 A 1	494	E E 1	569	9 3 2
45	D 2	120	8 7	195	3 C	270	E 0 1	345	9 5 1	420	4 A 1	495	F E 1	570	A 3 2
46	E 2	121	9 7	196	4 C	271	F 0 1	346	A 5 1	421	5 A 1	496	0 F 1	571	B 3 2
47	F 2	122	A 7	197	5 C	272	0 1 1	347	B 5 1	422	6 A 1	497	1 F 1	572	C 3 2
48	0 3	123	B 7	198	6 C	273	1 1 1	348	C 5 1	423	7 A 1	498	2 F 1	573	D 3 2
49	1 3	124	C 7	199	7 C	274	2 1 1	349	D 5 1	424	8 A 1	499	3 F 1	574	E 3 2
50	2 3	125	D 7	200	8 C	275	3 1 1	350	E 5 1	425	9 A 1	500	4 F 1	575	F 3 2
51	3 3	126	E 7	201	9 C	276	4 1 1	351	F 5 1	426	A A 1	501	5 F 1	576	0 4 2
52	4 3	127	F 7	202	A C	277	5 1 1	352	0 6 1	427	B A 1	502	6 F 1	577	1 4 2
53	5 3	128	0 8	203	B C	278	6 1 1	353	1 6 1	428	C A 1	503	7 F 1	578	2 4 2
54	6 3	129	1 8	204	C C	279	7 1 1	354	2 6 1	429	D A 1	504	8 F 1	579	3 4 2
55	7 3	130	2 8	205	D C	280	8 1 1	355	3 6 1	430	E A 1	505	9 F 1	580	4 4 2
56	8 3	131	3 8	206	E C	281	9 1 1	356	4 6 1	431	F A 1	506	A F 1	581	5 4 2
57	9 3	132	4 8	207	F C	282	A 1 1	357	5 6 1	432	0 B 1	507	B F 1	582	6 4 2
58	A 3	133	5 8	208	0 D	283	B 1 1	358	6 6 1	433	1 B 1	508	C F 1	583	7 4 2
59	B 3	134	6 8	209	1 D	284	C 1 1	359	7 6 1	434	2 B 1	509	D F 1	584	8 4 2
60	C 3	135	7 8	210	2 D	285	D 1 1	360	8 6 1	435	3 B 1	510	E F 1	585	9 4 2
61	D 3	136	8 8	211	3 D	286	E 1 1	361	9 6 1	436	4 B 1	511	F F 1	586	A 4 2
62	E 3	137	9 8	212	4 D	287	F 1 1	362	A 6 1	437	5 B 1	512	0 0 2	587	B 4 2
63	F 3	138	A 8	213	5 D	288	0 2 1	363	B 6 1	438	6 B 1	513	1 0 2	588	C 4 2
64	0 4	139	B 8	214	6 D	289	1 2 1	364	C 6 1	439	7 B 1	514	2 0 2	589	D 4 2
65	1 4	140	C 8	215	7 D	290	2 2 1	365	D 6 1	440	8 B 1	515	3 0 2	590	E 4 2
66	2 4	141	D 8	216	8 D	291	3 2 1	366	E 6 1	441	9 B 1	516	4 0 2	591	F 4 2
67	3 4	142	E 8	217	9 D	292	4 2 1	367	F 6 1	442	A 0 1	517	5 0 2	592	0 5 2
68	4 4	143	F 8	218	A D	293	5 2 1	368	0 7 1	443	B 0 1	518	6 0 2	593	1 5 2
69	5 4	144	0 9	219	B D	294	6 2 1	369	1 7 1	444	C 0 1	519	7 0 2	594	2 5 2
70	6 4	145	1 9	220	C D	295	7 2 1	370	2 7 1	445	D 0 1	520	8 0 2	595	3 5 2
71	7 4	146	2 9	221	D D	296	8 2 1	371	3 7 1	446	E 0 1	521	9 0 2	596	4 5 2
72	8 4	147	3 9	222	E D	297	9 2 1	372	4 7 1	447	F 0 1	522	A 0 2	597	5 5 2
73	9 4	148	4 9	223	F D	298	A 2 1	373	5 7 1	448	0 C 1	523	0 0 2	598	6 5 2
74	A 4	149	5 9	224	0 E	299	B 2 1	374	6 7 1	449	1 C 1	524	C 0 2	599	7 5 2
75	B 4	150	6 9	225	1 E	300	C 2 1	375	7 7 1	450	2 C 1	525	D 0 2	600	8 5 2

0-75

76-150

151-225

226-300

301-375

376-450

451-525

526-600

A - D CONVERSION LIST (2)

No.	Code	No.	Code	No.	Code	No.	Code	No.	Code	No.	Code
601	9 5 2	676	4 A 2	751	F E 2	826	A 3 3	901	5 8 3	976	0 0 3
602	A 5 2	677	5 A 2	752	O F 2	827	8 3 3	902	6 8 3	977	1 0 3
603	B 5 2	678	6 A 2	753	1 F 2	828	C 3 3	903	7 8 3	978	2 0 3
604	C 5 2	679	7 A 2	754	2 F 2	829	D 3 3	904	8 8 3	979	3 0 3
605	D 5 2	680	8 A 2	755	3 F 2	830	E 3 3	905	9 8 3	980	4 0 3
606	C 5 2	681	9 A 2	756	4 F 2	831	F 3 3	906	A 8 3	981	5 0 3
607	F 5 2	682	A A 2	757	5 F 2	832	O 4 3	907	B 8 3	982	6 0 3
608	O 6 2	683	B A 2	758	6 F 2	833	1 4 3	908	C 8 3	983	7 0 3
609	1 6 2	684	C A 2	759	7 F 2	834	2 4 3	909	D 8 3	984	8 0 3
610	2 6 2	685	D A 2	760	8 F 2	835	3 4 3	910	E 8 3	985	9 0 3
611	3 6 2	686	E A 2	761	9 F 2	836	4 4 3	911	F 8 3	986	A 0 3
612	4 6 2	687	F A 2	762	A F 2	837	5 4 3	912	O 9 3	987	B 0 3
613	5 6 2	688	O B 2	763	B F 2	838	6 4 3	913	1 9 3	988	C 0 3
614	6 6 2	689	1 B 2	764	C F 2	839	7 4 3	914	2 9 3	989	D 0 3
615	7 6 2	690	2 B 2	765	D F 2	840	8 4 3	915	3 9 3	990	E 0 3
616	8 6 2	691	3 B 2	766	E F 2	841	9 4 3	916	4 9 3	991	F 0 3
617	9 6 2	692	4 B 2	767	F F 2	842	A 4 3	917	5 9 3	992	O E 3
618	A 6 2	693	5 B 2	768	O 0 3	843	B 4 3	918	6 9 3	993	1 E 3
619	B 6 2	694	6 B 2	769	1 0 3	844	C 4 3	919	7 9 3	994	2 E 3
620	C 6 2	695	7 B 2	770	2 0 3	845	D 4 3	920	8 9 3	995	3 E 3
621	D 6 2	696	8 B 2	771	3 0 3	846	E 4 3	921	9 9 3	996	4 E 3
622	E 6 2	697	9 B 2	772	4 0 3	847	F 4 3	922	A 9 3	997	5 E 3
623	F 6 2	698	A B 2	773	5 0 3	848	O 5 3	923	8 9 3	998	6 E 3
624	O 7 2	699	B B 2	774	6 0 3	849	1 5 3	924	C 9 3	999	7 E 3
625	1 7 2	700	C B 2	775	7 0 3	850	2 5 3	925	D 9 3	1000	8 E 3
626	2 7 2	701	D B 2	776	8 0 3	851	3 5 3	926	E 9 3		
627	3 7 2	702	E B 2	777	9 0 3	852	4 5 3	927	F 9 3		
628	4 7 2	703	F B 2	778	A 0 3	853	5 5 3	928	O A 3		
629	5 7 2	704	O C 2	779	8 0 3	854	6 5 3	929	1 A 3		
630	6 7 2	705	1 C 2	780	C 0 3	855	7 5 3	930	2 A 3		
631	7 7 2	706	2 C 2	781	D 0 3	856	8 5 3	931	3 A 3		
632	8 7 2	707	3 C 2	782	E 0 3	857	9 5 3	932	4 A 3		
633	9 7 2	708	4 C 2	783	F 0 3	858	A 5 3	933	5 A 3		
634	A 7 2	709	5 C 2	784	O 1 3	859	B 5 3	934	6 A 3		
635	B 7 2	710	6 C 2	785	1 1 3	860	C 5 3	935	7 A 3		
636	C 7 2	711	7 C 2	786	2 1 3	861	D 5 3	936	8 A 3		
637	D 7 2	712	8 C 2	787	3 1 3	862	E 5 3	937	9 A 3		
638	E 7 2	713	9 C 2	788	4 1 3	863	F 5 3	938	A A 3		
639	F 7 2	714	A C 2	789	5 1 3	864	O 6 3	939	B A 3		
640	O 8 2	715	B C 2	790	6 1 3	865	1 6 3	940	C A 3		
641	1 8 2	716	C C 2	791	7 1 3	866	2 6 3	941	D A 3		
642	2 8 2	717	D C 2	792	8 1 3	867	3 6 3	942	E A 3		
643	3 8 2	718	E C 2	793	9 1 3	868	4 6 3	943	F A 3		
644	4 8 2	719	F C 2	794	A 1 3	869	5 6 3	944	O B 3		
645	5 8 2	720	O D 2	795	B 1 3	870	6 6 3	945	1 B 3		
646	6 8 2	721	1 D 2	796	C 1 3	871	7 6 3	946	2 B 3		
647	7 8 2	722	2 D 2	797	D 1 3	872	8 6 3	947	3 B 3		
648	8 8 2	723	3 D 2	798	E 1 3	873	9 6 3	948	4 B 3		
649	9 8 2	724	4 D 2	799	F 1 3	874	A 6 3	949	5 B 3		
650	A 8 2	725	5 D 2	800	O 2 3	875	B 6 3	950	6 B 3		
651	D 8 2	726	6 D 2	801	1 2 3	876	C 6 3	951	7 B 3		
652	C 8 2	727	7 D 2	802	2 2 3	877	D 6 3	952	8 B 3		
653	O 8 2	728	8 D 2	803	3 2 3	878	E 6 3	953	9 B 3		
654	E 8 2	729	9 D 2	804	4 2 3	879	F 6 3	954	A B 3		
655	F 8 2	730	A D 2	805	5 2 3	880	O 7 3	955	B B 3		
656	O 9 2	731	B D 2	806	6 2 3	881	1 7 3	956	C B 3		
657	1 9 2	732	C D 2	807	7 2 3	882	2 7 3	957	D B 3		
658	2 9 2	733	D D 2	808	8 2 3	883	3 7 3	958	E B 3		
659	3 9 2	734	E D 2	809	9 2 3	884	4 7 3	959	F B 3		
660	4 9 2	735	F D 2	810	A 2 3	885	5 7 3	960	O C 3		
661	5 9 2	736	O E 2	811	B 2 3	886	6 7 3	961	1 C 3		
662	6 9 2	737	1 E 2	812	C 2 3	887	7 7 3	962	2 C 3		
663	7 9 2	738	2 E 2	813	D 2 3	888	8 7 3	963	3 C 3		
664	8 9 2	739	3 E 2	814	E 2 3	889	9 7 3	964	4 C 3		
665	9 9 2	740	4 E 2	815	F 2 3	890	A 7 3	965	5 C 3		
666	A 9 2	741	5 E 2	816	O 3 3	891	O 7 3	966	6 C 3		
667	B 9 2	742	6 E 2	817	1 3 3	892	C 7 3	967	7 C 3		
668	C 9 2	743	7 E 2	818	2 3 3	893	D 7 3	968	8 C 3		
669	D 9 2	744	8 E 2	819	3 3 3	894	E 7 3	969	9 C 3		
670	E 9 2	745	9 E 2	820	4 3 3	895	F 7 3	970	A C 3		
671	F 9 2	746	A E 2	821	5 3 3	896	O 8 3	971	B C 3		
672	O A 2	747	B E 2	822	6 3 3	897	1 8 3	972	C C 3		
673	1 A 2	748	C E 2	823	7 3 3	898	2 8 3	973	D C 3		
674	2 A 2	749	D E 2	824	8 3 3	899	3 8 3	974	E C 3		
675	3 A 2	750	E E 2	825	9 3 3	900	4 8 3	975	F C 3		
601-675		676-750		751-825		826-900		901-975		976-1000	

***#	VHF TX PROGRAM							VHF RX PROGRAM								
	0	1	2	3	4	5	6	7	0	1	2	3	4	5	6	7
F (MHz)	8	9	A	B	C	D	E	F	8	9	A	B	C	D	E	F
136.000	00	00	04	05	01	08	07	00	00	0F	08	00	0C	03	00	00
136.025	04	00	04	05	01	08	07	00	02	00	0F	08	00	0C	03	00
136.050	08	00	04	05	01	08	07	00	04	00	0F	08	00	0C	03	00
136.075	0C	00	04	05	01	08	07	00	06	00	0F	08	00	0C	03	00
136.100	00	01	04	05	01	08	07	00	08	00	0F	08	00	0C	03	00
136.125	04	01	04	05	01	08	07	00	0A	00	0F	08	00	0C	03	00
136.150	08	01	04	05	01	08	07	00	0C	00	0F	08	00	0C	03	00
136.175	0C	01	04	05	01	08	07	00	0E	00	0F	08	00	0C	03	00
136.200	00	02	04	05	01	08	07	00	00	01	0F	08	00	0C	03	00
136.225	04	02	04	05	01	08	07	00	02	01	0F	08	00	0C	03	00
136.250	08	02	04	05	01	08	07	00	04	01	0F	08	00	0C	03	00
136.275	0C	02	04	05	01	08	07	00	06	01	0F	08	00	0C	03	00
136.300	00	03	04	05	01	08	07	00	08	01	0F	08	00	0C	03	00
136.325	04	03	04	05	01	08	07	00	0A	01	0F	08	00	0C	03	00
136.350	08	03	04	05	01	08	07	00	0C	01	0F	08	00	0C	03	00
136.375	0C	03	04	05	01	08	07	00	0E	01	0F	08	00	0C	03	00
136.400	00	05	05	01	08	07	00	00	00	02	0F	08	00	0C	03	00
136.425	04	00	05	05	01	08	07	00	02	02	0F	08	00	0C	03	00
136.450	08	00	05	05	01	08	07	00	04	02	0F	08	00	0C	03	00
136.475	0C	00	05	05	01	08	07	00	06	02	0F	08	00	0C	03	00
136.500	00	01	05	05	01	08	07	00	08	02	0F	08	00	0C	03	00
136.525	04	01	05	05	01	08	07	00	0A	02	0F	08	00	0C	03	00
136.550	08	01	05	05	01	08	07	00	0C	02	0F	08	00	0C	03	00
136.575	0C	01	05	05	01	08	07	00	0E	02	0F	08	00	0C	03	00
136.600	00	02	05	05	01	08	07	00	00	03	0F	08	00	0C	03	00
136.625	04	02	05	05	01	08	07	00	02	03	0F	08	00	0C	03	00
136.650	08	02	05	05	01	08	07	00	04	03	0F	08	00	0C	03	00
136.675	0C	02	05	05	01	08	07	00	06	03	0F	08	00	0C	03	00
136.700	00	03	05	05	01	08	07	00	08	03	0F	08	00	0C	03	00
136.725	04	03	05	05	01	08	07	00	0A	03	0F	08	00	0C	03	00
136.750	08	03	05	05	01	08	07	00	0C	03	0F	08	00	0C	03	00
136.775	0C	03	05	05	01	08	07	00	0E	03	0F	08	00	0C	03	00
136.800	00	00	06	05	01	08	07	00	00	00	00	09	00	0C	03	00
136.825	04	00	06	05	01	08	07	00	02	00	00	09	00	0C	03	00
136.850	08	00	06	05	01	08	07	00	04	00	00	09	00	0C	03	00
136.875	0C	00	06	05	01	08	07	00	06	00	00	09	00	0C	03	00
136.900	00	01	06	05	01	08	07	00	08	00	00	09	00	0C	03	00
136.925	04	01	06	05	01	08	07	00	0A	00	00	09	00	0C	03	00
136.950	08	01	06	05	01	08	07	00	0C	00	00	09	00	0C	03	00
136.975	0C	01	06	05	01	08	07	00	0E	00	00	09	00	0C	03	00
137.000	00	02	06	05	01	08	07	00	00	01	00	09	00	0C	03	00
137.025	04	02	06	05	01	08	07	00	02	01	00	09	00	0C	03	00
137.050	08	02	06	05	01	08	07	00	04	01	00	09	00	0C	03	00
137.075	0C	02	06	05	01	08	07	00	06	01	00	09	00	0C	03	00
137.100	00	03	06	05	01	08	07	00	08	01	00	09	00	0C	03	00
137.125	04	03	06	05	01	08	07	00	0A	01	00	09	00	0C	03	00
137.150	08	03	06	05	01	08	07	00	0C	01	00	09	00	0C	03	00
137.175	0C	03	06	05	01	08	07	00	0E	01	00	09	00	0C	03	00
137.200	00	00	07	05	01	08	07	00	00	02	00	09	00	0C	03	00
137.225	04	00	07	05	01	08	07	00	02	02	00	09	00	0C	03	00
137.250	08	00	07	05	01	08	07	00	04	02	00	09	00	0C	03	00
137.275	0C	00	07	05	01	08	07	00	06	02	00	09	00	0C	03	00
137.300	00	01	07	05	01	08	07	00	08	02	00	09	00	0C	03	00
137.325	04	01	07	05	01	08	07	00	0A	02	00	09	00	0C	03	00
137.350	08	01	07	05	01	08	07	00	0C	02	00	09	00	0C	03	00
137.375	0C	01	07	05	01	08	07	00	0E	02	00	09	00	0C	03	00
137.400	00	02	07	05	01	08	07	00	00	03	00	09	00	0C	03	00
137.425	04	02	07	05	01	08	07	00	02	03	00	09	00	0C	03	00
137.450	08	02	07	05	01	08	07	00	04	03	00	09	00	0C	03	00
137.475	0C	02	07	05	01	08	07	00	06	03	00	09	00	0C	03	00

***H	VHF TX PROGRAM							VHF RX PROGRAM								
	0	1	2	3	4	5	6	7	0	1	2	3	4	5	6	7
F (MHz)	8	9	A	B	C	D	E	F	8	9	A	B	C	D	E	F
139.000	00	02	08	05	01	08	07	00	00	03	02	09	00	0C	03	00
139.025	04	02	08	05	01	08	07	00	02	03	02	09	00	0C	03	00
139.050	08	02	08	05	01	08	07	00	04	03	02	09	00	0C	03	00
139.075	0C	02	08	05	01	08	07	00	06	03	02	09	00	0C	03	00
139.100	00	03	08	05	01	08	07	00	08	03	02	09	00	0C	03	00
139.125	04	03	08	05	01	08	07	00	0A	03	02	09	00	0C	03	00
139.150	08	03	08	05	01	08	07	00	0C	03	02	09	00	0C	03	00
139.175	0C	03	08	05	01	08	07	00	0E	03	02	09	00	0C	03	00
139.200	00	00	0C	05	01	08	07	00	00	00	03	09	00	0C	03	00
139.225	04	00	0C	05	01	08	07	00	02	00	03	09	00	0C	03	00
139.250	08	00	0C	05	01	08	07	00	04	00	03	09	00	0C	03	00
139.275	0C	00	0C	05	01	08	07	00	06	00	03	09	00	0C	03	00
139.300	00	01	0C	05	01	08	07	00	08	00	03	09	00	0C	03	00
139.325	04	01	0C	05	01	08	07	00	0A	00	03	09	00	0C	03	00
139.350	08	01	0C	05	01	08	07	00	0C	00	03	09	00	0C	03	00
139.375	0C	01	0C	05	01	08	07	00	0E	00	03	09	00	0C	03	00
139.400	00	02	0C	05	01	08	07	00	00	01	03	09	00	0C	03	00
139.425	04	02	0C	05	01	08	07	00	02	01	03	09	00	0C	03	00
139.450	08	02	0C	05	01	08	07	00	04	01	03	09	00	0C	03	00
139.475	0C	02	0C	05	01	08	07	00	06	01	03	09	00	0C	03	00
139.500	00	03	0C	05	01	08	07	00	08	01	03	09	00	0C	03	00
139.525	04	03	0C	05	01	08	07	00	0A	01	03	09	00	0C	03	00
139.550	08	03	0C	05	01	08	07	00	0C	01	03	09	00	0C	03	00
139.575	0C	03	0C	05	01	08	07	00	0E	01	03	09	00	0C	03	00
139.600	00	00	0D	05	01	08	07	00	00	02	03	09	00	0C	03	00
139.625	04	00	0D	05	01	08	07	00	02	02	03	09	00	0C	03	00
139.650	08	00	0D	05	01	08	07	00	04	02	03	09	00	0C	03	00
139.675	0C	00	0D	05	01	08	07	00	06	02	03	09	00	0C	03	00
139.700	00	01	0D	05	01	08	07	00	08	02	03	09	00	0C	03	00
139.725	04	01	0D	05	01	08	07	00	0A	02	03	09	00	0C	03	00
139.750	08	01	0D	05	01	08	07	00	0C	02	03	09	00	0C	03	00
139.775	0C	01	0D	05	01	08	07	00	0E	02	03	09	00	0C	03	00
139.800	00	02	0D	05	01	08	07	00	00	03	03	09	00	0C	03	00
139.825	04	02	0D	05	01	08	07	00	02	03	03	09	00	0C	03	00
139.850	08	02	0D	05	01	08	07	00	04	03	03	09	00	0C	03	00
139.875	0C	02	0D	05	01	08	07	00	06	03	03	09	00	0C	03	00
139.900	00	03	0D	05	01	08	07	00	08	03	03	09	00	0C	03	00
139.925	04	03	0D	05	01	08	07	00	0A	03	03	09	00	0C	03	00
139.950	08	03	0D	05	01	08	07	00	0C	03	03	09	00	0C	03	00
139.975	0C	03	0D	05	01	08	07	00	0E	03	03	09	00	0C	03	00
140.000	00	00	0E	05	01	08	07	00	00	00	04	09	00	0C	03	00
140.025	04	00	0E	05	01	08	07	00	02	00	04	09	00	0C	03	00
140.050	08	00	0E	05	01	08	07	00	04	00	04	09	00	0C	03	00
140.075	0C	00	0E	05	01	08	07	00	06	00	04	09	00	0C	03	00
140.100	00	01	0E	05	01	08	07	00	08	00	04	09	00	0C	03	00
140.125	04	01	0E	05	01	08	07	00	0A	00	04	09	00	0C	03	00
140.150	08	01	0E	05	01	08	07	00	0C	00	04	09	00	0C	03	00
140.175	0C	01	0E	05	01	08	07	00	0E	00	04	09	00	0C	03	00
140.200	00	02	0E	05	01	08	07	00	00	01	04	09	00	0C	03	00
140.225	04	02	0E	05	01	08	07	00	02	01	04	09	00	0C	03	00
140.250	08	02	0E	05	01	08	07	00	04	01	04	09	00	0C	03	00
140.275	0C	02	0E	05	01	08	07	00	06	01	04	09	00	0C	03	00
140.300	00	03	0E	05	01	08	07	00	08	01	04	09	00	0C	03	00
140.325	04	03	0E	05	01	08	07	00	0A	01	04	09	00	0C	03	00
140.350	08	03	0E	05	01	08	07	00	0C	01	04	09	00	0C	03	00
140.375	0C	03	0E	05	01	08	07	00	0E	01	04	09	00	0C	03	00
140.400	00	00	0F	05	01	08	07	00	00	02	04	09	00	0C	03	00
140.425	04	00	0F	05	01	08	07	00	02	02	04	09	00	0C	03	00
140.450	08	00	0F	05	01	08	07	00	04	02	04	09	00	0C	03	00
140.475	0C	00	0F	05	01	08	07	00	06	02	04	09	00	0C	03	00

***H	VHF TX PROGRAM							VHF RX PROGRAM									
	F (MHz)							F (MHz)									
	0	1	2	3	4	5	6	7	0	1	2	3	4	5	6	7	
	142.000	00	00	03	06	01	08	07	00	00	02	06	09	00	0C	03	00
	142.025	04	00	03	06	01	08	07	00	02	02	06	09	00	0C	03	00
	142.050	08	00	03	06	01	08	07	00	04	02	06	09	00	0C	03	00
	142.075	0C	00	03	06	01	08	07	00	06	02	06	09	00	0C	03	00
	142.100	00	01	03	06	01	08	07	00	08	02	06	09	00	0C	03	00
	142.125	04	01	03	06	01	08	07	00	0A	02	06	09	00	0C	03	00
	142.150	08	01	03	06	01	08	07	00	0C	02	06	09	00	0C	03	00
	142.175	0C	01	03	06	01	08	07	00	0E	02	06	09	00	0C	03	00
	142.200	00	02	03	06	01	08	07	00	00	03	06	09	00	0C	03	00
	142.225	04	02	03	06	01	08	07	00	02	03	06	09	00	0C	03	00
	142.250	08	02	03	06	01	08	07	00	04	03	06	09	00	0C	03	00
	142.275	0C	02	03	06	01	08	07	00	06	03	06	09	00	0C	03	00
	142.300	00	03	03	06	01	08	07	00	08	03	06	09	00	0C	03	00
	142.325	04	03	03	06	01	08	07	00	0A	03	06	09	00	0C	03	00
	142.350	08	03	03	06	01	08	07	00	0C	03	06	09	00	0C	03	00
	142.375	0C	03	03	06	01	08	07	00	0E	03	06	09	00	0C	03	00
	142.400	00	00	04	06	01	08	07	00	00	00	07	09	00	0C	03	00
	142.425	04	00	04	06	01	08	07	00	02	00	07	09	00	0C	03	00
	142.450	08	00	04	06	01	08	07	00	04	00	07	09	00	0C	03	00
	142.475	0C	00	04	06	01	08	07	00	06	00	07	09	00	0C	03	00
	142.500	00	01	04	06	01	08	07	00	08	00	07	09	00	0C	03	00
	142.525	04	01	04	06	01	08	07	00	0A	00	07	09	00	0C	03	00
	142.550	08	01	04	06	01	08	07	00	0C	00	07	09	00	0C	03	00
	142.575	0C	01	04	06	01	08	07	00	0E	00	07	09	00	0C	03	00
	142.600	02	04	06	01	08	07	00	00	01	07	09	00	0C	03	00	
	142.625	04	02	04	06	01	08	07	00	02	01	07	09	00	0C	03	00
	142.650	08	02	04	06	01	08	07	00	04	01	07	09	00	0C	03	00
	142.675	0C	02	04	06	01	08	07	00	06	01	07	09	00	0C	03	00
	142.700	00	03	04	06	01	08	07	00	08	01	07	09	00	0C	03	00
	142.725	04	03	04	06	01	08	07	00	0A	01	07	09	00	0C	03	00
	142.750	08	03	04	06	01	08	07	00	0C	01	07	09	00	0C	03	00
	142.775	0C	03	04	06	01	08	07	00	0E	01	07	09	00	0C	03	00
	142.800	00	05	06	01	08	07	00	00	02	07	09	00	0C	03	00	
	142.825	04	05	06	01	08	07	00	02	02	07	09	00	0C	03	00	
	142.850	08	05	06	01	08	07	00	04	02	07	09	00	0C	03	00	
	142.875	0C	05	06	01	08	07	00	06	02	07	09	00	0C	03	00	
	142.900	00	01	05	06	01	08	07	00	08	02	07	09	00	0C	03	00
	142.925	04	01	05	06	01	08	07	00	0A	02	07	09	00	0C	03	00
	142.950	08	01	05	06	01	08	07	00	0C	02	07	09	00	0C	03	00
	142.975	0C	01	05	06	01	08	07	00	0E	02	07	09	00	0C	03	00
	143.000	00	02	05	06	01	08	07	00	00	03	07	09	00	0C	03	00
	143.025	04	02	05	06	01	08	07	00	02	03	07	09	00	0C	03	00
	143.050	08	02	05	06	01	08	07	00	04	03	07	09	00	0C	03	00
	143.075	0C	02	05	06	01	08	07	00	06	03	07	09	00	0C	03	00
	143.100	00	03	05	06	01	08	07	00	08	03	07	09	00	0C	03	00
	143.125	04	03	05	06	01	08	07	00	0A	03	07	09	00	0C	03	00
	143.150	08	03	05	06	01	08	07	00	0C	03	07	09	00	0C	03	00
	143.175	0C	03	05	06	01	08	07	00	0E	03	07	09	00	0C	03	00
	143.200	00	06	06	01	08	07	00	00	00	08	09	00	0C	03	00	
	143.225	04	06	06	01	08	07	00	02	00	08	09	00	0C	03	00	
	143.250	08	06	06	01	08	07	00	04	00	08	09	00	0C	03	00	
	143.275	0C	06	06	01	08	07	00	06	00	08	09	00	0C	03	00	
	143.300	00	01	06	06	01	08	07	00	08	00	08	09	00	0C	03	00
	143.325	04	01	06	06	01	08	07	00	0A	00	08	09	00	0C	03	00
	143.350	08	01	06	06	01	08	07	00	0C	00	08	09	00	0C	03	00
	143.375	0C	01	06	06	01	08	07	00	0E	00	08	09	00	0C	03	00
	143.400	00	02	06	06	01	08	07	00	00	01	08	09	00	0C	03	00
	143.425	04	02	06	06	01	08	07	00	02	01	08	09	00	0C	03	00
	143.450	08	02	06	06	01	08	07	00	04	01	08	09	00	0C	03	00
	143.475	0C	02	06	06	01	08	07	00	06	01	08	09	00	0C	03	00

***H	VHF TX PROGRAM							VHF RX PROGRAM									
	0	1	2	3	4	5	6	7	0	1	2	3	4	5	6	7	
F (MHz)	145.000	00	02	0A	06	01	08	07	00	00	01	0A	09	00	0C	03	00
	145.025	04	02	0A	06	01	08	07	00	02	01	0A	09	00	0C	03	00
	145.050	08	02	0A	06	01	08	07	00	04	01	0A	09	00	0C	03	00
	145.075	0C	02	0A	06	01	08	07	00	06	01	0A	09	00	0C	03	00
	145.100	00	03	0A	06	01	08	07	00	08	01	0A	09	00	0C	03	00
	145.125	04	03	0A	06	01	08	07	00	0A	01	0A	09	00	0C	03	00
	145.150	08	03	0A	06	01	08	07	00	0C	01	0A	09	00	0C	03	00
	145.175	0C	03	0A	06	01	08	07	00	0E	01	0A	09	00	0C	03	00
	145.200	00	0B	06	01	08	07	00	00	02	0A	09	00	0C	03	00	
	145.225	04	00	0B	06	01	08	07	00	02	02	0A	09	00	0C	03	00
	145.250	08	00	0B	06	01	08	07	00	04	02	0A	09	00	0C	03	00
	145.275	0C	00	0B	06	01	08	07	00	06	02	0A	09	00	0C	03	00
	145.300	00	01	0B	06	01	08	07	00	08	02	0A	09	00	0C	03	00
	145.325	04	01	0B	06	01	08	07	00	0A	02	0A	09	00	0C	03	00
	145.350	08	01	0B	06	01	08	07	00	0C	02	0A	09	00	0C	03	00
	145.375	0C	01	0B	06	01	08	07	00	0E	02	0A	09	00	0C	03	00
	145.400	00	02	0B	06	01	08	07	00	00	03	0A	09	00	0C	03	00
	145.425	04	02	0B	06	01	08	07	00	02	03	0A	09	00	0C	03	00
	145.450	08	02	0B	06	01	08	07	00	04	03	0A	09	00	0C	03	00
	145.475	0C	02	0B	06	01	08	07	00	06	03	0A	09	00	0C	03	00
	145.500	00	03	0B	06	01	08	07	00	08	03	0A	09	00	0C	03	00
	145.525	04	03	0B	06	01	08	07	00	0A	03	0A	09	00	0C	03	00
	145.550	08	03	0B	06	01	08	07	00	0C	03	0A	09	00	0C	03	00
	145.575	0C	03	0B	06	01	08	07	00	0E	03	0A	09	00	0C	03	00
	145.600	00	00	0C	06	01	08	07	00	00	00	0B	09	00	0C	03	00
	145.625	04	00	0C	06	01	08	07	00	02	00	0B	09	00	0C	03	00
	145.650	08	00	0C	06	01	08	07	00	04	00	0B	09	00	0C	03	00
	145.675	0C	00	0C	06	01	08	07	00	06	00	0B	09	00	0C	03	00
	145.700	00	01	0C	06	01	08	07	00	08	00	0B	09	00	0C	03	00
	145.725	04	01	0C	06	01	08	07	00	0A	00	0B	09	00	0C	03	00
	145.750	08	01	0C	06	01	08	07	00	0C	00	0B	09	00	0C	03	00
	145.775	0C	01	0C	06	01	08	07	00	0E	00	0B	09	00	0C	03	00
	145.800	00	02	0C	06	01	08	07	00	00	01	0B	09	00	0C	03	00
	145.825	04	02	0C	06	01	08	07	00	02	01	0B	09	00	0C	03	00
	145.850	08	02	0C	06	01	08	07	00	04	01	0B	09	00	0C	03	00
	145.875	0C	02	0C	06	01	08	07	00	06	01	0B	09	00	0C	03	00
	145.900	00	03	0C	06	01	08	07	00	08	01	0B	09	00	0C	03	00
	145.925	04	03	0C	06	01	08	07	00	0A	01	0B	09	00	0C	03	00
	145.950	08	03	0C	06	01	08	07	00	0C	01	0B	09	00	0C	03	00
	145.975	0C	03	0C	06	01	08	07	00	0E	01	0B	09	00	0C	03	00
	146.000	00	00	0D	06	01	08	07	00	00	02	0B	09	00	0C	03	00
	146.025	04	00	0D	06	01	08	07	00	02	02	0B	09	00	0C	03	00
	146.050	08	00	0D	06	01	08	07	00	04	02	0B	09	00	0C	03	00
	146.075	0C	00	0D	06	01	08	07	00	06	02	0B	09	00	0C	03	00
	146.100	00	01	0D	06	01	08	07	00	08	02	0B	09	00	0C	03	00
	146.125	04	01	0D	06	01	08	07	00	0A	02	0B	09	00	0C	03	00
	146.150	08	01	0D	06	01	08	07	00	0C	02	0B	09	00	0C	03	00
	146.175	0C	01	0D	06	01	08	07	00	0E	02	0B	09	00	0C	03	00
	146.200	00	02	0D	06	01	08	07	00	00	03	0B	09	00	0C	03	00
	146.225	04	02	0D	06	01	08	07	00	02	03	0B	09	00	0C	03	00
	146.250	08	02	0D	06	01	08	07	00	04	03	0B	09	00	0C	03	00
	146.275	0C	02	0D	06	01	08	07	00	06	03	0B	09	00	0C	03	00
	146.300	00	03	0D	06	01	08	07	00	08	03	0B	09	00	0C	03	00
	146.325	04	03	0D	06	01	08	07	00	0A	03	0B	09	00	0C	03	00
	146.350	08	03	0D	06	01	08	07	00	0C	03	0B	09	00	0C	03	00
	146.375	0C	03	0D	06	01	08	07	00	0E	03	0B	09	00	0C	03	00
	146.400	00	00	0E	06	01	08	07	00	00	00	0C	09	00	0C	03	00
	146.425	04	00	0E	06	01	08	07	00	02	00	0C	09	00	0C	03	00
	146.450	08	00	0E	06	01	08	07	00	04	00	0C	09	00	0C	03	00
	146.475	0C	00	0E	06	01	08	07	00	06	00	0C	09	00	0C	03	00

***H	VHF TX PROGRAM							VHF RX PROGRAM								
	0	1	2	3	4	5	6	7	0	1	2	3	4	5	6	7
	F (MHz)	8	9	A	B	C	D	E	F	0	1	2	3	4	5	6
148.000	00	00	02	07	01	08	07	00	00	00	0E	09	00	0C	03	00
148.025	04	00	02	07	01	08	07	00	02	00	0E	09	00	0C	03	00
148.050	08	00	02	07	01	08	07	00	04	00	0E	09	00	0C	03	00
148.075	0C	00	02	07	01	08	07	00	06	00	0E	09	00	0C	03	00
148.100	00	01	02	07	01	08	07	00	08	00	0E	09	00	0C	03	00
148.125	04	01	02	07	01	08	07	00	0A	00	0E	09	00	0C	03	00
148.150	08	01	02	07	01	08	07	00	0C	00	0E	09	00	0C	03	00
148.175	0C	01	02	07	01	08	07	00	0E	00	0E	09	00	0C	03	00
148.200	00	02	02	07	01	08	07	00	00	01	0E	09	00	0C	03	00
148.225	04	02	02	07	01	08	07	00	02	01	0E	09	00	0C	03	00
148.250	08	02	02	07	01	08	07	00	04	01	0E	09	00	0C	03	00
148.275	0C	02	02	07	01	08	07	00	06	01	0E	09	00	0C	03	00
148.300	00	03	02	07	01	08	07	00	08	01	0E	09	00	0C	03	00
148.325	04	03	02	07	01	08	07	00	0A	01	0E	09	00	0C	03	00
148.350	08	03	02	07	01	08	07	00	0C	01	0E	09	00	0C	03	00
148.375	0C	03	02	07	01	08	07	00	0E	01	0E	09	00	0C	03	00
148.400	00	00	03	07	01	08	07	00	00	02	0E	09	00	0C	03	00
148.425	04	00	03	07	01	08	07	00	02	02	0E	09	00	0C	03	00
148.450	08	00	03	07	01	08	07	00	04	02	0E	09	00	0C	03	00
148.475	0C	00	03	07	01	08	07	00	06	02	0E	09	00	0C	03	00
148.500	00	01	03	07	01	08	07	00	08	02	0E	09	00	0C	03	00
148.525	04	01	03	07	01	08	07	00	0A	02	0E	09	00	0C	03	00
148.550	08	01	03	07	01	08	07	00	0C	02	0E	09	00	0C	03	00
148.575	0C	01	03	07	01	08	07	00	0E	02	0E	09	00	0C	03	00
148.600	00	02	03	07	01	08	07	00	00	03	0E	09	00	0C	03	00
148.625	04	02	03	07	01	08	07	00	02	03	0E	09	00	0C	03	00
148.650	08	02	03	07	01	08	07	00	04	03	0E	09	00	0C	03	00
148.675	0C	02	03	07	01	08	07	00	06	03	0E	09	00	0C	03	00
148.700	00	03	03	07	01	08	07	00	08	03	0E	09	00	0C	03	00
148.725	04	03	03	07	01	08	07	00	0A	03	0E	09	00	0C	03	00
148.750	08	03	03	07	01	08	07	00	0C	03	0E	09	00	0C	03	00
148.775	0C	03	03	07	01	08	07	00	0E	03	0E	09	00	0C	03	00
148.800	00	04	07	01	08	07	00	00	00	00	0F	09	00	0C	03	00
148.825	04	00	04	07	01	08	07	00	02	00	0F	09	00	0C	03	00
148.850	08	00	04	07	01	08	07	00	04	00	0F	09	00	0C	03	00
148.875	0C	00	04	07	01	08	07	00	06	00	0F	09	00	0C	03	00
148.900	00	01	04	07	01	08	07	00	08	00	0F	09	00	0C	03	00
148.925	04	01	04	07	01	08	07	00	0A	00	0F	09	00	0C	03	00
148.950	08	01	04	07	01	08	07	00	0C	00	0F	09	00	0C	03	00
148.975	0C	01	04	07	01	08	07	00	0E	00	0F	09	00	0C	03	00
149.000	00	02	04	07	01	08	07	00	00	01	0F	09	00	0C	03	00
149.025	04	02	04	07	01	08	07	00	02	01	0F	09	00	0C	03	00
149.050	08	02	04	07	01	08	07	00	04	01	0F	09	00	0C	03	00
149.075	0C	02	04	07	01	08	07	00	06	01	0F	09	00	0C	03	00
149.100	00	03	04	07	01	08	07	00	08	01	0F	09	00	0C	03	00
149.125	04	03	04	07	01	08	07	00	0A	01	0F	09	00	0C	03	00
149.150	08	03	04	07	01	08	07	00	0C	01	0F	09	00	0C	03	00
149.175	0C	03	04	07	01	08	07	00	0E	01	0F	09	00	0C	03	00
149.200	00	05	07	01	08	07	00	00	00	02	0F	09	00	0C	03	00
149.225	04	00	05	07	01	08	07	00	02	02	0F	09	00	0C	03	00
149.250	08	00	05	07	01	08	07	00	04	02	0F	09	00	0C	03	00
149.275	0C	00	05	07	01	08	07	00	06	02	0F	09	00	0C	03	00
149.300	00	01	05	07	01	08	07	00	08	02	0F	09	00	0C	03	00
149.325	04	01	05	07	01	08	07	00	0A	02	0F	09	00	0C	03	00
149.350	08	01	05	07	01	08	07	00	0C	02	0F	09	00	0C	03	00
149.375	0C	01	05	07	01	08	07	00	0E	02	0F	09	00	0C	03	00
149.400	00	02	05	07	01	08	07	00	00	03	0F	09	00	0C	03	00
149.425	04	02	05	07	01	08	07	00	02	03	0F	09	00	0C	03	00
149.450	08	02	05	07	01	08	07	00	04	03	0F	09	00	0C	03	00
149.475	0C	02	05	07	01	08	07	00	06	03	0F	09	00	0C	03	00





***H	VHF TX PROGRAM							VHF RX PROGRAM								
	0	1	2	3	4	5	6	7	0	1	2	3	4	5	6	7
F (MHz)	8	9	A	B	C	D	E	F	0	1	2	3	4	5	6	7
154.000	00	00	01	08	01	08	01	08	02	05	0A	00	0C	03	00	
154.025	04	00	01	08	01	08	07	00	02	02	05	0A	00	0C	03	
154.050	08	00	01	08	01	08	07	00	04	02	05	0A	00	0C	03	
154.075	00	01	08	01	08	07	00	00	05	02	05	0A	00	0C	03	
154.100	00	01	08	01	08	07	00	08	02	05	0A	00	0C	03	00	
154.125	04	01	08	01	08	07	00	0A	02	05	0A	00	0C	03	00	
154.150	08	01	08	01	08	07	00	0C	02	05	0A	00	0C	03	00	
154.175	00	01	08	01	08	07	00	0E	02	05	0A	00	0C	03	00	
154.200	00	02	01	08	01	08	07	00	00	03	05	0A	00	0C	03	
154.225	04	02	01	08	01	08	07	00	02	03	05	0A	00	0C	03	
154.250	08	02	01	08	01	08	07	00	04	03	05	0A	00	0C	03	
154.275	00	02	01	08	01	08	07	00	06	03	05	0A	00	0C	03	
154.300	00	03	01	08	01	08	07	00	08	03	05	0A	00	0C	03	
154.325	04	03	01	08	01	08	07	00	0A	03	05	0A	00	0C	03	
154.350	08	03	01	08	01	08	07	00	0C	03	05	0A	00	0C	03	
154.375	00	03	01	08	01	08	07	00	0E	03	05	0A	00	0C	03	
154.400	00	00	02	08	01	08	07	00	00	00	06	0A	00	0C	03	
154.425	04	00	02	08	01	08	07	00	02	00	06	0A	00	0C	03	
154.450	08	00	02	08	01	08	07	00	04	00	06	0A	00	0C	03	
154.475	00	00	02	08	01	08	07	00	06	00	06	0A	00	0C	03	
154.500	00	01	02	08	01	08	07	00	08	00	06	0A	00	0C	03	
154.525	04	01	02	08	01	08	07	00	0A	00	06	0A	00	0C	03	
154.550	08	01	02	08	01	08	07	00	0C	00	06	0A	00	0C	03	
154.575	00	01	02	08	01	08	07	00	0E	00	06	0A	00	0C	03	
154.600	00	02	02	08	01	08	07	00	00	01	06	0A	00	0C	03	
154.625	04	02	02	08	01	08	07	00	02	01	06	0A	00	0C	03	
154.650	08	02	02	08	01	08	07	00	04	01	06	0A	00	0C	03	
154.675	00	02	02	08	01	08	07	00	06	01	06	0A	00	0C	03	
154.700	00	03	02	08	01	08	07	00	08	01	06	0A	00	0C	03	
154.725	04	03	02	08	01	08	07	00	0A	01	06	0A	00	0C	03	
154.750	08	03	02	08	01	08	07	00	0C	01	06	0A	00	0C	03	
154.775	00	03	02	08	01	08	07	00	0E	01	06	0A	00	0C	03	
154.800	00	03	02	08	01	08	07	00	00	01	06	0A	00	0C	03	
154.825	04	03	02	08	01	08	07	00	02	02	06	0A	00	0C	03	
154.850	08	03	02	08	01	08	07	00	04	02	06	0A	00	0C	03	
154.875	00	03	02	08	01	08	07	00	06	02	06	0A	00	0C	03	
154.900	00	01	03	08	01	08	07	00	08	02	06	0A	00	0C	03	
154.925	04	01	03	08	01	08	07	00	0A	02	06	0A	00	0C	03	
154.950	08	01	03	08	01	08	07	00	0C	02	06	0A	00	0C	03	
154.975	00	03	03	08	01	08	07	00	0E	02	06	0A	00	0C	03	
155.000	00	02	03	08	01	08	07	00	00	03	06	0A	00	0C	03	
155.025	04	02	03	08	01	08	07	00	02	03	06	0A	00	0C	03	
155.050	08	02	03	08	01	08	07	00	04	03	06	0A	00	0C	03	
155.075	00	03	03	08	01	08	07	00	06	03	06	0A	00	0C	03	
155.100	04	03	03	08	01	08	07	00	08	03	06	0A	00	0C	03	
155.125	00	03	03	08	01	08	07	00	0A	03	06	0A	00	0C	03	
155.150	08	03	03	08	01	08	07	00	0C	03	06	0A	00	0C	03	
155.175	00	03	03	08	01	08	07	00	0E	03	06	0A	00	0C	03	
155.200	00	04	08	01	08	07	00	00	00	00	07	0A	00	0C	03	
155.225	04	00	04	08	01	08	07	00	02	00	07	0A	00	0C	03	
155.250	08	00	04	08	01	08	07	00	04	00	07	0A	00	0C	03	
155.275	00	00	04	08	01	08	07	00	06	00	07	0A	00	0C	03	
155.300	00	01	04	08	01	08	07	00	08	00	07	0A	00	0C	03	
155.325	04	01	04	08	01	08	07	00	0A	00	07	0A	00	0C	03	
155.350	08	01	04	08	01	08	07	00	0C	00	07	0A	00	0C	03	
155.375	00	01	04	08	01	08	07	00	0E	00	07	0A	00	0C	03	
155.400	00	02	04	08	01	08	07	00	00	01	07	0A	00	0C	03	
155.425	04	02	04	08	01	08	07	00	02	01	07	0A	00	0C	03	
155.450	08	02	04	08	01	08	07	00	04	01	07	0A	00	0C	03	
155.475	00	02	04	08	01	08	07	00	06	01	07	0A	00	0C	03	

***H	VHF TX PROGRAM							VHF RX PROGRAM								
	F (MHz)	0	1	2	3	4	5	6	7	0	1	2	3	4	5	6
157.000	00	02	08	08	01	08	07	00	00	01	09	0A	00	0C	03	00
157.025	04	02	08	08	01	08	07	00	02	01	09	0A	00	0C	03	00
157.050	08	02	08	08	01	08	07	00	04	01	09	0A	00	0C	03	00
157.075	0C	02	08	08	01	08	07	00	06	01	09	0A	00	0C	03	00
157.100	00	03	08	08	01	08	07	00	08	01	09	0A	00	0C	03	00
157.125	04	03	08	08	01	08	07	00	0A	01	09	0A	00	0C	03	00
157.150	08	03	08	08	01	08	07	00	0C	01	09	0A	00	0C	03	00
157.175	0C	03	08	08	01	08	07	00	0E	01	09	0A	00	0C	03	00
157.200	00	00	09	08	01	08	07	00	00	02	09	0A	00	0C	03	00
157.225	04	00	09	08	01	08	07	00	02	02	09	0A	00	0C	03	00
157.250	08	00	09	08	01	08	07	00	04	02	09	0A	00	0C	03	00
157.275	0C	00	09	08	01	08	07	00	06	02	09	0A	00	0C	03	00
157.300	00	01	09	08	01	08	07	00	08	02	09	0A	00	0C	03	00
157.325	04	01	09	08	01	08	07	00	0A	02	09	0A	00	0C	03	00
157.350	08	01	09	08	01	08	07	00	0C	02	09	0A	00	0C	03	00
157.375	0C	01	09	08	01	08	07	00	0E	02	09	0A	00	0C	03	00
157.400	00	02	09	08	01	08	07	00	00	03	09	0A	00	0C	03	00
157.425	04	02	09	08	01	08	07	00	02	03	09	0A	00	0C	03	00
157.450	08	02	09	08	01	08	07	00	04	03	09	0A	00	0C	03	00
157.475	0C	02	09	08	01	08	07	00	06	03	09	0A	00	0C	03	00
157.500	00	03	09	08	01	08	07	00	08	03	09	0A	00	0C	03	00
157.525	04	03	09	08	01	08	07	00	0A	03	09	0A	00	0C	03	00
157.550	08	03	09	08	01	08	07	00	0C	03	09	0A	00	0C	03	00
157.575	0C	03	09	08	01	08	07	00	0E	03	09	0A	00	0C	03	00
157.600	00	00	0A	08	01	08	07	00	00	00	0A	0A	00	0C	03	00
157.625	04	00	0A	08	01	08	07	00	02	00	0A	0A	00	0C	03	00
157.650	08	00	0A	08	01	08	07	00	04	00	0A	0A	00	0C	03	00
157.675	0C	00	0A	08	01	08	07	00	06	00	0A	0A	00	0C	03	00
157.700	00	01	0A	08	01	08	07	00	08	00	0A	0A	00	0C	03	00
157.725	04	01	0A	08	01	08	07	00	0A	00	0A	0A	00	0C	03	00
157.750	08	01	0A	08	01	08	07	00	0C	00	0A	0A	00	0C	03	00
157.775	0C	01	0A	08	01	08	07	00	0E	00	0A	0A	00	0C	03	00
157.800	00	02	0A	08	01	08	07	00	00	01	0A	0A	00	0C	03	00
157.825	04	02	0A	08	01	08	07	00	02	01	0A	0A	00	0C	03	00
157.850	08	02	0A	08	01	08	07	00	04	01	0A	0A	00	0C	03	00
157.875	0C	02	0A	08	01	08	07	00	06	01	0A	0A	00	0C	03	00
157.900	00	03	0A	08	01	08	07	00	08	01	0A	0A	00	0C	03	00
157.925	04	03	0A	08	01	08	07	00	0A	01	0A	0A	00	0C	03	00
157.950	08	03	0A	08	01	08	07	00	0C	01	0A	0A	00	0C	03	00
157.975	0C	03	0A	08	01	08	07	00	0E	01	0A	0A	00	0C	03	00
158.000	00	00	0B	08	01	08	07	00	00	02	0A	0A	00	0C	03	00
158.025	04	00	0B	08	01	08	07	00	02	02	0A	0A	00	0C	03	00
158.050	08	00	0B	08	01	08	07	00	04	02	0A	0A	00	0C	03	00
158.075	0C	00	0B	08	01	08	07	00	06	02	0A	0A	00	0C	03	00
158.100	00	01	0B	08	01	08	07	00	08	02	0A	0A	00	0C	03	00
158.125	04	01	0B	08	01	08	07	00	0A	02	0A	0A	00	0C	03	00
158.150	08	01	0B	08	01	08	07	00	0C	02	0A	0A	00	0C	03	00
158.175	0C	01	0B	08	01	08	07	00	0E	02	0A	0A	00	0C	03	00
158.200	00	02	0B	08	01	08	07	00	00	03	0A	0A	00	0C	03	00
158.225	04	02	0B	08	01	08	07	00	02	03	0A	0A	00	0C	03	00
158.250	08	02	0B	08	01	08	07	00	04	03	0A	0A	00	0C	03	00
158.275	0C	02	0B	08	01	08	07	00	06	03	0A	0A	00	0C	03	00
158.300	00	03	0B	08	01	08	07	00	08	03	0A	0A	00	0C	03	00
158.325	04	03	0B	08	01	08	07	00	0A	03	0A	0A	00	0C	03	00
158.350	08	03	0B	08	01	08	07	00	0C	03	0A	0A	00	0C	03	00
158.375	0C	03	0B	08	01	08	07	00	0E	03	0A	0A	00	0C	03	00
158.400	00	00	0C	08	01	08	07	00	00	00	0B	0A	00	0C	03	00
158.425	04	00	0C	08	01	08	07	00	02	00	0B	0A	00	0C	03	00
158.450	08	00	0C	08	01	08	07	00	04	00	0B	0A	00	0C	03	00
158.475	0C	00	0C	08	01	08	07	00	06	00	0B	0A	00	0C	03	00

***#	VHF TX PROGRAM							VHF RX PROGRAM								
	F (MHz)							F (MHz)								
	0	1	2	3	4	5	6	7	0	1	2	3	4	5	6	7
160.000	00	00	00	09	01	08	07	00	00	00	0D	0A	00	0C	03	00
160.025	04	00	00	09	01	08	07	00	02	00	0D	0A	00	0C	03	00
160.050	08	00	00	09	01	08	07	00	04	00	0D	0A	00	0C	03	00
160.075	0C	00	00	09	01	08	07	00	06	00	0D	0A	00	0C	03	00
160.100	00	01	00	09	01	08	07	00	08	00	0D	0A	00	0C	03	00
160.125	04	01	00	09	01	08	07	00	0A	00	0D	0A	00	0C	03	00
160.150	08	01	00	09	01	08	07	00	0C	00	0D	0A	00	0C	03	00
160.175	0C	01	00	09	01	08	07	00	0E	00	0D	0A	00	0C	03	00
160.200	00	02	00	09	01	08	07	00	00	01	0D	0A	00	0C	03	00
160.225	04	02	00	09	01	08	07	00	02	01	0D	0A	00	0C	03	00
160.250	08	02	00	09	01	08	07	00	04	01	0D	0A	00	0C	03	00
160.275	0C	02	00	09	01	08	07	00	06	01	0D	0A	00	0C	03	00
160.300	00	03	00	09	01	08	07	00	08	01	0D	0A	00	0C	03	00
160.325	04	03	00	09	01	08	07	00	0A	01	0D	0A	00	0C	03	00
160.350	08	03	00	09	01	08	07	00	0C	01	0D	0A	00	0C	03	00
160.375	0C	03	00	09	01	08	07	00	0E	01	0D	0A	00	0C	03	00
160.400	00	00	01	09	01	08	07	00	00	02	0D	0A	00	0C	03	00
160.425	04	00	01	09	01	08	07	00	02	02	0D	0A	00	0C	03	00
160.450	08	00	01	09	01	08	07	00	04	02	0D	0A	00	0C	03	00
160.475	0C	00	01	09	01	08	07	00	06	02	0D	0A	00	0C	03	00
160.500	00	01	01	09	01	08	07	00	08	02	0D	0A	00	0C	03	00
160.525	04	01	01	09	01	08	07	00	0A	02	0D	0A	00	0C	03	00
160.550	08	01	01	09	01	08	07	00	0C	02	0D	0A	00	0C	03	00
160.575	0C	01	01	09	01	08	07	00	0E	02	0D	0A	00	0C	03	00
160.600	00	02	01	09	01	08	07	00	00	03	0D	0A	00	0C	03	00
160.625	04	02	01	09	01	08	07	00	02	03	0D	0A	00	0C	03	00
160.650	08	02	01	09	01	08	07	00	04	03	0D	0A	00	0C	03	00
160.675	0C	02	01	09	01	08	07	00	06	03	0D	0A	00	0C	03	00
160.700	00	03	01	09	01	08	07	00	08	03	0D	0A	00	0C	03	00
160.725	04	03	01	09	01	08	07	00	0A	03	0D	0A	00	0C	03	00
160.750	08	03	01	09	01	08	07	00	0C	03	0D	0A	00	0C	03	00
160.775	0C	03	01	09	01	08	07	00	0E	03	0D	0A	00	0C	03	00
160.800	00	00	02	09	01	08	07	00	00	00	0E	0A	00	0C	03	00
160.825	04	00	02	09	01	08	07	00	02	00	0E	0A	00	0C	03	00
160.850	08	00	02	09	01	08	07	00	04	00	0E	0A	00	0C	03	00
160.875	0C	00	02	09	01	08	07	00	06	00	0E	0A	00	0C	03	00
160.900	00	01	02	09	01	08	07	00	08	00	0E	0A	00	0C	03	00
160.925	04	01	02	09	01	08	07	00	0A	00	0E	0A	00	0C	03	00
160.950	08	01	02	09	01	08	07	00	0C	00	0E	0A	00	0C	03	00
160.975	0C	01	02	09	01	08	07	00	0E	00	0E	0A	00	0C	03	00
161.000	00	02	02	09	01	08	07	00	00	01	0E	0A	00	0C	03	00
161.025	04	02	02	09	01	08	07	00	02	01	0E	0A	00	0C	03	00
161.050	08	02	02	09	01	08	07	00	04	01	0E	0A	00	0C	03	00
161.075	0C	02	02	09	01	08	07	00	06	01	0E	0A	00	0C	03	00
161.100	00	03	02	09	01	08	07	00	08	01	0E	0A	00	0C	03	00
161.125	04	03	02	09	01	08	07	00	0A	01	0E	0A	00	0C	03	00
161.150	08	03	02	09	01	08	07	00	0C	01	0E	0A	00	0C	03	00
161.175	0C	03	02	09	01	08	07	00	0E	01	0E	0A	00	0C	03	00
161.200	00	00	03	09	01	08	07	00	00	02	0E	0A	00	0C	03	00
161.225	04	00	03	09	01	08	07	00	02	02	0E	0A	00	0C	03	00
161.250	08	00	03	09	01	08	07	00	04	02	0E	0A	00	0C	03	00
161.275	0C	00	03	09	01	08	07	00	06	02	0E	0A	00	0C	03	00
161.300	00	01	03	09	01	08	07	00	08	02	0E	0A	00	0C	03	00
161.325	04	01	03	09	01	08	07	00	0A	02	0E	0A	00	0C	03	00
161.350	08	01	03	09	01	08	07	00	0C	02	0E	0A	00	0C	03	00
161.375	0C	01	03	09	01	08	07	00	0E	02	0E	0A	00	0C	03	00
161.400	00	02	03	09	01	08	07	00	00	03	0E	0A	00	0C	03	00
161.425	04	02	03	09	01	08	07	00	02	03	0E	0A	00	0C	03	00
161.450	08	02	03	09	01	08	07	00	04	03	0E	0A	00	0C	03	00
161.475	0C	02	03	09	01	08	07	00	06	03	0E	0A	00	0C	03	00

***H		— VHF TX PROGRAM —							— VHF RX PROGRAM —								
F (MHz)		0	1	2	3	4	5	6	7	0	1	2	3	4	5	6	7
		8	9	A	B	C	D	E	F	8	9	A	B	C	D	E	F
163.000	00 02 07 09 01 08 07 00	00	03	00	0B	00	0C	03	00	00	03	00	0B	00	0C	03	00
163.025	04 02 07 09 01 08 07 00	02	03	00	0B	00	0C	03	00	04	03	00	0B	00	0C	03	00
163.050	08 02 07 09 01 08 07 00	06	03	00	0B	00	0C	03	00	08	03	00	0B	00	0C	03	00
163.075	0C 02 07 09 01 08 07 00	0A	03	00	0B	00	0C	03	00	0E	02	02	0B	00	0C	03	00
163.100	00 03 07 09 01 08 07 00	00	03	00	0B	00	0C	03	00	0E	02	02	0B	00	0C	03	00
163.125	04 03 07 09 01 08 07 00	0A	03	00	0B	00	0C	03	00	00	03	02	0B	00	0C	03	00
163.150	08 03 07 09 01 08 07 00	0C	03	00	0B	00	0C	03	00	02	03	02	0B	00	0C	03	00
163.175	0C 03 07 09 01 08 07 00	0E	03	00	0B	00	0C	03	00	04	03	02	0B	00	0C	03	00
163.200	00 08 09 01 08 07 00	00	00	01	08	00	0C	03	00	06	03	02	0B	00	0C	03	00
163.225	04 00 08 09 01 08 07 00	02	00	01	08	00	0C	03	00	08	03	02	0B	00	0C	03	00
163.250	08 00 08 09 01 08 07 00	04	00	01	08	00	0C	03	00	0A	03	02	0B	00	0C	03	00
163.275	0C 00 08 09 01 08 07 00	06	00	01	08	00	0C	03	00	0E	03	02	0B	00	0C	03	00
163.300	00 01 08 09 01 08 07 00	08	00	01	08	00	0C	03	00	00	00	03	08	00	0C	03	00
163.325	04 01 08 09 01 08 07 00	0A	00	01	08	00	0C	03	00	02	00	03	08	00	0C	03	00
163.350	08 01 08 09 01 08 07 00	0C	00	01	08	00	0C	03	00	04	00	03	08	00	0C	03	00
163.375	0C 01 08 09 01 08 07 00	0E	00	01	08	00	0C	03	00	06	00	03	08	00	0C	03	00
163.400	00 02 08 09 01 08 07 00	00	01	01	08	00	0C	03	00	08	00	03	08	00	0C	03	00
163.425	04 02 08 09 01 08 07 00	02	01	01	08	00	0C	03	00	0A	00	03	08	00	0C	03	00
163.450	08 02 08 09 01 08 07 00	04	01	01	08	00	0C	03	00	0E	00	03	08	00	0C	03	00
163.475	0C 02 08 09 01 08 07 00	06	01	01	08	00	0C	03	00	00	01	03	08	00	0C	03	00
163.500	00 03 08 09 01 08 07 00	08	01	01	08	00	0C	03	00	0E	00	03	08	00	0C	03	00
163.525	04 03 08 09 01 08 07 00	0A	01	01	08	00	0C	03	00	02	01	03	08	00	0C	03	00
163.550	08 03 08 09 01 08 07 00	0C	01	01	08	00	0C	03	00	04	01	03	08	00	0C	03	00
163.575	0C 03 08 09 01 08 07 00	0E	01	01	08	00	0C	03	00	06	01	03	08	00	0C	03	00
163.600	00 04 09 01 08 07 00	00	02	01	08	00	0C	03	00	08	01	03	08	00	0C	03	00
163.625	04 00 09 01 08 07 00	02	02	01	08	00	0C	03	00	0A	01	03	08	00	0C	03	00
163.650	08 00 09 01 08 07 00	04	02	01	08	00	0C	03	00	0C	01	03	08	00	0C	03	00
163.675	0C 00 09 01 08 07 00	06	02	01	08	00	0C	03	00	0E	01	03	08	00	0C	03	00
163.700	00 01 09 01 08 07 00	08	02	01	08	00	0C	03	00	00	02	03	08	00	0C	03	00
163.725	04 01 09 01 08 07 00	0A	02	01	08	00	0C	03	00	02	02	03	08	00	0C	03	00
163.750	08 01 09 01 08 07 00	0C	02	01	08	00	0C	03	00	04	02	03	08	00	0C	03	00
163.775	0C 01 09 01 08 07 00	0E	02	01	08	00	0C	03	00	06	02	03	08	00	0C	03	00
163.800	00 02 09 01 08 07 00	00	03	01	08	00	0C	03	00	08	02	03	08	00	0C	03	00
163.825	04 02 09 01 08 07 00	02	03	01	08	00	0C	03	00	0A	02	03	08	00	0C	03	00
163.850	08 02 09 01 08 07 00	04	03	01	08	00	0C	03	00	0C	02	03	08	00	0C	03	00
163.875	0C 02 09 01 08 07 00	06	03	01	08	00	0C	03	00	0E	02	03	08	00	0C	03	00
163.900	00 03 09 01 08 07 00	08	03	01	08	00	0C	03	00	00	03	03	08	00	0C	03	00
163.925	04 03 09 01 08 07 00	0A	03	01	08	00	0C	03	00	02	03	03	08	00	0C	03	00
163.950	08 03 09 01 08 07 00	0C	03	01	08	00	0C	03	00	04	03	03	08	00	0C	03	00
163.975	0C 03 09 01 08 07 00	0E	03	01	08	00	0C	03	00	06	03	03	08	00	0C	03	00
164.000	00 00 0A 09 01 08 07 00	00	00	02	08	00	0C	03	00	08	03	03	08	00	0C	03	00
164.025	04 00 0A 09 01 08 07 00	02	00	02	08	00	0C	03	00	0A	03	03	08	00	0C	03	00
164.050	08 00 0A 09 01 08 07 00	04	00	02	08	00	0C	03	00	0C	03	03	08	00	0C	03	00
164.075	0C 00 0A 09 01 08 07 00	06	00	02	08	00	0C	03	00	0E	03	03	08	00	0C	03	00
164.100	00 01 0A 09 01 08 07 00	08	00	02	08	00	0C	03	00	00	03	03	08	00	0C	03	00
164.125	04 01 0A 09 01 08 07 00	0A	00	02	08	00	0C	03	00	02	00	04	08	00	0C	03	00
164.150	08 01 0A 09 01 08 07 00	0C	00	02	08	00	0C	03	00	04	00	04	08	00	0C	03	00
164.175	0C 01 0A 09 01 08 07 00	0E	00	02	08	00	0C	03	00	06	00	04	08	00	0C	03	00
164.200	00 02 0A 09 01 08 07 00	00	01	02	08	00	0C	03	00	08	00	04	08	00	0C	03	00
164.225	04 02 0A 09 01 08 07 00	02	01	02	08	00	0C	03	00	0A	00	04	08	00	0C	03	00
164.250	08 02 0A 09 01 08 07 00	04	01	02	08	00	0C	03	00	0C	00	04	08	00	0C	03	00
164.275	0C 02 0A 09 01 08 07 00	06	01	02	08	00	0C	03	00	0E	00	04	08	00	0C	03	00
164.300	00 03 0A 09 01 08 07 00	08	01	02	08	00	0C	03	00	00	01	04	08	00	0C	03	00
164.325	04 03 0A 09 01 08 07 00	0A	01	02	08	00	0C	03	00	02	01	04	08	00	0C	03	00
164.350	08 03 0A 09 01 08 07 00	0C	01	02	08	00	0C	03	00	04	01	04	08	00	0C	03	00
164.375	0C 03 0A 09 01 08 07 00	0E	01	02	08	00	0C	03	00	06	01	04	08	00	0C	03	00
164.400	00 00 0B 09 01 08 07 00	00	02	02	08	00	0C	03	00	08	01	04	08	00	0C	03	00
164.425	04 00 0B 09 01 08 07 00	02	02	02	08	00	0C	03	00	0A	01	04	08	00	0C	03	00
164.450	08 00 0B 09 01 08 07 00	04	02	02	08	00	0C	03	00	0C	01	04	08	00	0C	03	00
164.475	0C 00 0B 09 01 08 07 00	06	02	02	08	00	0C	03	00	0E	01	04	08	00	0C	03	00

***H	VHF TX PROGRAM							VHF RX PROGRAM									
	F (MHz)	0	1	2	3	4	5	6	7	8	9	A	B	C	D	E	F
165.000	00	00	0F	09	01	08	07	00	00	02	04	08	00	0C	03	00	
166.025	04	03	0F	09	01	08	07	00	02	02	04	08	00	0C	03	00	
166.050	08	00	0F	09	01	08	07	00	04	02	04	08	00	0C	03	00	
166.075	0C	00	0F	09	01	08	07	00	06	02	04	08	00	0C	03	00	
166.100	00	01	0F	09	01	08	07	00	08	02	04	08	00	0C	03	00	
166.125	04	01	0F	09	01	08	07	00	0A	02	04	08	00	0C	03	00	
166.150	08	01	0F	09	01	08	07	00	0C	02	04	08	00	0C	03	00	
166.175	0C	01	0F	09	01	08	07	00	0E	02	04	08	00	0C	03	00	
166.200	00	02	0F	09	01	08	07	00	00	03	04	08	00	0C	03	00	
166.225	04	02	0F	09	01	08	07	00	02	03	04	08	00	0C	03	00	
166.250	08	02	0F	09	01	08	07	00	04	03	04	08	00	0C	03	00	
166.275	0C	02	0F	09	01	08	07	00	06	03	04	08	00	0C	03	00	
166.300	00	03	0F	09	01	08	07	00	08	03	04	08	00	0C	03	00	
166.325	04	03	0F	09	01	08	07	00	0A	03	04	08	00	0C	03	00	
166.350	08	03	0F	09	01	08	07	00	0C	03	04	08	00	0C	03	00	
166.375	0C	03	0F	09	01	08	07	00	0E	03	04	08	00	0C	03	00	
166.400	00	00	00	0A	01	08	07	00	00	00	05	08	00	0C	03	00	
166.425	04	00	00	0A	01	08	07	00	02	00	05	08	00	0C	03	00	
166.450	08	00	00	0A	01	08	07	00	04	00	05	08	00	0C	03	00	
166.475	0C	00	00	0A	01	08	07	00	06	00	05	08	00	0C	03	00	
166.500	00	01	00	0A	01	08	07	00	08	00	05	08	00	0C	03	00	
166.525	04	01	00	0A	01	08	07	00	0A	00	05	08	00	0C	03	00	
166.550	08	01	00	0A	01	08	07	00	0C	00	05	08	00	0C	03	00	
166.575	0C	01	00	0A	01	08	07	00	0E	00	05	08	00	0C	03	00	
166.600	00	02	00	0A	01	08	07	00	00	01	05	08	00	0C	03	00	
166.625	04	02	00	0A	01	08	07	00	02	01	05	08	00	0C	03	00	
166.650	08	02	00	0A	01	08	07	00	04	01	05	08	00	0C	03	00	
166.675	0C	02	00	0A	01	08	07	00	06	01	05	08	00	0C	03	00	
166.700	00	03	00	0A	01	08	07	00	08	01	05	08	00	0C	03	00	
166.725	04	03	00	0A	01	08	07	00	0A	01	05	08	00	0C	03	00	
166.750	08	03	00	0A	01	08	07	00	0C	01	05	08	00	0C	03	00	
166.775	0C	03	00	0A	01	08	07	00	0E	01	05	08	00	0C	03	00	
166.800	00	00	01	0A	01	08	07	00	00	02	05	08	00	0C	03	00	
166.825	04	00	01	0A	01	08	07	00	02	02	05	08	00	0C	03	00	
166.850	08	00	01	0A	01	08	07	00	04	02	05	08	00	0C	03	00	
166.875	0C	00	01	0A	01	08	07	00	06	02	05	08	00	0C	03	00	
166.900	00	01	01	0A	01	08	07	00	08	02	05	08	00	0C	03	00	
166.925	04	01	01	0A	01	08	07	00	0A	02	05	08	00	0C	03	00	
166.950	08	01	01	0A	01	08	07	00	0C	02	05	08	00	0C	03	00	
166.975	0C	01	01	0A	01	08	07	00	0E	02	05	08	00	0C	03	00	
167.000	00	02	01	0A	01	08	07	00	00	03	05	08	00	0C	03	00	
167.025	04	02	01	0A	01	08	07	00	02	03	05	08	00	0C	03	00	
167.050	08	02	01	0A	01	08	07	00	04	03	05	08	00	0C	03	00	
167.075	0C	02	01	0A	01	08	07	00	06	03	05	08	00	0C	03	00	
167.100	00	03	01	0A	01	08	07	00	08	03	05	08	00	0C	03	00	
167.125	04	03	01	0A	01	08	07	00	0A	03	05	08	00	0C	03	00	
167.150	08	03	01	0A	01	08	07	00	0C	03	05	08	00	0C	03	00	
167.175	0C	03	01	0A	01	08	07	00	0E	03	05	08	00	0C	03	00	
167.200	00	00	02	0A	01	08	07	00	00	00	06	08	00	0C	03	00	
167.225	04	00	02	0A	01	08	07	00	02	00	06	08	00	0C	03	00	
167.250	08	00	02	0A	01	08	07	00	04	00	06	08	00	0C	03	00	
167.275	0C	00	02	0A	01	08	07	00	06	00	06	08	00	0C	03	00	
167.300	00	01	02	0A	01	08	07	00	08	00	06	08	00	0C	03	00	
167.325	04	01	02	0A	01	08	07	00	0A	00	06	08	00	0C	03	00	
167.350	08	01	02	0A	01	08	07	00	0C	00	06	08	00	0C	03	00	
167.375	0C	01	02	0A	01	08	07	00	0E	00	06	08	00	0C	03	00	
167.400	00	02	02	0A	01	08	07	00	00	01	06	08	00	0C	03	00	
167.425	04	02	02	0A	01	08	07	00	02	01	06	08	00	0C	03	00	
167.450	08	02	02	0A	01	08	07	00	04	01	06	08	00	0C	03	00	
167.475	0C	02	02	0A	01	08	07	00	06	01	06	08	00	0C	03	00	



***H	VHF TX PROGRAM							VHF RX PROGRAM									
	F (MHz)	0	1	2	3	4	5	6	7	0	1	2	3	4	5	6	7
172.000	00	00	0E	0A	01	08	07	00	00	00	0C	0B	00	0C	03	00	00
172.025	04	00	0E	0A	01	08	07	00	02	00	0C	0B	00	0C	03	00	00
172.050	08	00	0E	0A	01	08	07	00	04	00	0C	0B	00	0C	03	00	00
172.075	0C	00	0E	0A	01	08	07	00	06	00	0C	0B	00	0C	03	00	00
172.100	00	01	0E	0A	01	08	07	00	08	00	0C	0B	00	0C	03	00	00
172.125	04	01	0E	0A	01	08	07	00	0A	00	0C	0B	00	0C	03	00	00
172.150	08	01	0E	0A	01	08	07	00	0C	00	0C	0B	00	0C	03	00	00
172.175	0C	01	0E	0A	01	08	07	00	0E	00	0C	0B	00	0C	03	00	00
172.200	00	02	0E	0A	01	08	07	00	00	01	0C	0B	00	0C	03	00	00
172.225	04	02	0E	0A	01	08	07	00	02	01	0C	0B	00	0C	03	00	00
172.250	08	02	0E	0A	01	08	07	00	04	01	0C	0B	00	0C	03	00	00
172.275	0C	02	0E	0A	01	08	07	00	06	01	0C	0B	00	0C	03	00	00
172.300	00	03	0E	0A	01	08	07	00	08	01	0C	0B	00	0C	03	00	00
172.325	04	03	0E	0A	01	08	07	00	0A	01	0C	0B	00	0C	03	00	00
172.350	08	03	0E	0A	01	08	07	00	0C	01	0C	0B	00	0C	03	00	00
172.375	0C	03	0E	0A	01	08	07	00	0E	01	0C	0B	00	0C	03	00	00
172.400	00	00	0F	0A	01	08	07	00	00	02	0C	0B	00	0C	03	00	00
172.425	04	00	0F	0A	01	08	07	00	02	02	0C	0B	00	0C	03	00	00
172.450	08	00	0F	0A	01	08	07	00	04	02	0C	0B	00	0C	03	00	00
172.475	0C	00	0F	0A	01	08	07	00	06	02	0C	0B	00	0C	03	00	00
172.500	00	01	0F	0A	01	08	07	00	08	02	0C	0B	00	0C	03	00	00
172.525	04	01	0F	0A	01	08	07	00	0A	02	0C	0B	00	0C	03	00	00
172.550	08	01	0F	0A	01	08	07	00	0C	02	0C	0B	00	0C	03	00	00
172.575	0C	01	0F	0A	01	08	07	00	0E	02	0C	0B	00	0C	03	00	00
172.600	00	02	0F	0A	01	08	07	00	00	03	0C	0B	00	0C	03	00	00
172.625	04	02	0F	0A	01	08	07	00	02	03	0C	0B	00	0C	03	00	00
172.650	08	02	0F	0A	01	08	07	00	04	03	0C	0B	00	0C	03	00	00
172.675	0C	02	0F	0A	01	08	07	00	06	03	0C	0B	00	0C	03	00	00
172.700	00	03	0F	0A	01	08	07	00	08	03	0C	0B	00	0C	03	00	00
172.725	04	03	0F	0A	01	08	07	00	0A	03	0C	0B	00	0C	03	00	00
172.750	08	03	0F	0A	01	08	07	00	0C	03	0C	0B	00	0C	03	00	00
172.775	0C	03	0F	0A	01	08	07	00	0E	03	0C	0B	00	0C	03	00	00
172.800	00	00	0B	01	08	07	00	00	00	00	0D	0B	00	0C	03	00	00
172.825	04	00	0B	01	08	07	00	02	00	00	0D	0B	00	0C	03	00	00
172.850	08	00	0B	01	08	07	00	04	00	00	0D	0B	00	0C	03	00	00
172.875	0C	00	0B	01	08	07	00	06	00	00	0D	0B	00	0C	03	00	00
172.900	00	01	0B	01	08	07	00	08	00	00	0D	0B	00	0C	03	00	00
172.925	04	01	0B	01	08	07	00	0A	00	00	0D	0B	00	0C	03	00	00
172.950	08	01	0B	01	08	07	00	0C	00	00	0D	0B	00	0C	03	00	00
172.975	0C	01	0B	01	08	07	00	0E	00	00	0D	0B	00	0C	03	00	00
173.000	00	02	0B	01	08	07	00	00	01	00	0D	0B	00	0C	03	00	00
173.025	04	02	0B	01	08	07	00	02	01	00	0D	0B	00	0C	03	00	00
173.050	08	02	0B	01	08	07	00	04	01	00	0D	0B	00	0C	03	00	00
173.075	0C	02	0B	01	08	07	00	06	01	00	0D	0B	00	0C	03	00	00
173.100	00	03	0B	01	08	07	00	08	01	00	0D	0B	00	0C	03	00	00
173.125	04	03	0B	01	08	07	00	0A	01	00	0D	0B	00	0C	03	00	00
173.150	08	03	0B	01	08	07	00	0C	01	00	0D	0B	00	0C	03	00	00
173.175	0C	03	0B	01	08	07	00	0E	01	00	0D	0B	00	0C	03	00	00
173.200	00	00	01	0B	01	08	07	00	00	02	0D	0B	00	0C	03	00	00
173.225	04	00	01	0B	01	08	07	00	02	02	0D	0B	00	0C	03	00	00
173.250	08	00	01	0B	01	08	07	00	04	02	0D	0B	00	0C	03	00	00
173.275	0C	00	01	0B	01	08	07	00	06	02	0D	0B	00	0C	03	00	00
173.300	00	01	01	0B	01	08	07	00	08	02	0D	0B	00	0C	03	00	00
173.325	04	01	01	0B	01	08	07	00	0A	02	0D	0B	00	0C	03	00	00
173.350	08	01	01	0B	01	08	07	00	0C	02	0D	0B	00	0C	03	00	00
173.375	0C	01	01	0B	01	08	07	00	0E	02	0D	0B	00	0C	03	00	00
173.400	00	02	01	0B	01	08	07	00	00	03	0D	0B	00	0C	03	00	00
173.425	04	02	01	0B	01	08	07	00	02	03	0D	0B	00	0C	03	00	00
173.450	08	02	01	0B	01	08	07	00	04	03	0D	0B	00	0C	03	00	00
173.475	0C	02	01	0B	01	08	07	00	06	03	0D	0B	00	0C	03	00	00

VHF TX PROGRAM  
0 1 2 3 4 5 6 7  
8 9 A B C D E F

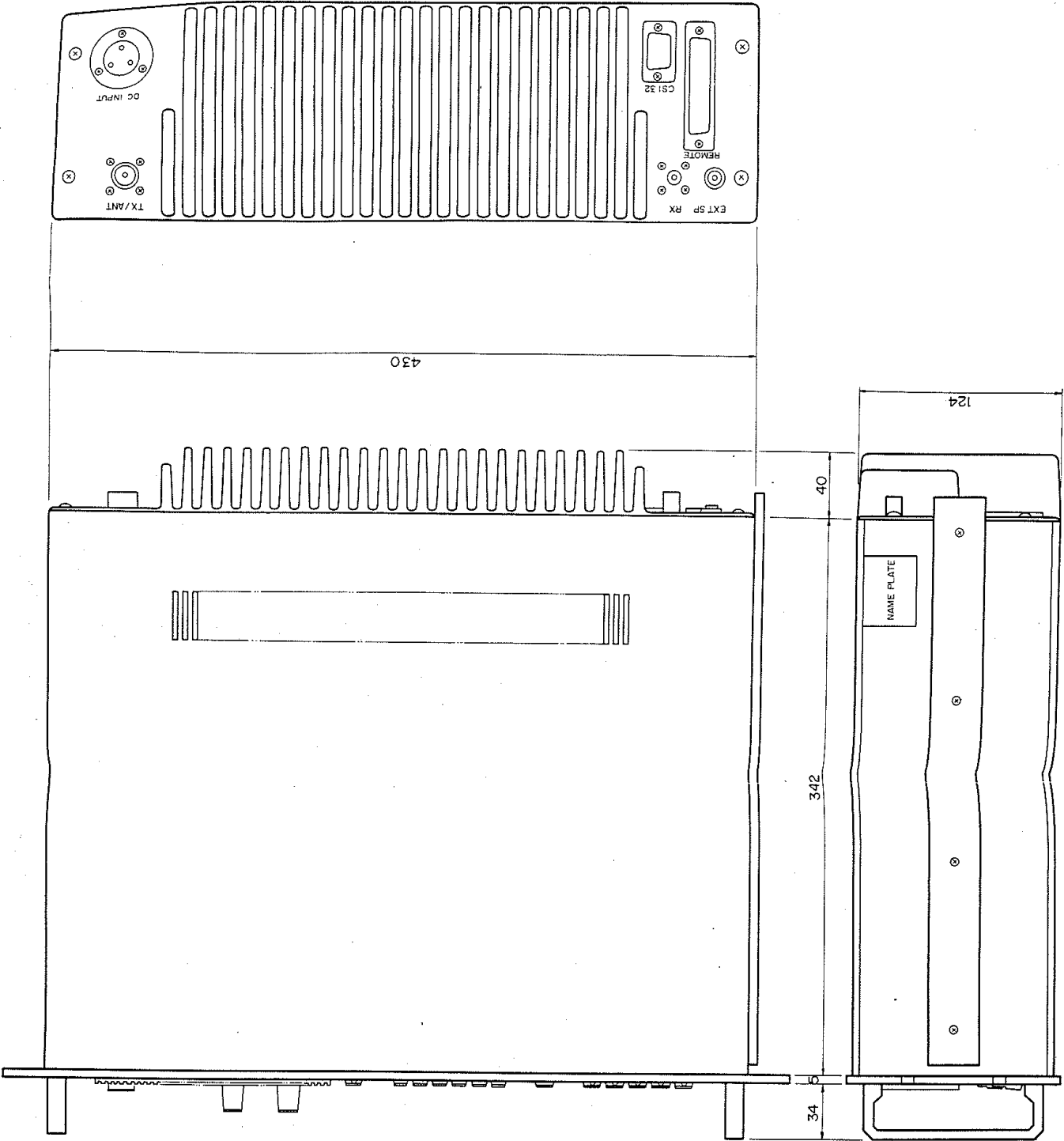
VHF RX PROGRAM  
0 1 2 3 4 5 6 7  
8 9 A B C D E F

F (MHz)

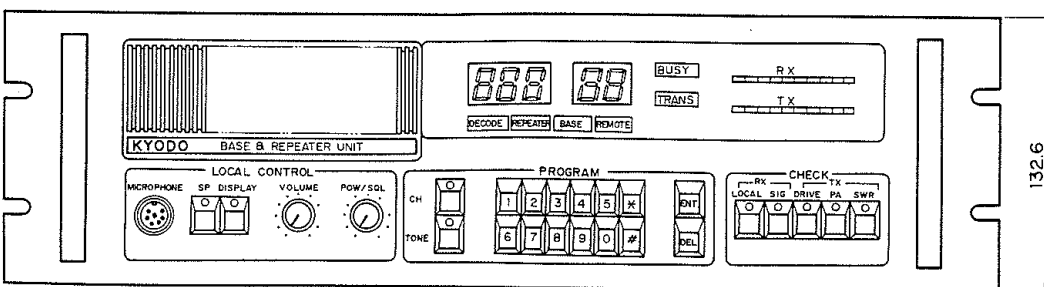


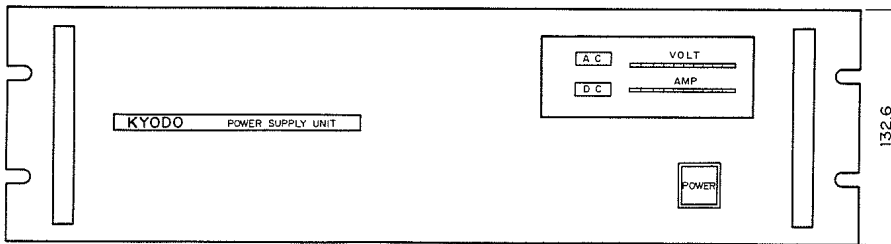
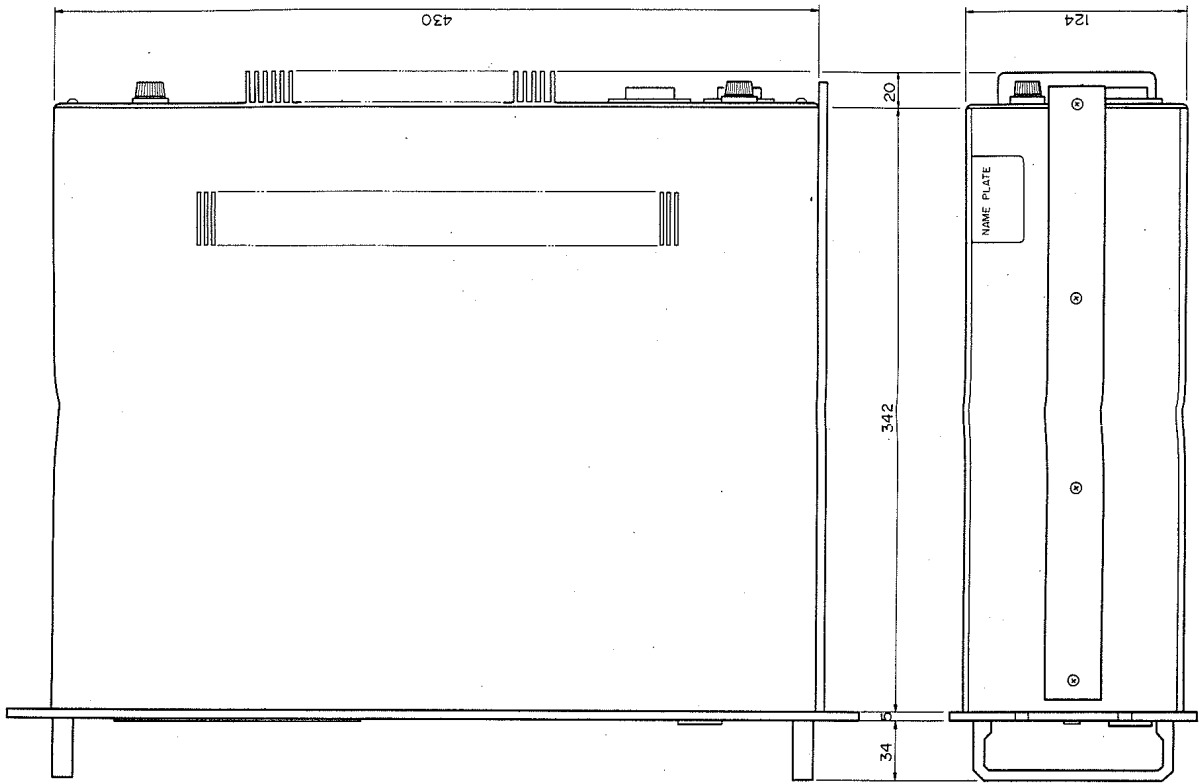
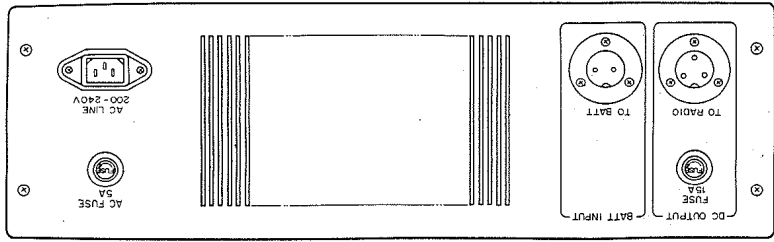
**TECHNICAL DRAWINGS**

OUTLINE DRAWING  
FOR  
KG110 TX/RX UNIT



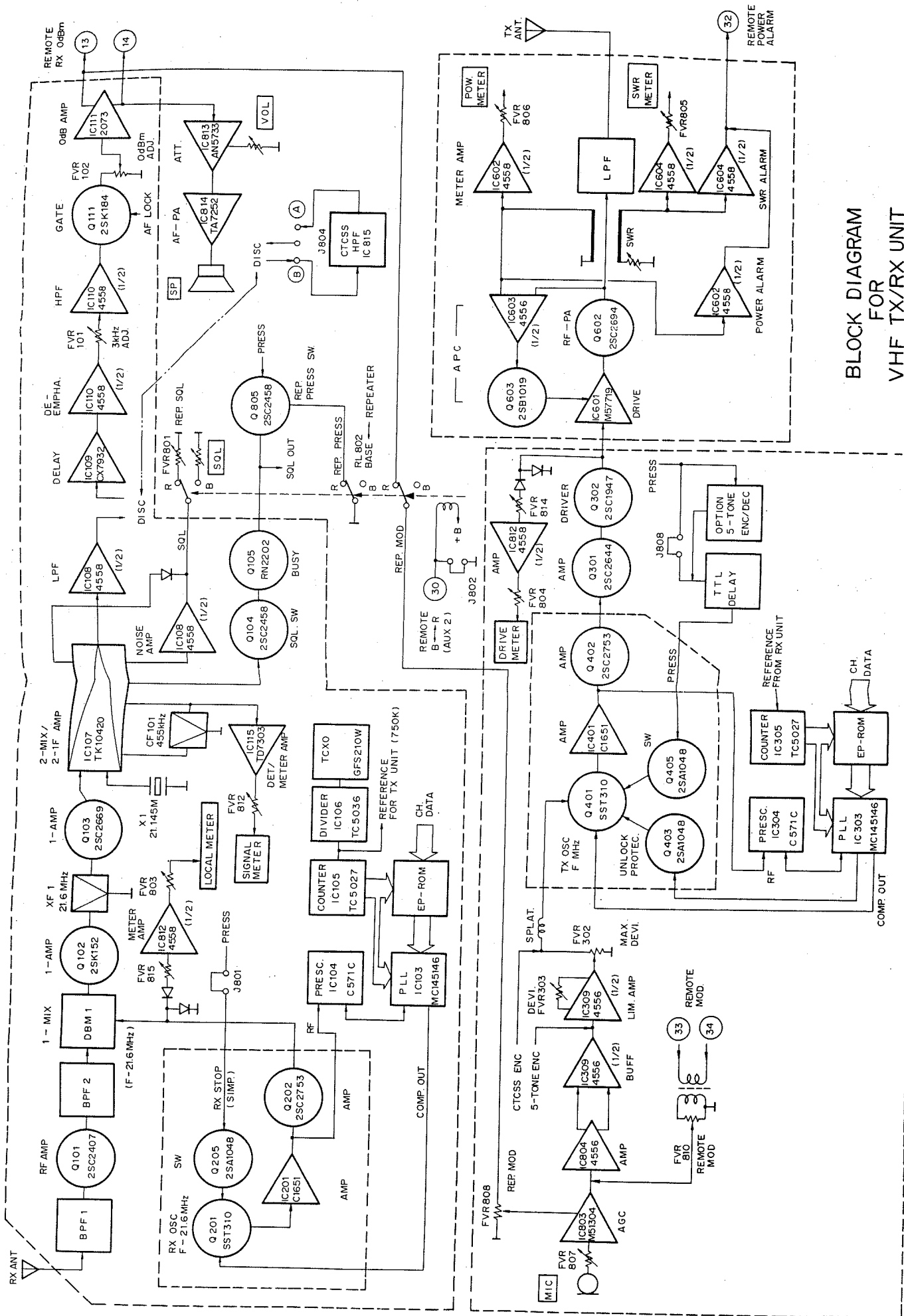
UNIT : mm



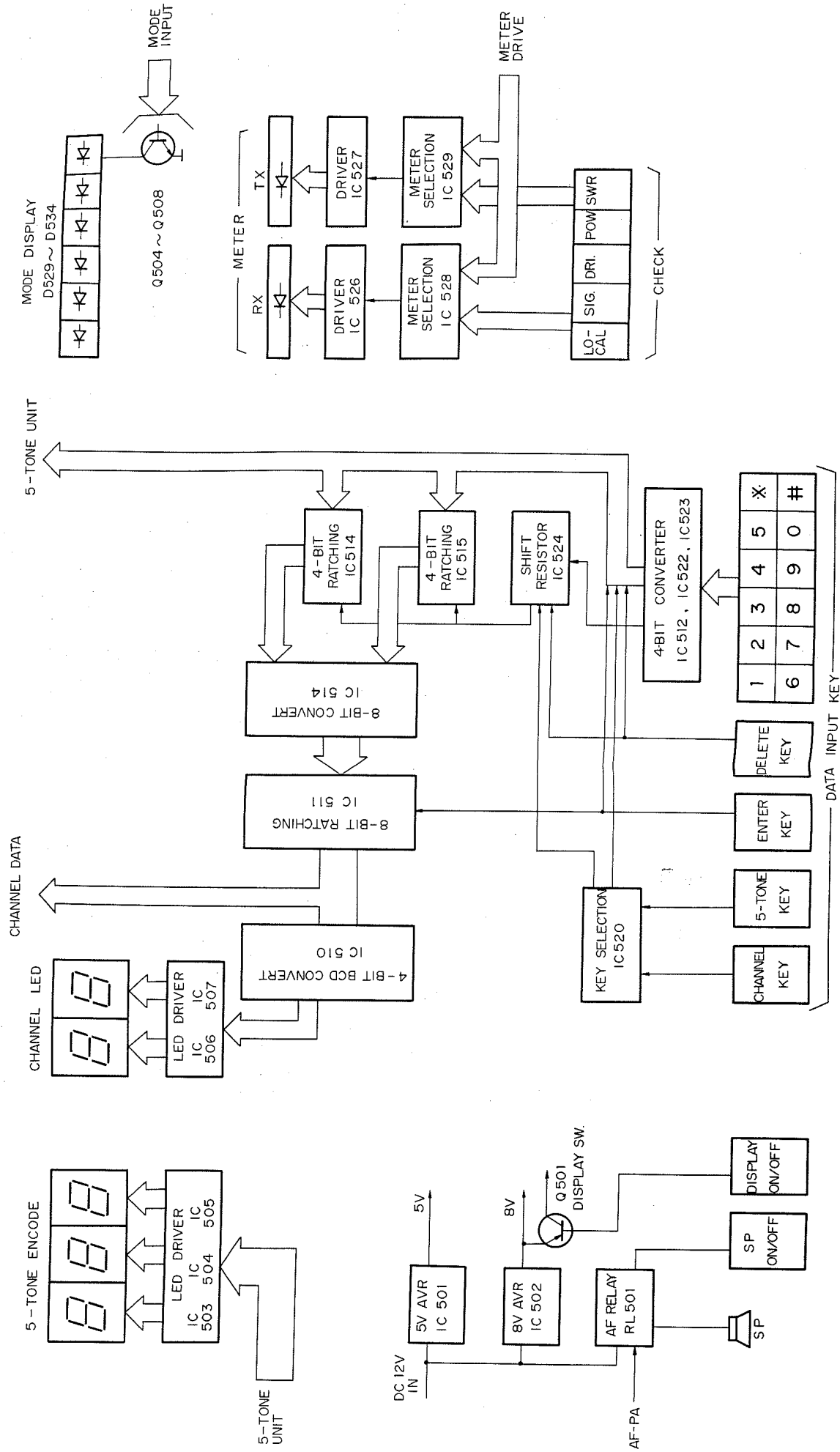


OUTLINE DRAWING  
FOR  
PS110 POWER SUPPLY UNIT

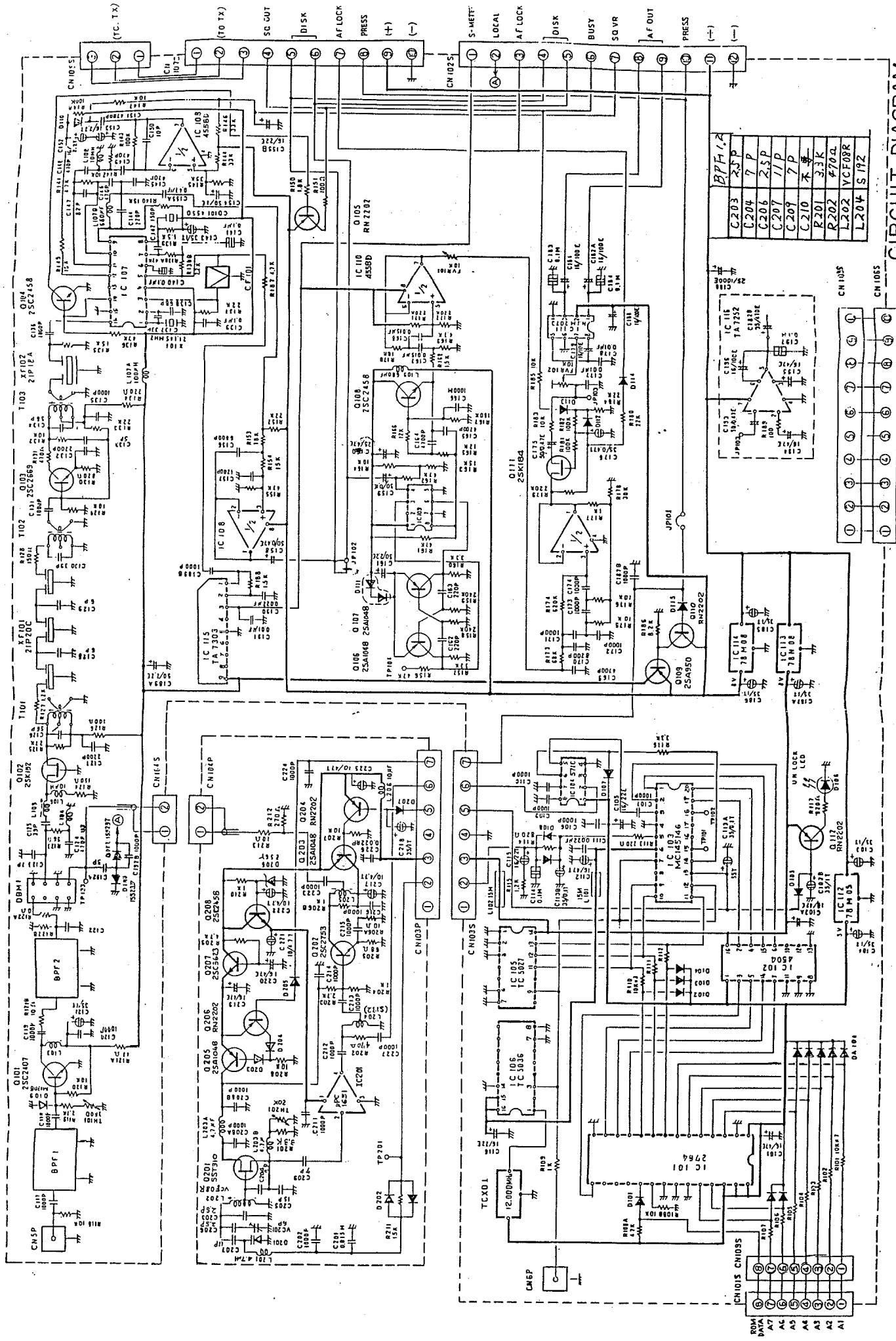
UNIT : mm



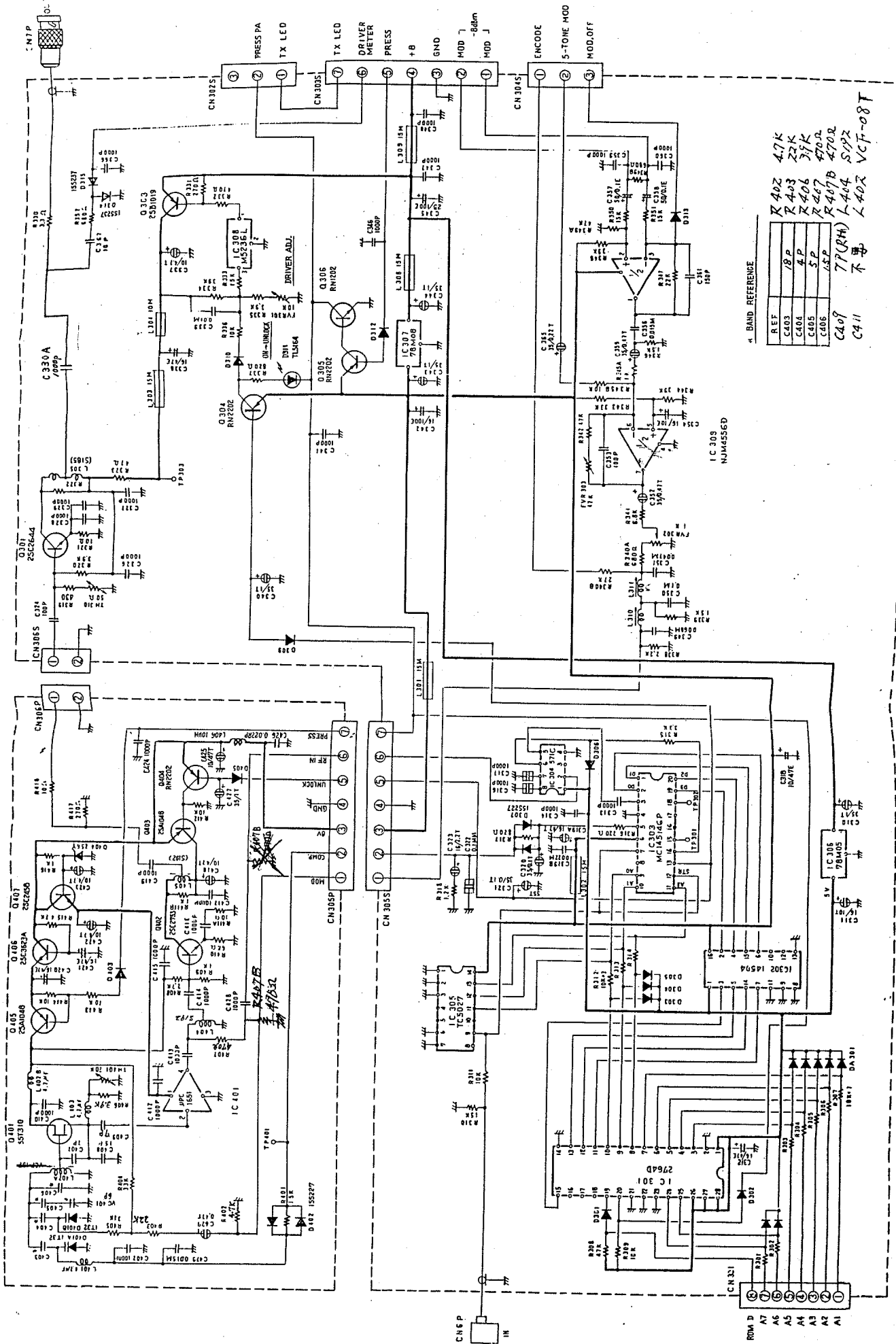
BLOCK DIAGRAM FOR VHF TX/RX UNIT



BLOCK DIAGRAM  
FOR  
FRONT PANEL UNIT



CIRCUIT DIAGRAM



4. BAND REFERENCE

REF	CODE	VALUE
R 402	47K	
R 403	22K	
R 406	39K	
R 407	4700	
R 407B	4700	
L 404	500µE	
L 402	VCF-08T	

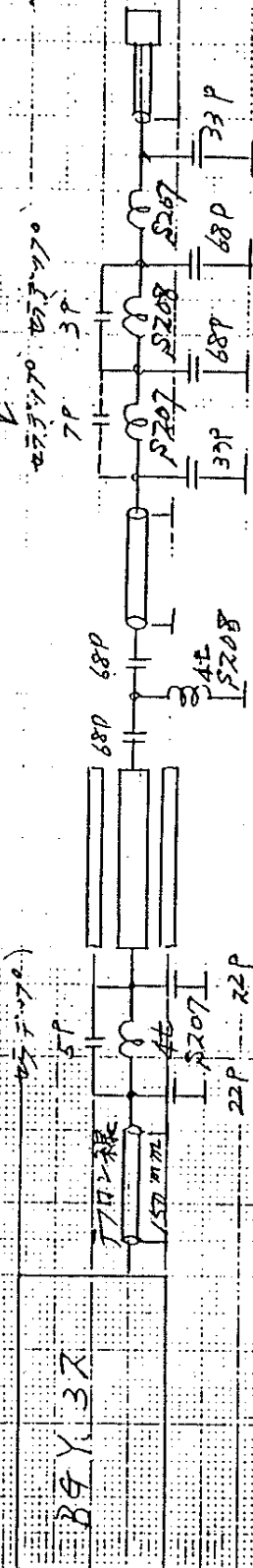
CA09  
CA11

CIRCUIT DIAGRAM

1987.10.30

K9 110. 80 MHz. PA 部

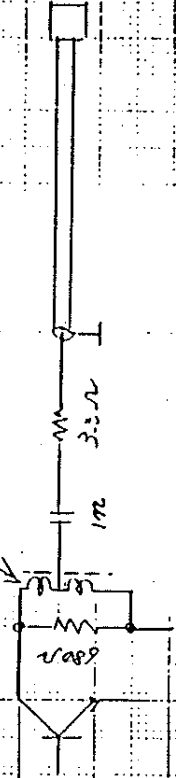
入力端子



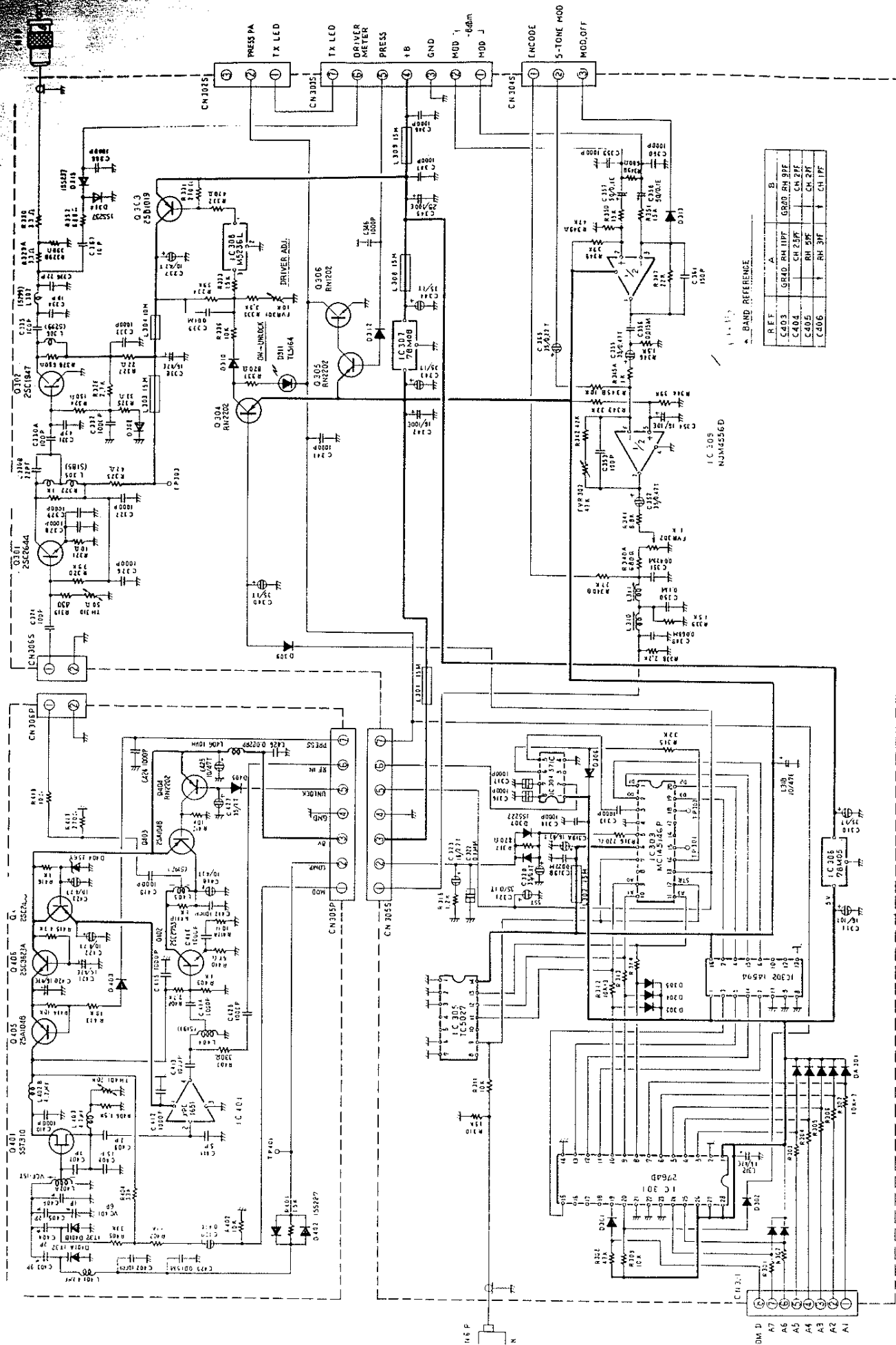
(出力は、E-出力用)

出力端子

2SC2644 E-出力用







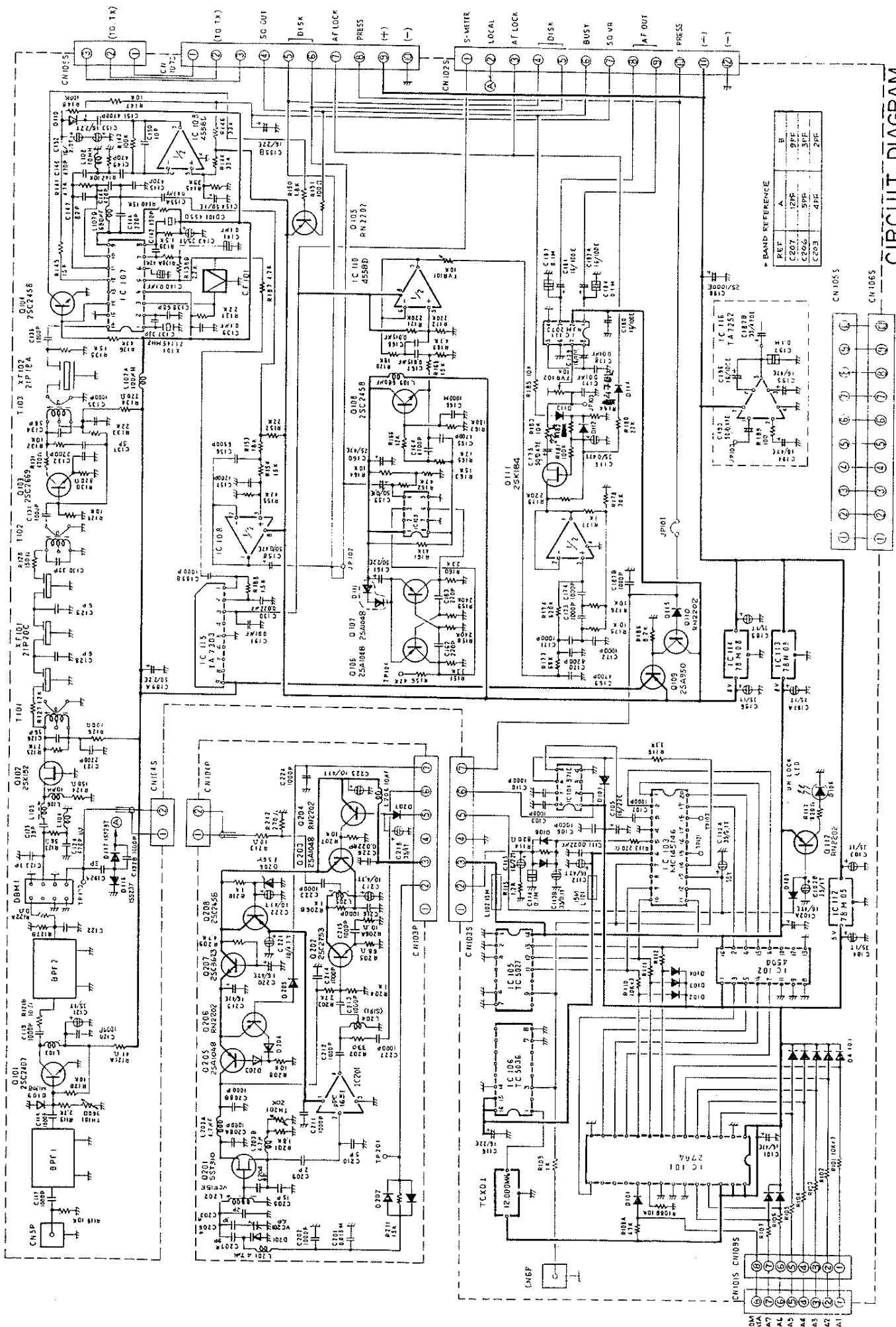
BAND REFERENCE

REF.	A	B
C403	GR40 RH 10PF	GR40 RH 91PF
C404	CR 25PF	CR 21PF
C405	RH 5PF	CH 21F
C406		CH 11F

CIRCUIT DIAGRAM FOR

150 MHz

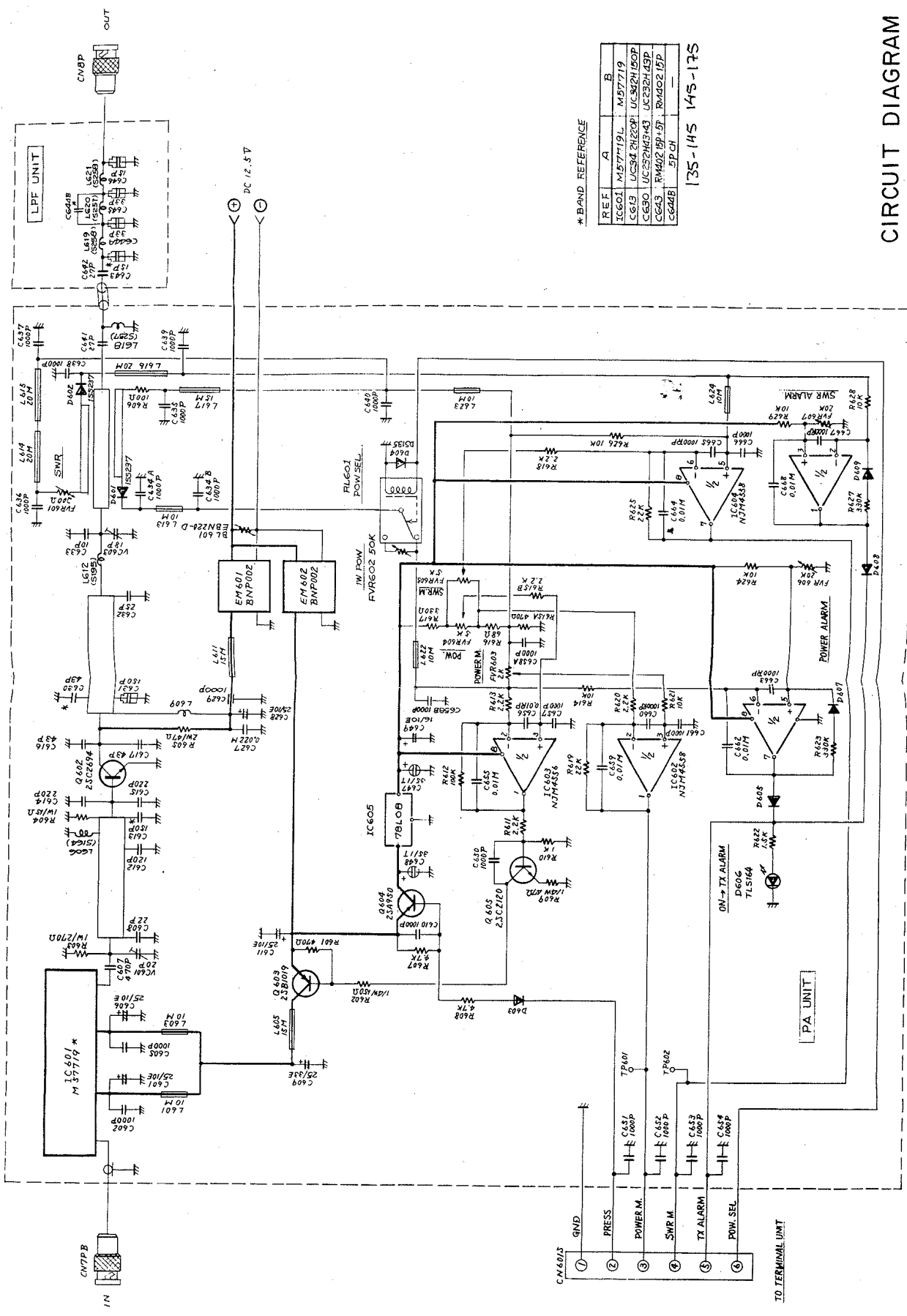
KG110 TX VHF MAIN UNIT



CIRCUIT DIAGRAM FOR KG110 RX VHF N N UNIT 150 MHz

BAND REFERENCE

REF	A	B
C207	12PF	9PF
C206	3PF	3PF
C203	4PF	2PF



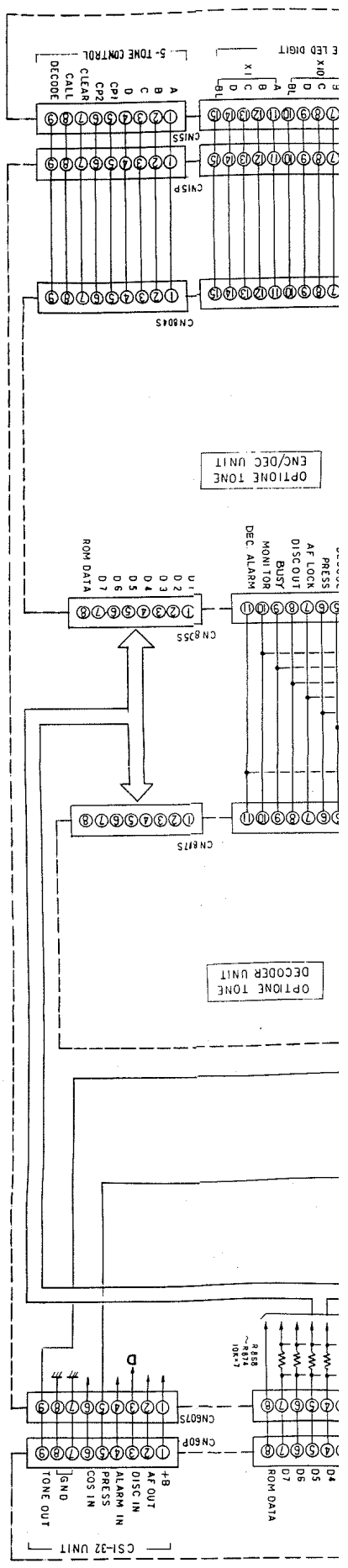
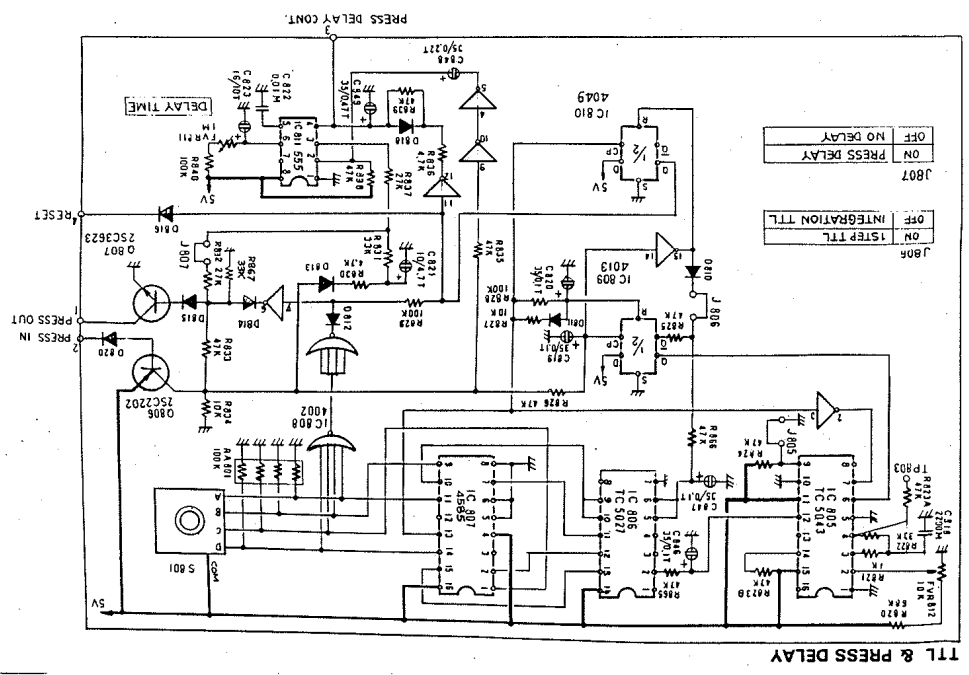
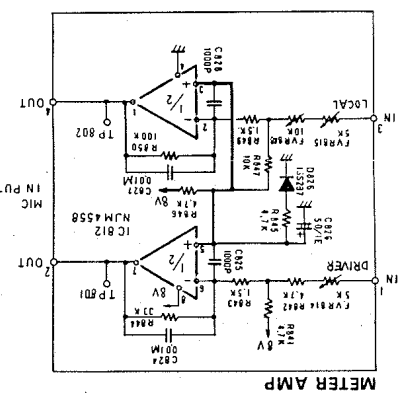
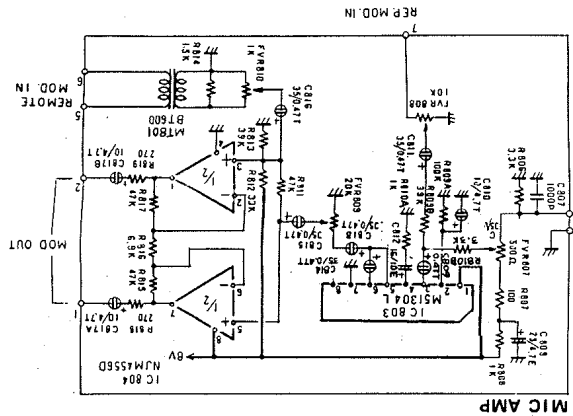
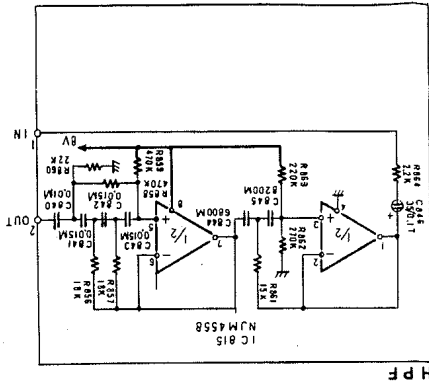
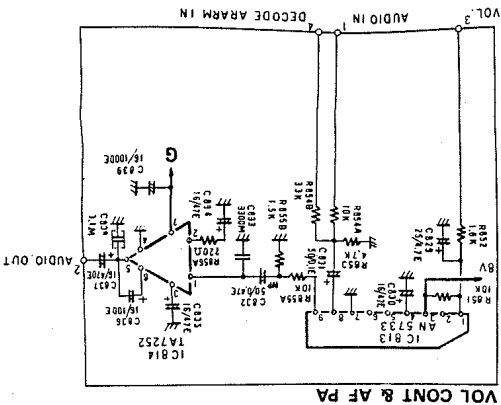
\* BAND REFERENCE

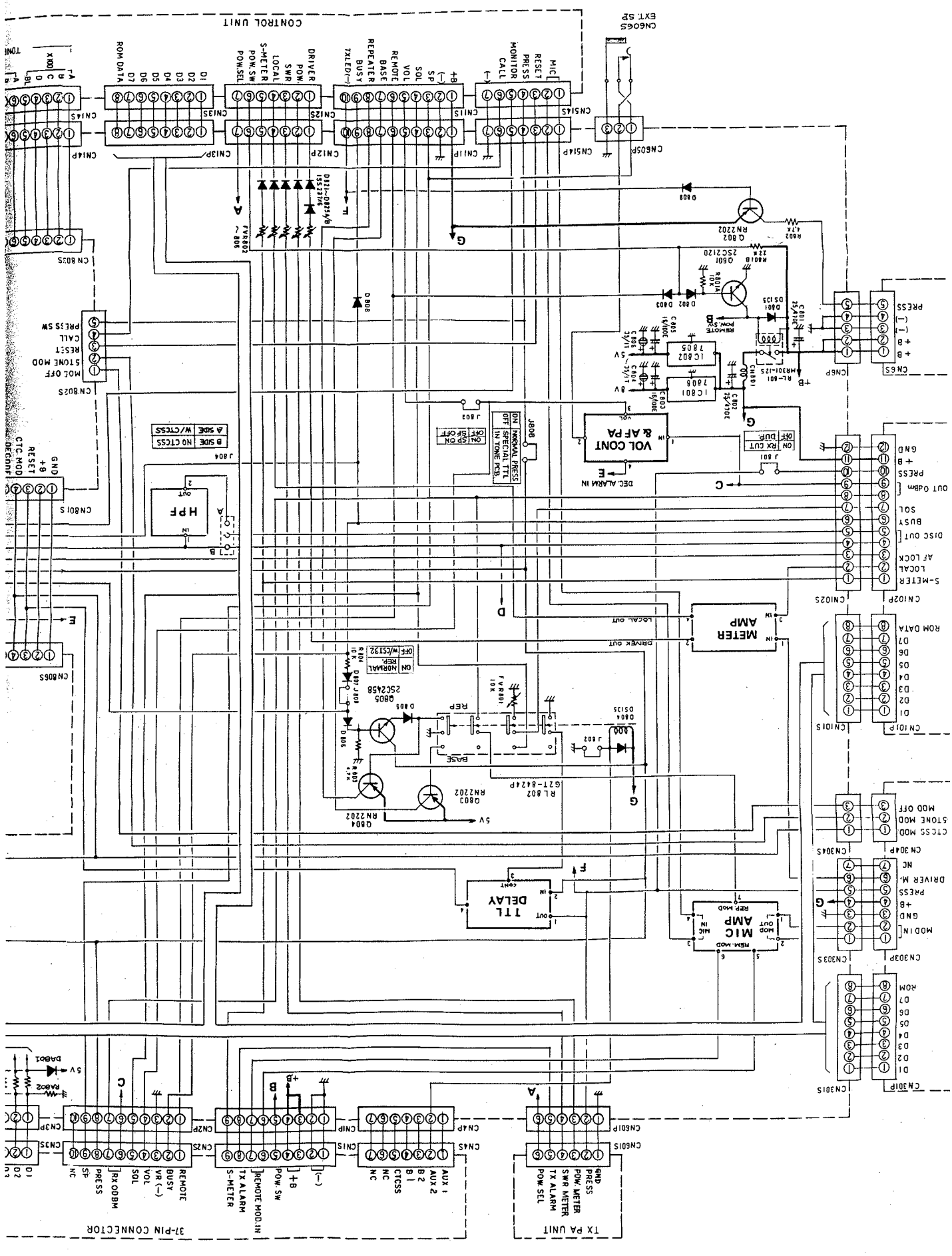
REF	A	B
IC601	M57719L	M57719
C613	UC594 2K20P	UC594H 100P
C630	UC532 2K45P43	UC532H 100P
C643	RV402 10P 5P	RV402 10P
C644B	5P CH	

135-145 145-175

CIRCUIT DIAGRAM  
FOR  
KG110 VHF PA UNIT

# K6110 TERMINAL CONTROL UNIT FOR CIRCUIT DIAGRAM





**CONTROL UNIT**

- 1 (+B)
- 2 (SP)
- 3 (SOL)
- 4 (VOL)
- 5 (REMOTE)
- 6 (BASE)
- 7 (REFRATER)
- 8 (BUSY)
- 9 (TX ALARM)

- 1 (MIC)
- 2 (RESCT)
- 3 (PRES)
- 4 (MONITOR)
- 5 (CALL)
- 6 (+B)
- 7 (SOL)
- 8 (VOL)
- 9 (REMOTE)

- 1 (DRIVER)
- 2 (POW)
- 3 (SWR)
- 4 (LOCAL)
- 5 (S-METER)
- 6 (POW SW)
- 7 (POWSEL)
- 8 (TX ALARM)
- 9 (S-METER)

- 1 (D1)
- 2 (D2)
- 3 (D3)
- 4 (D4)
- 5 (D5)
- 6 (D6)
- 7 (D7)
- 8 (D8)
- 9 (D9)

- 1 (CN801S)
- 2 (CN802S)
- 3 (CN803S)
- 4 (CN804S)
- 5 (CN805S)

- 1 (CN514P)
- 2 (CN515P)
- 3 (CN516P)
- 4 (CN517P)
- 5 (CN518P)

- 1 (CN301P)
- 2 (CN302P)
- 3 (CN303P)
- 4 (CN304P)
- 5 (CN305P)

- 1 (GND)
- 2 (+B)
- 3 (RESCT)
- 4 (MOL OFF)
- 5 (STONE MOD)
- 6 (CALL)
- 7 (PRES SW)

- 1 (GND)
- 2 (+B)
- 3 (RESCT)
- 4 (MOL OFF)
- 5 (STONE MOD)
- 6 (CALL)
- 7 (PRES SW)

- 1 (GND)
- 2 (+B)
- 3 (RESCT)
- 4 (MOL OFF)
- 5 (STONE MOD)
- 6 (CALL)
- 7 (PRES SW)

- 1 (GND)
- 2 (+B)
- 3 (RESCT)
- 4 (MOL OFF)
- 5 (STONE MOD)
- 6 (CALL)
- 7 (PRES SW)

- 1 (GND)
- 2 (+B)
- 3 (RESCT)
- 4 (MOL OFF)
- 5 (STONE MOD)
- 6 (CALL)
- 7 (PRES SW)

- 1 (GND)
- 2 (+B)
- 3 (RESCT)
- 4 (MOL OFF)
- 5 (STONE MOD)
- 6 (CALL)
- 7 (PRES SW)

- 1 (GND)
- 2 (+B)
- 3 (RESCT)
- 4 (MOL OFF)
- 5 (STONE MOD)
- 6 (CALL)
- 7 (PRES SW)

- 1 (GND)
- 2 (+B)
- 3 (RESCT)
- 4 (MOL OFF)
- 5 (STONE MOD)
- 6 (CALL)
- 7 (PRES SW)

- 1 (GND)
- 2 (+B)
- 3 (RESCT)
- 4 (MOL OFF)
- 5 (STONE MOD)
- 6 (CALL)
- 7 (PRES SW)

- 1 (GND)
- 2 (+B)
- 3 (RESCT)
- 4 (MOL OFF)
- 5 (STONE MOD)
- 6 (CALL)
- 7 (PRES SW)

- 1 (GND)
- 2 (+B)
- 3 (RESCT)
- 4 (MOL OFF)
- 5 (STONE MOD)
- 6 (CALL)
- 7 (PRES SW)

- 1 (GND)
- 2 (+B)
- 3 (RESCT)
- 4 (MOL OFF)
- 5 (STONE MOD)
- 6 (CALL)
- 7 (PRES SW)

- 1 (GND)
- 2 (+B)
- 3 (RESCT)
- 4 (MOL OFF)
- 5 (STONE MOD)
- 6 (CALL)
- 7 (PRES SW)

- 1 (GND)
- 2 (+B)
- 3 (RESCT)
- 4 (MOL OFF)
- 5 (STONE MOD)
- 6 (CALL)
- 7 (PRES SW)

- 1 (GND)
- 2 (+B)
- 3 (RESCT)
- 4 (MOL OFF)
- 5 (STONE MOD)
- 6 (CALL)
- 7 (PRES SW)

- 1 (GND)
- 2 (+B)
- 3 (RESCT)
- 4 (MOL OFF)
- 5 (STONE MOD)
- 6 (CALL)
- 7 (PRES SW)

- 1 (GND)
- 2 (+B)
- 3 (RESCT)
- 4 (MOL OFF)
- 5 (STONE MOD)
- 6 (CALL)
- 7 (PRES SW)

- 1 (GND)
- 2 (+B)
- 3 (RESCT)
- 4 (MOL OFF)
- 5 (STONE MOD)
- 6 (CALL)
- 7 (PRES SW)

- 1 (GND)
- 2 (+B)
- 3 (RESCT)
- 4 (MOL OFF)
- 5 (STONE MOD)
- 6 (CALL)
- 7 (PRES SW)

- 1 (GND)
- 2 (+B)
- 3 (RESCT)
- 4 (MOL OFF)
- 5 (STONE MOD)
- 6 (CALL)
- 7 (PRES SW)

**TX PA UNIT**

- 1 (GND)
- 2 (PRES)
- 3 (METER)
- 4 (SWR METER)
- 5 (TX ALARM)
- 6 (POW SEL)

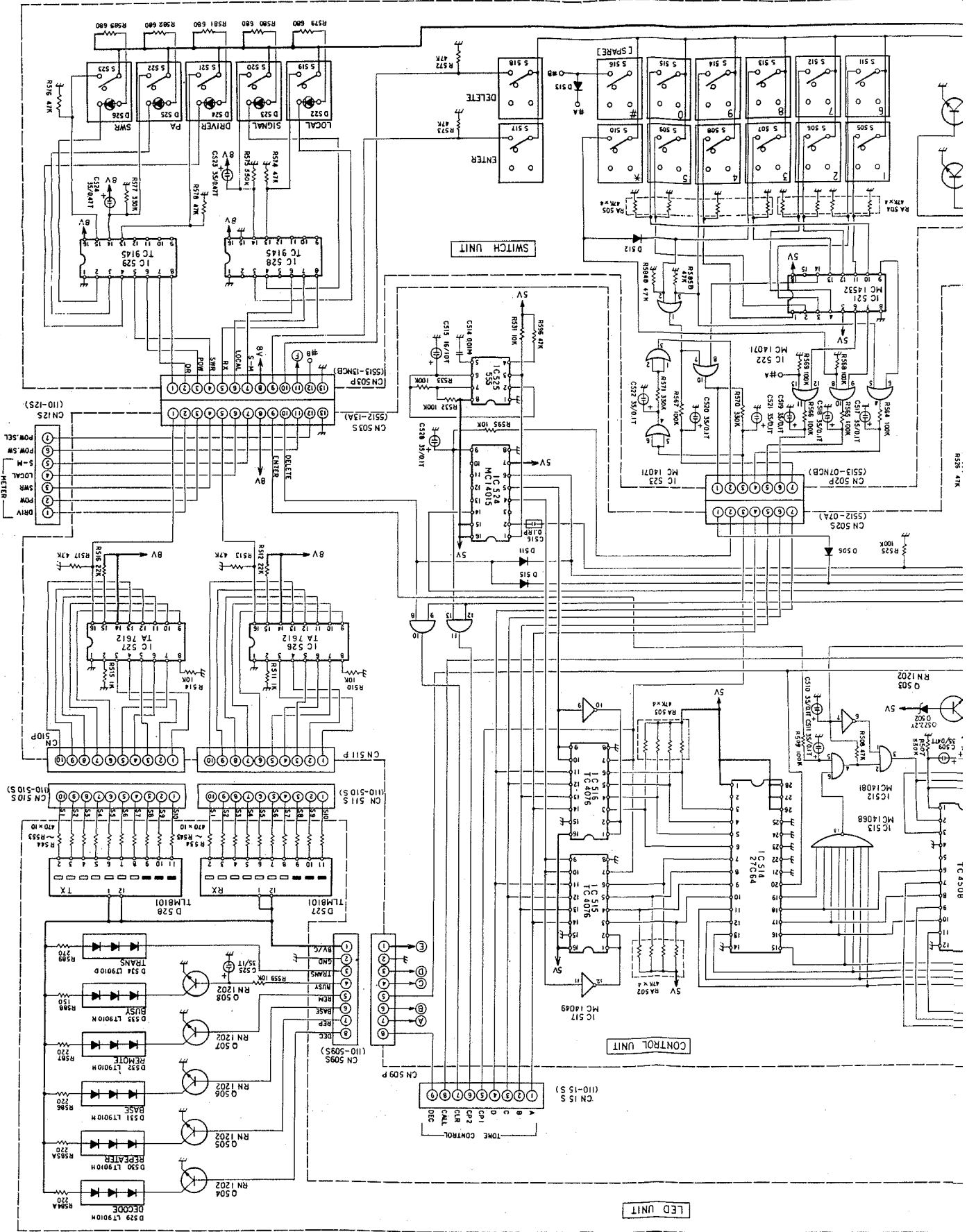
- 1 (GND)
- 2 (PRES)
- 3 (METER)
- 4 (SWR METER)
- 5 (TX ALARM)
- 6 (POW SEL)

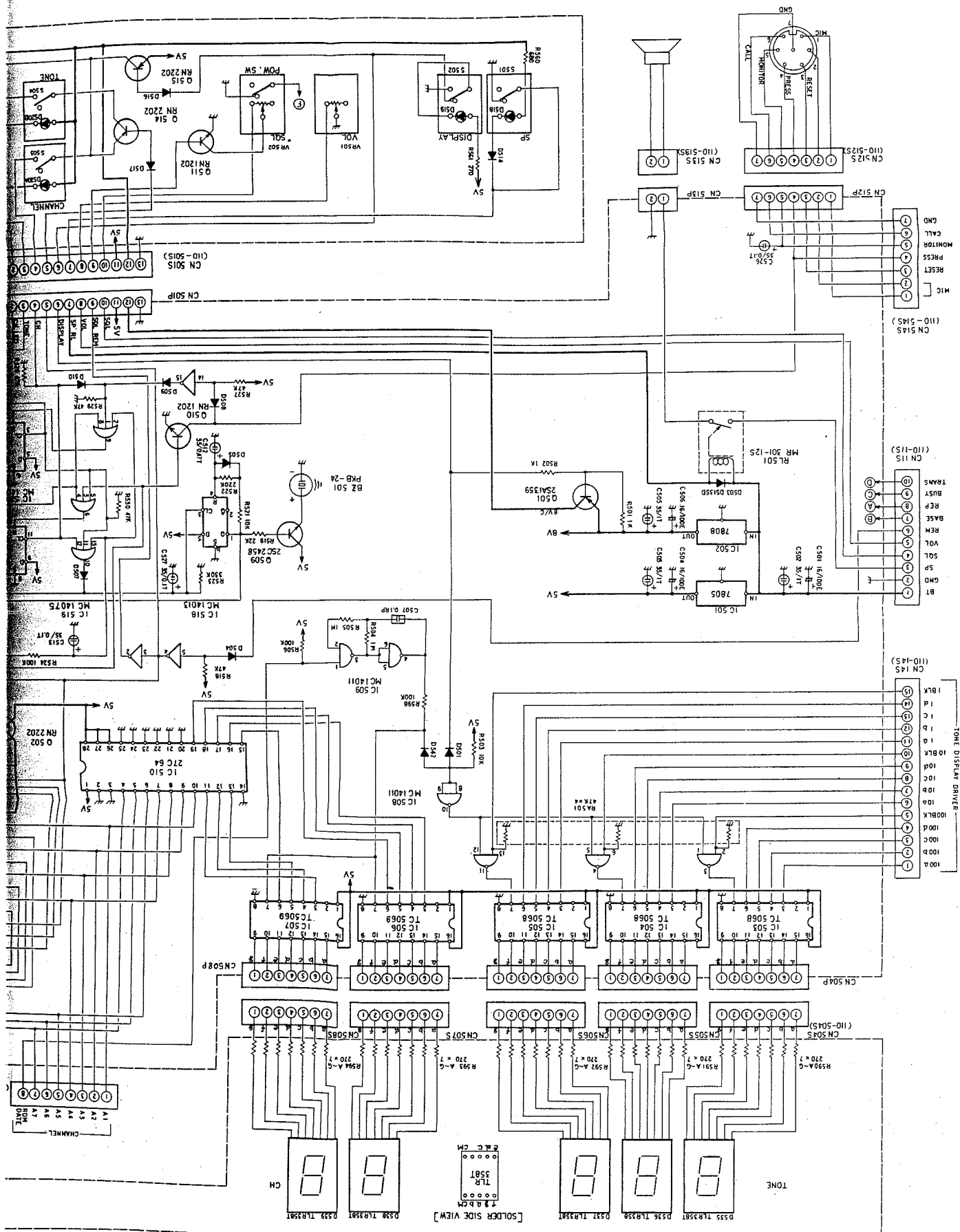
**37-PIN CONNECTOR**

- 1 (REMOT)
- 2 (BUSY)
- 3 (VR (-))
- 4 (VOL)
- 5 (SOL)
- 6 (PRES)
- 7 (SP)
- 8 (NC)
- 9 (D1)
- 10 (D2)
- 11 (D3)
- 12 (D4)
- 13 (D5)
- 14 (D6)
- 15 (D7)
- 16 (D8)
- 17 (D9)
- 18 (D10)
- 19 (D11)
- 20 (D12)
- 21 (D13)
- 22 (D14)
- 23 (D15)
- 24 (D16)
- 25 (D17)
- 26 (D18)
- 27 (D19)
- 28 (D20)
- 29 (D21)
- 30 (D22)
- 31 (D23)
- 32 (D24)
- 33 (D25)
- 34 (D26)
- 35 (D27)
- 36 (D28)
- 37 (D29)

- 1 (REMOT)
- 2 (BUSY)
- 3 (VR (-))
- 4 (VOL)
- 5 (SOL)
- 6 (PRES)
- 7 (SP)
- 8 (NC)
- 9 (D1)
- 10 (D2)
- 11 (D3)
- 12 (D4)
- 13 (D5)
- 14 (D6)
- 15 (D7)
- 16 (D8)
- 17 (D9)
- 18 (D10)
- 19 (D11)
- 20 (D12)
- 21 (D13)
- 22 (D14)
- 23 (D15)
- 24 (D16)
- 25 (D17)
- 26 (D18)
- 27 (D19)
- 28 (D20)
- 29 (D21)
- 30 (D22)
- 31 (D23)
- 32 (D24)
- 33 (D25)
- 34 (D26)
- 35 (D27)
- 36 (D28)
- 37 (D29)

# CIRCUIT DIAGRAM FOR KG110 CONTROL UNIT

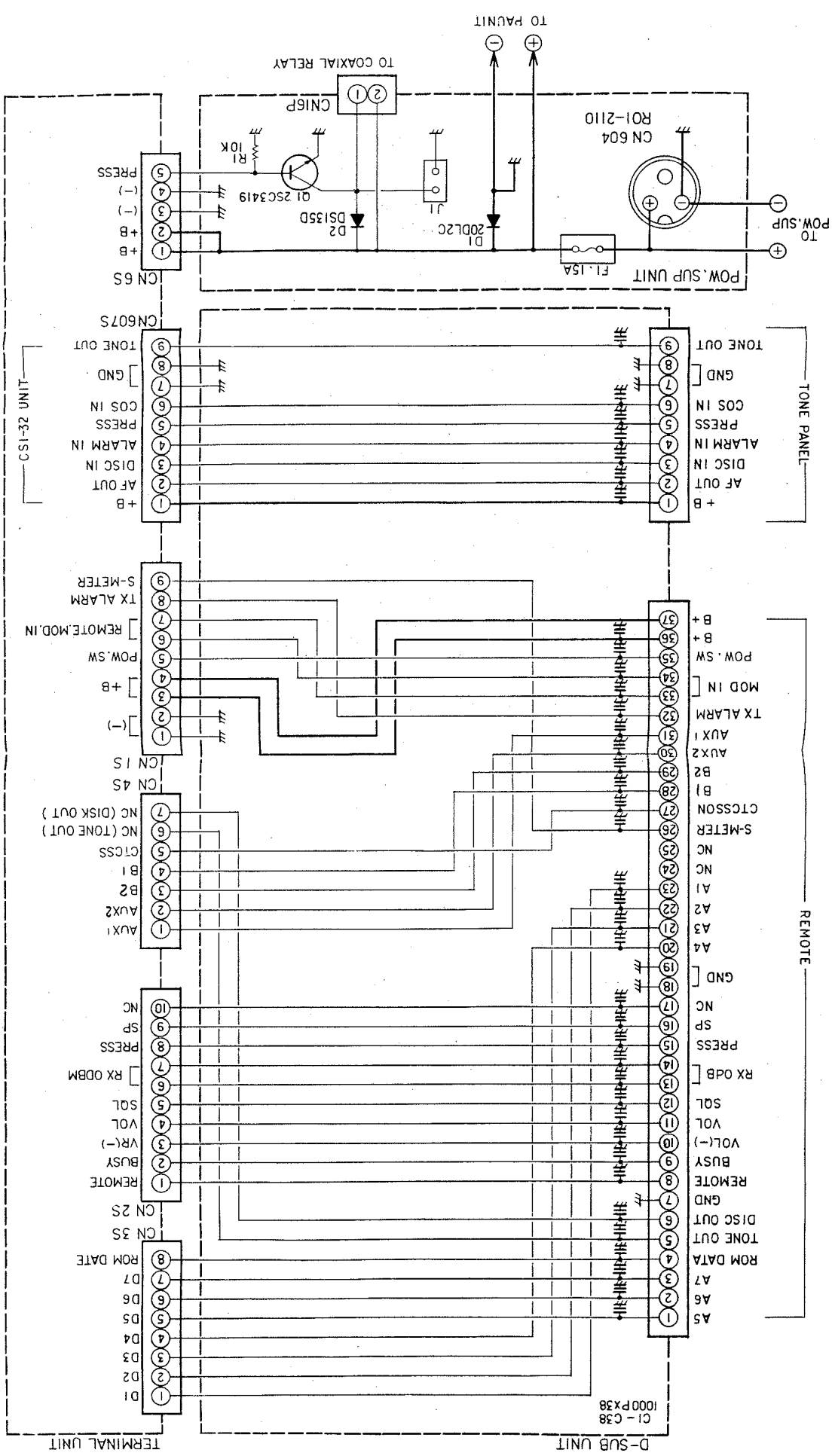




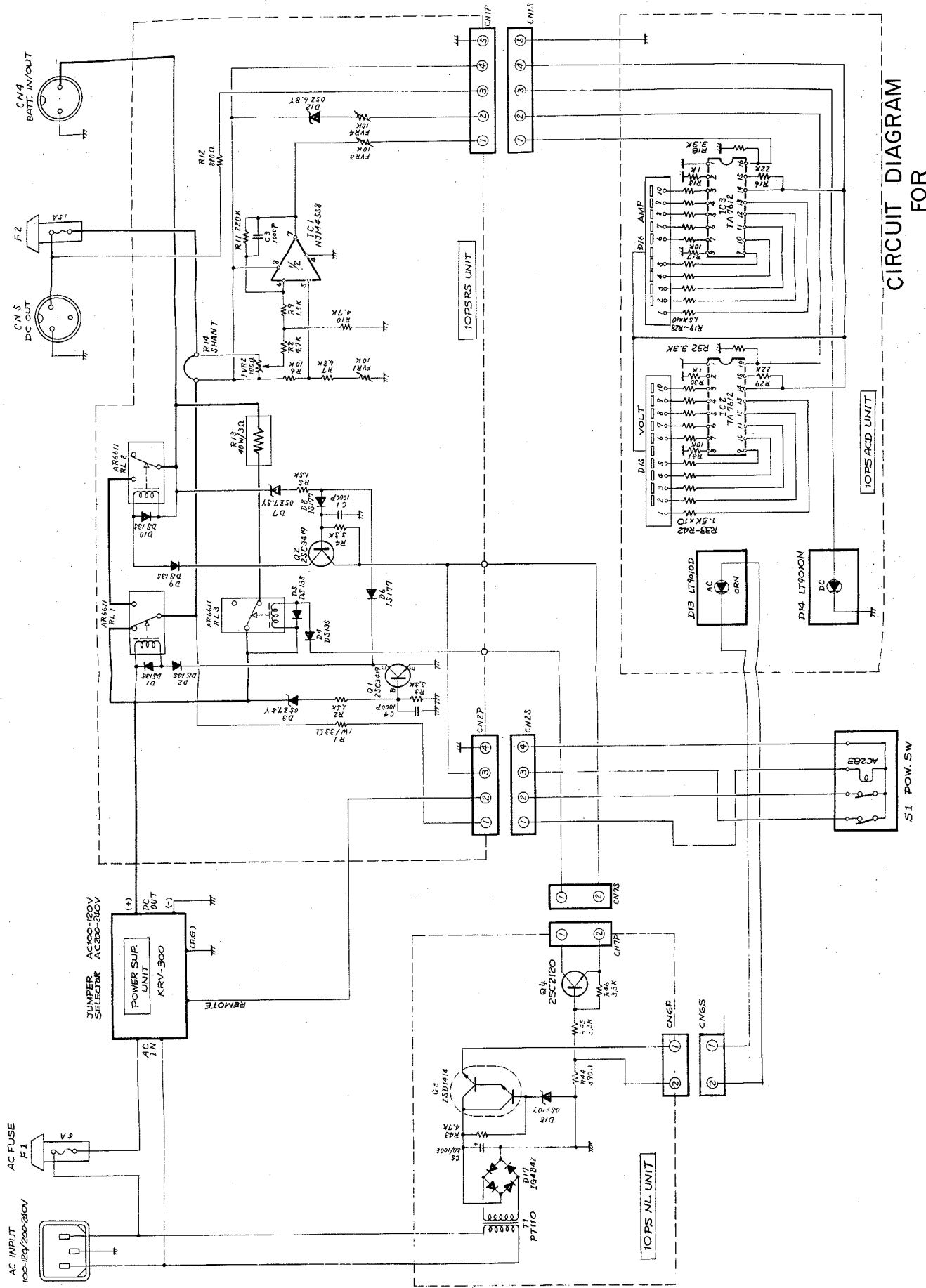
[SOLDER SIDE VIEW]

KG110 D-SUB/POW. SUP UNIT

CIRCUIT DIAGRAM FOR



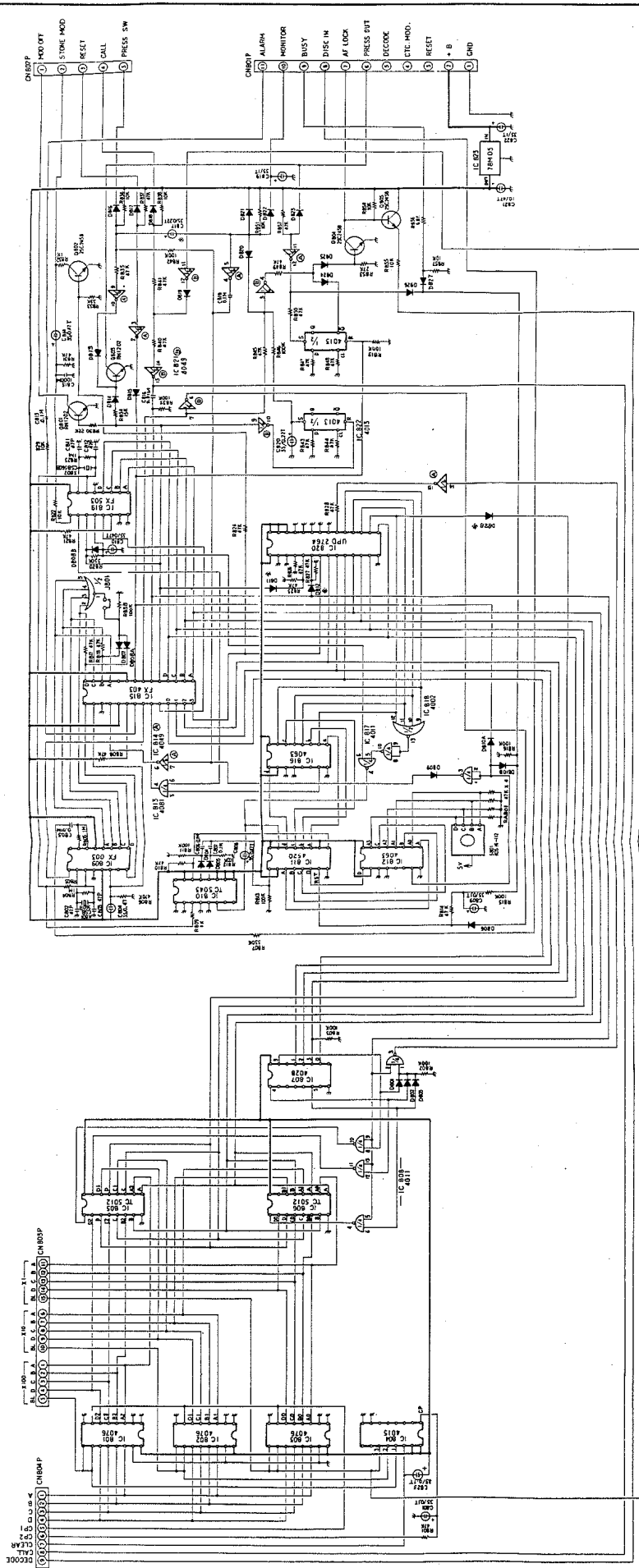




CIRCUIT DIAGRAM FOR

DC-110 POWERED CIDDY UNIT

SI POW. SW



CIRCUIT DIAGRAM  
FOR  
KG110 5-TONE ENC/DEC UNIT

**5-TONE CODE PROGRAMMING**

Address	0	1	2	3	4	5	6	7	8	9	A	B	C	D	E	F
Data	-	D1	D2	D3	D4	D5	DE	-	A1	A2	A3	A4	A5	OE	-	-

D1-D5 : Decode Number  
A1-A5 : Answer-Back Number  
JB01 SETTING ... Group Call Decode Setting  
Jumper 'ON' ... '0' as Group Call  
Jumper 'OFF' ... 'A' as Group Call  
S801 SETTING ... Automatic Audio Reset Setting  
Switch 0 position ... Manual Audio Reset  
Switch 1-F position ... Each step has 1 second (1-15 sec can be set)

CTCSS TONE FREQUENCY PROGRAM TABLE

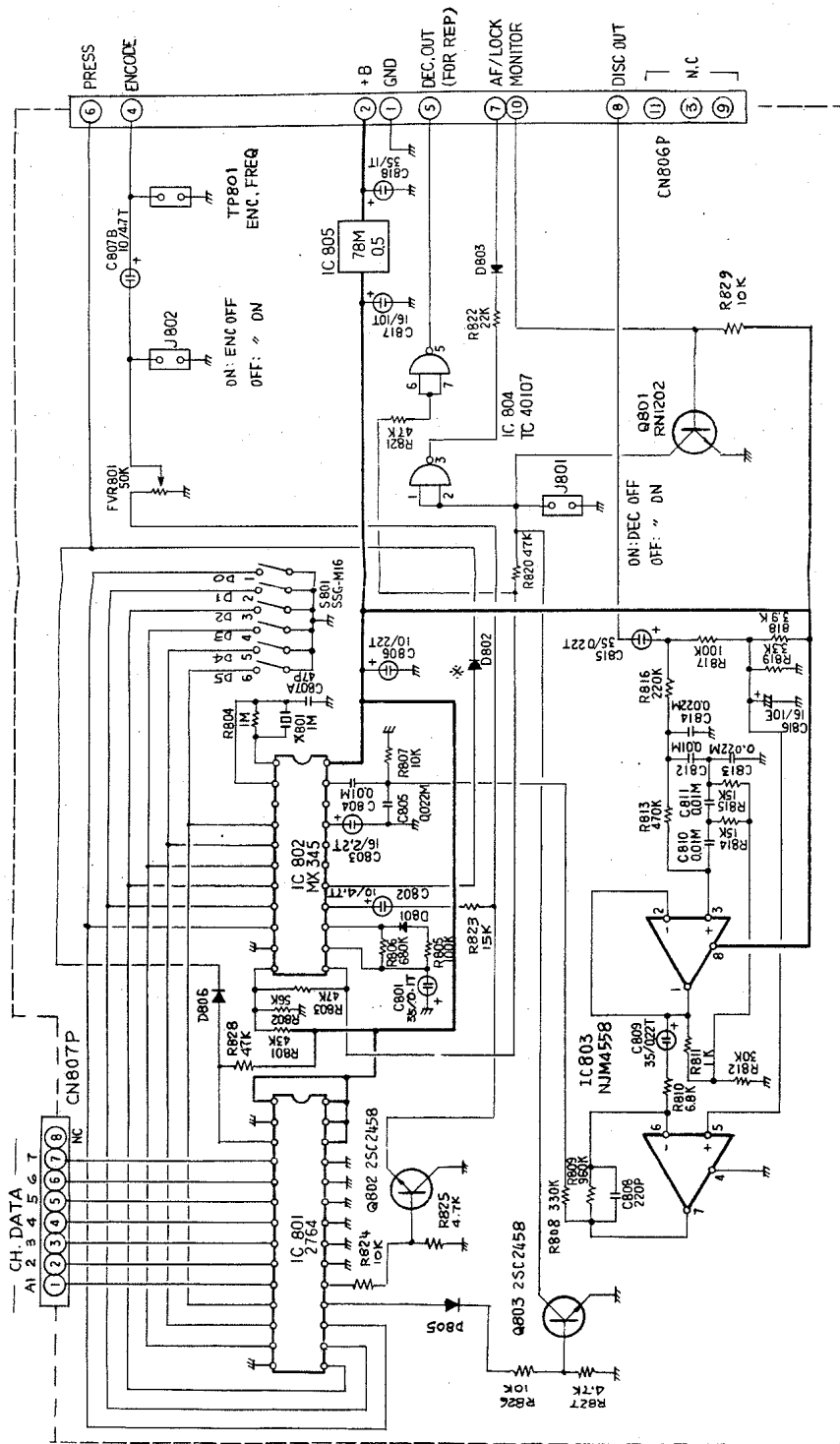
Logic 1 = Ydd, Logic 0 = Yss

No.	ETA SPEC FREQ.	PROGRAM TABLE								EP-ROM CODE
		D5	D4	D3	D2	D1	D0	D0	D0	
1	A 67.0Hz	1	1	1	1	1	1	1	1	3F
2	B 71.9	0	1	1	1	1	1	1	1	3E
3	C 74.4	0	1	1	1	1	1	1	1	1F
4	A 77.0	0	1	1	1	1	1	1	1	3C
5	C 79.7	1	1	1	1	1	1	1	1	2F
6	B 82.5	0	1	1	1	1	1	1	1	1E
7	C 85.4	0	1	1	1	1	1	1	1	0E
8	A 88.5	0	1	1	1	1	1	1	1	1C
9	C 91.5	1	1	1	1	1	1	1	1	37
10	B 94.8	0	1	1	1	1	1	1	1	2E
11	- 97.4	1	1	1	1	1	1	1	1	17
12	A 100.0	0	1	1	1	1	1	1	1	2C
13	B 103.5	0	1	1	1	1	1	1	1	0E
14	A 107.2	0	1	1	1	1	1	1	1	0C
15	B 110.9	0	1	1	1	1	1	1	1	36
16	A 114.8	0	1	1	1	1	1	1	1	34
17	B 118.8	0	1	1	1	1	1	1	1	16
18	A 123.0	0	1	1	1	1	1	1	1	14
19	B 127.3	0	1	1	1	1	1	1	1	26
20	A 131.8	0	1	1	1	1	1	1	1	24
21	B 136.5	0	1	1	1	1	1	1	1	06
22	A 141.3	0	1	1	1	1	1	1	1	04
23	B 146.2	0	1	1	1	1	1	1	1	3A
24	A 151.4	0	1	1	1	1	1	1	1	38
25	B 156.7	0	1	1	1	1	1	1	1	1A
26	A 162.2	0	1	1	1	1	1	1	1	18
27	B 167.5	0	1	1	1	1	1	1	1	28
28	A 173.8	0	1	1	1	1	1	1	1	28
29	B 179.9	0	1	1	1	1	1	1	1	0A
30	A 186.2	0	1	1	1	1	1	1	1	08
31	B 192.8	0	1	1	1	1	1	1	1	32
32	A 203.5	0	1	1	1	1	1	1	1	30
33	B 210.7	0	1	1	1	1	1	1	1	12
34	A 218.1	0	1	1	1	1	1	1	1	10
35	B 225.7	0	1	1	1	1	1	1	1	22
36	A 233.6	0	1	1	1	1	1	1	1	20
37	B 241.8	0	1	1	1	1	1	1	1	02
38	A 250.3	0	1	1	1	1	1	1	1	00

\* DB02 ISS177 100CT(A)  
DB02 DELETE 100CT(D)

CIRCUIT DIAGRAM FOR

KG110 CTCSS ENC/DEC UNIT



Program for CTCSS/CHANNEL (EP-ROM Address)

Address	00	01	02	03	04	05	06	07	08	09	0A	0B	0C	0D	0E	0F
Data	1E	2E	3E	4E	5E	6E	7E	8E	9E	10E	11E	12E	13E	14E	15E	16E
Address	60	61	62	63	-	-	-	-	-	-	-	-	-	-	-	-
Data	97E	98E	99E	-	-	-	-	-	-	-	-	-	-	-	-	-
Address	80	81	82	83	84	85	86	87	88	89	8A	8B	8C	8D	8E	8F
Data	1D	2D	3D	4D	5D	6D	7D	8D	9D	10D	11D	12D	13D	14D	15D	16D
Address	D0	D1	D2	D3	-	-	-	-	-	-	-	-	-	-	-	-
Data	97D	98D	99D	-	-	-	-	-	-	-	-	-	-	-	-	-

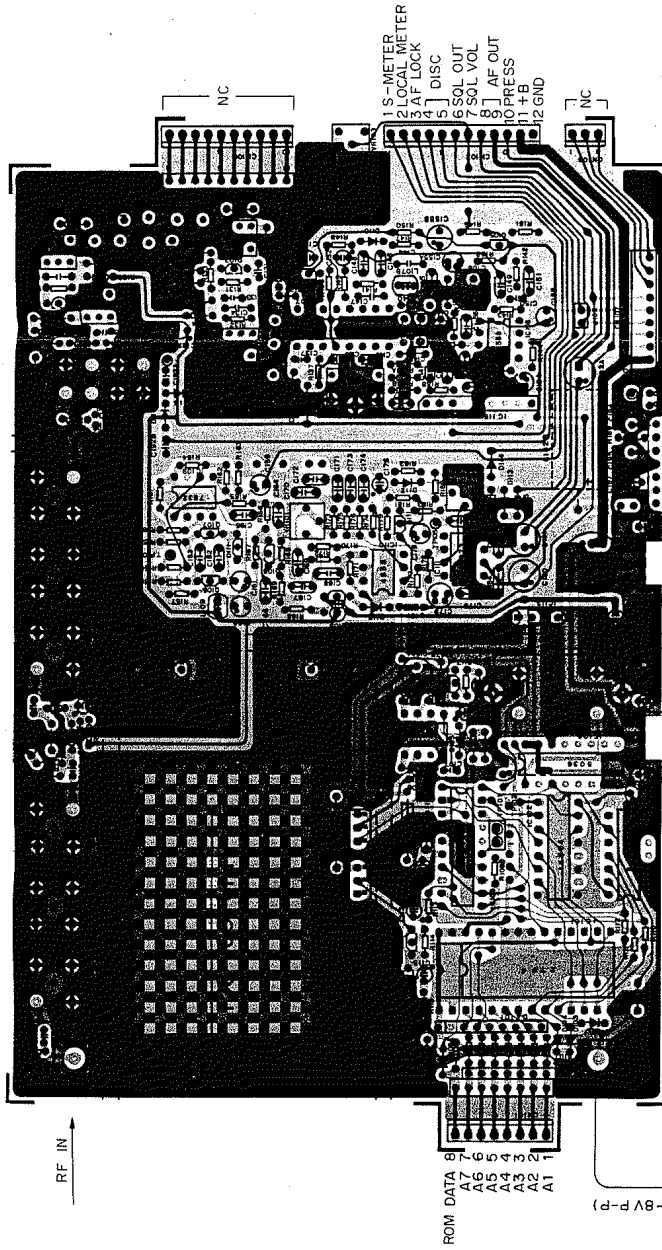
J801 DECODE ON/OFF

ON : DECODE OFF  
OFF : DECODE ON

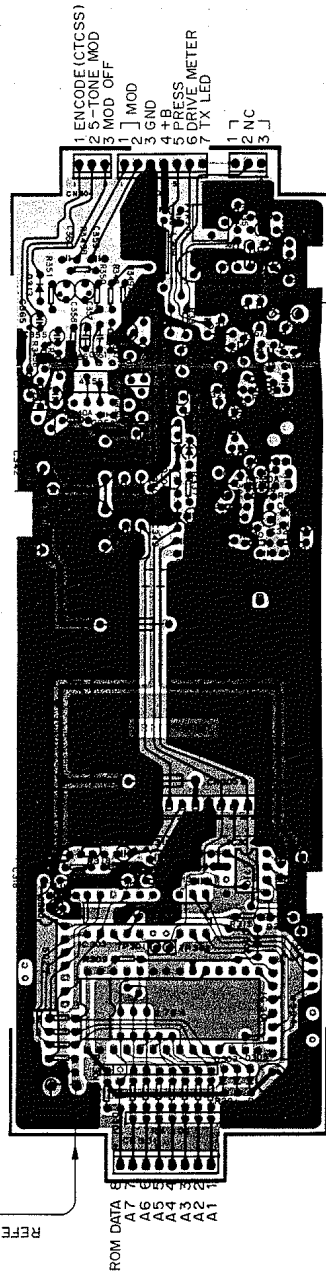
J802 ENCODE ON/OFF

ON : ENCODE OFF  
OFF : ENCODE ON

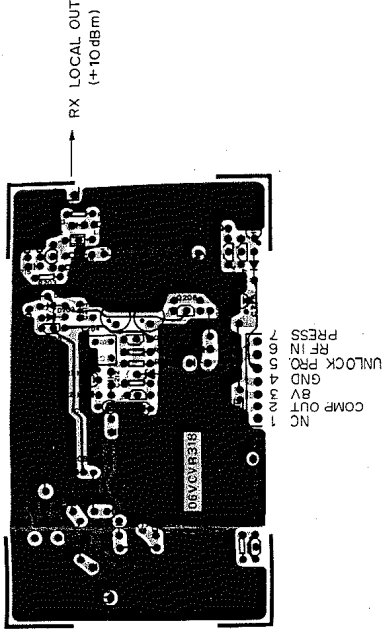
RX MAIN UNIT



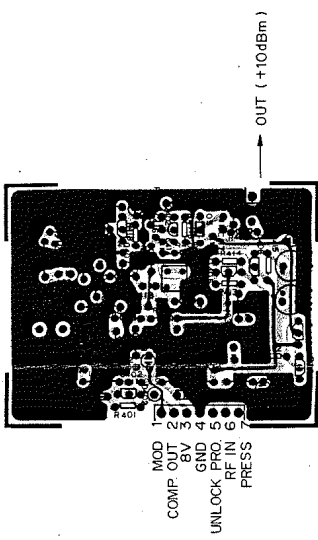
TX MAIN UNIT



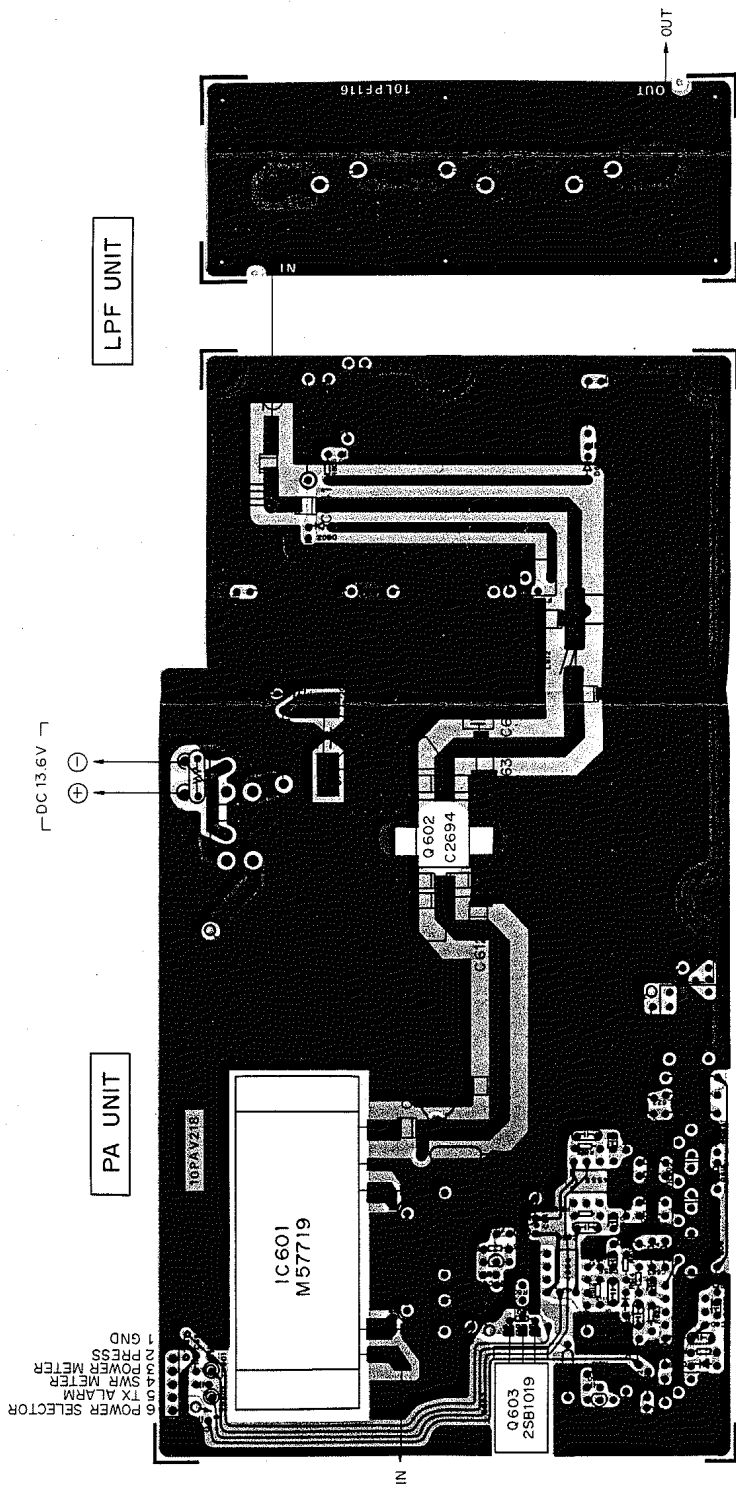
RX VCO UNIT



TX VCO UNIT



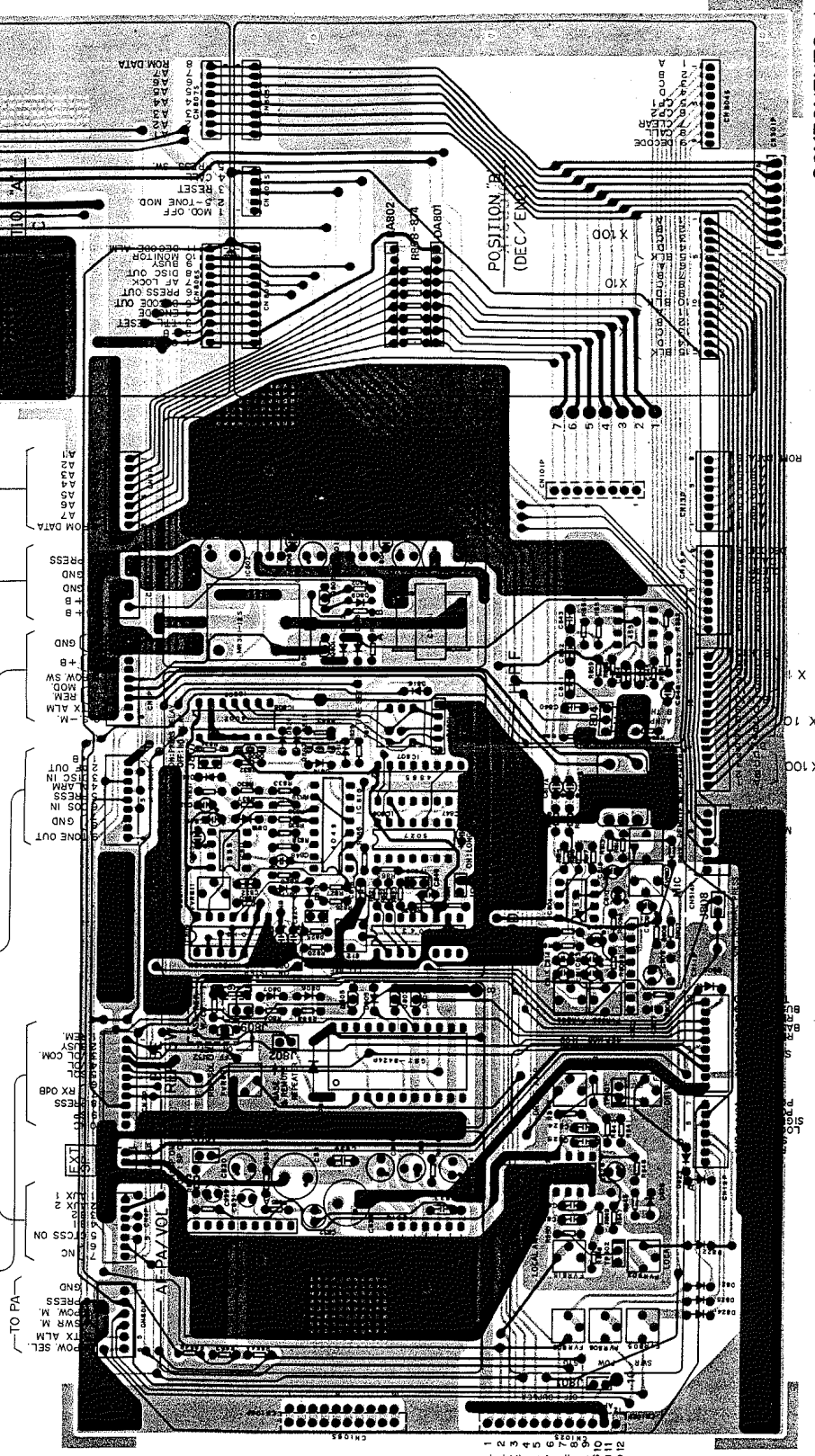
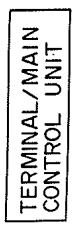
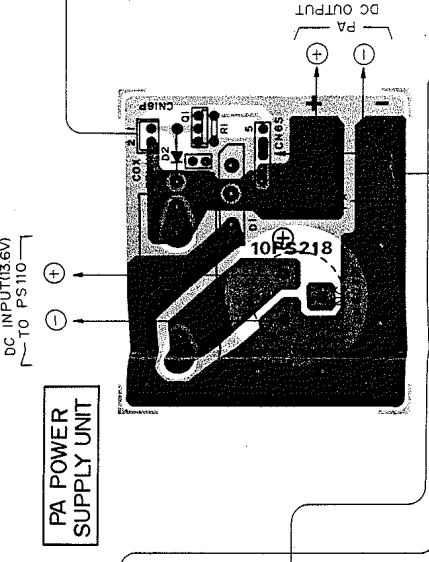
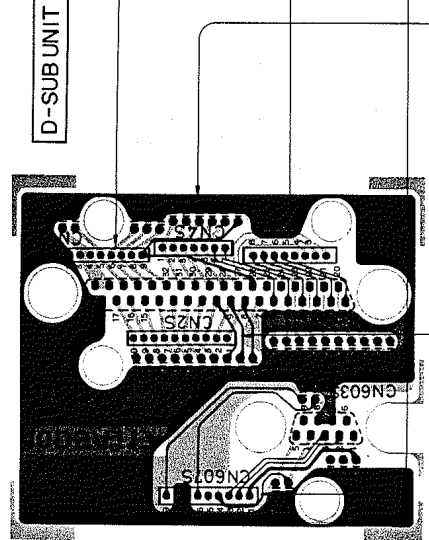
COMPONENTS LAYOUT FOR



COMPONENT LAYOUT  
FOR  
VHF PA UNIT

37-PIN D-SUB

No	SIGNAL NAME
1	CH A5
2	CH A6
3	CH A7
4	FROM DATA
5	PHONE OUT
6	DISC OUT
7	GND
8	RE.MOTE
9	BUSY
10	VOL.COM
11	VOLUME
12	SCUELCH
13	RX Odbm
14	TX Odbm
15	PRESS
16	SPEAKER
17	NC
18	GND
19	GND
20	CH A4
21	CH A3
22	CH A2
23	CH A1
24	NC
25	NC
26	S-METER
27	CTCSS ON
28	B1
29	B2
30	AUX 2
31	AUX 1
32	TX ALARM
33	MOD IN
34	MOD IN
35	POW. SW.
36	B+
37	B+

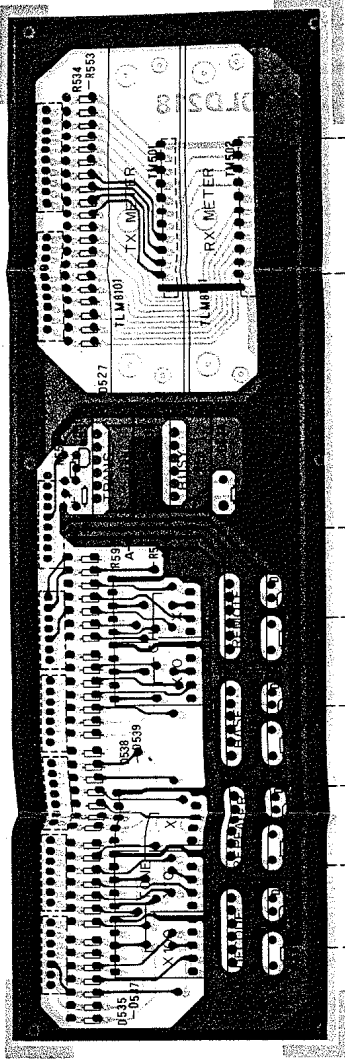


TO RX MAIN UNIT

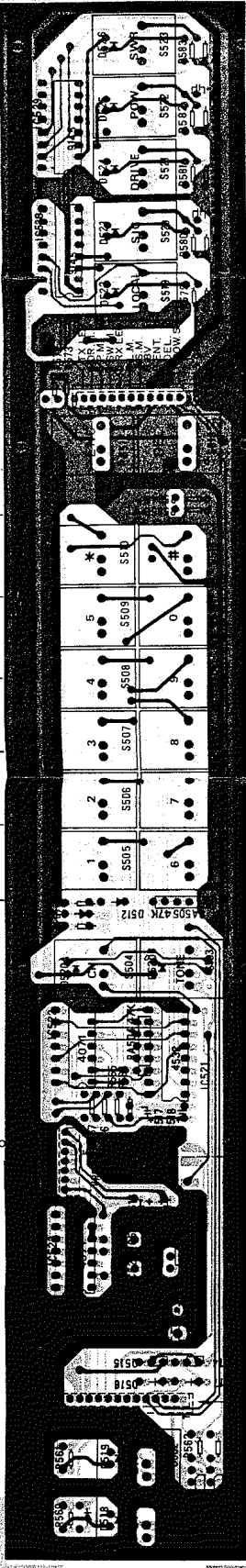
- S-M. 1
- L-M. 2
- AF LOCK 3
- DISC 4
- BUSY 5
- SOL 6
- 0dBm 7
- PRESS 8
- 0dBm 9
- 0dBm 10
- GND 11
- GND 12

NC

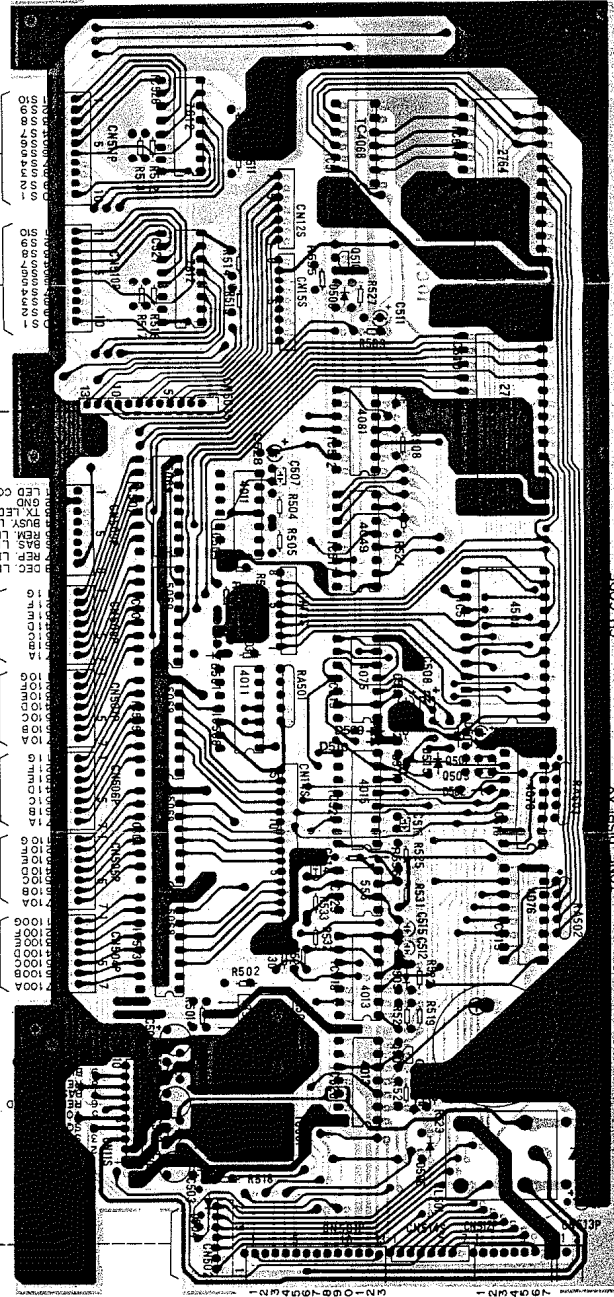
# DISPLAY UNIT



# SW UNIT



# CONTROL UNIT



5-TONE CONTROL

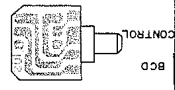
L E L  
- M M M  
- P P P P P  
- R R R R R R R  
- T T T T T T T T T T T T T

CN155

CN125

1 P M  
2 P M  
3 P M  
4 P M  
5 P M  
6 P M  
7 P M  
8 P M  
9 P M  
10 P M  
11 P M  
12 P M  
13 P M  
14 P M  
15 P M  
16 P M  
17 P M  
18 P M  
19 P M  
20 P M  
21 P M  
22 P M  
23 P M  
24 P M  
25 P M  
26 P M  
27 P M  
28 P M  
29 P M  
30 P M

VR502  
SQL VOL



1 TONE LED  
2 LED  
3 SW  
4 SW  
5 SW  
6 SW  
7 COM  
8 SW  
9 OFF  
10 OFF  
11 VOL  
12 SOL  
13 SOL  
14 LED  
15 COM  
16 LED  
17 GND

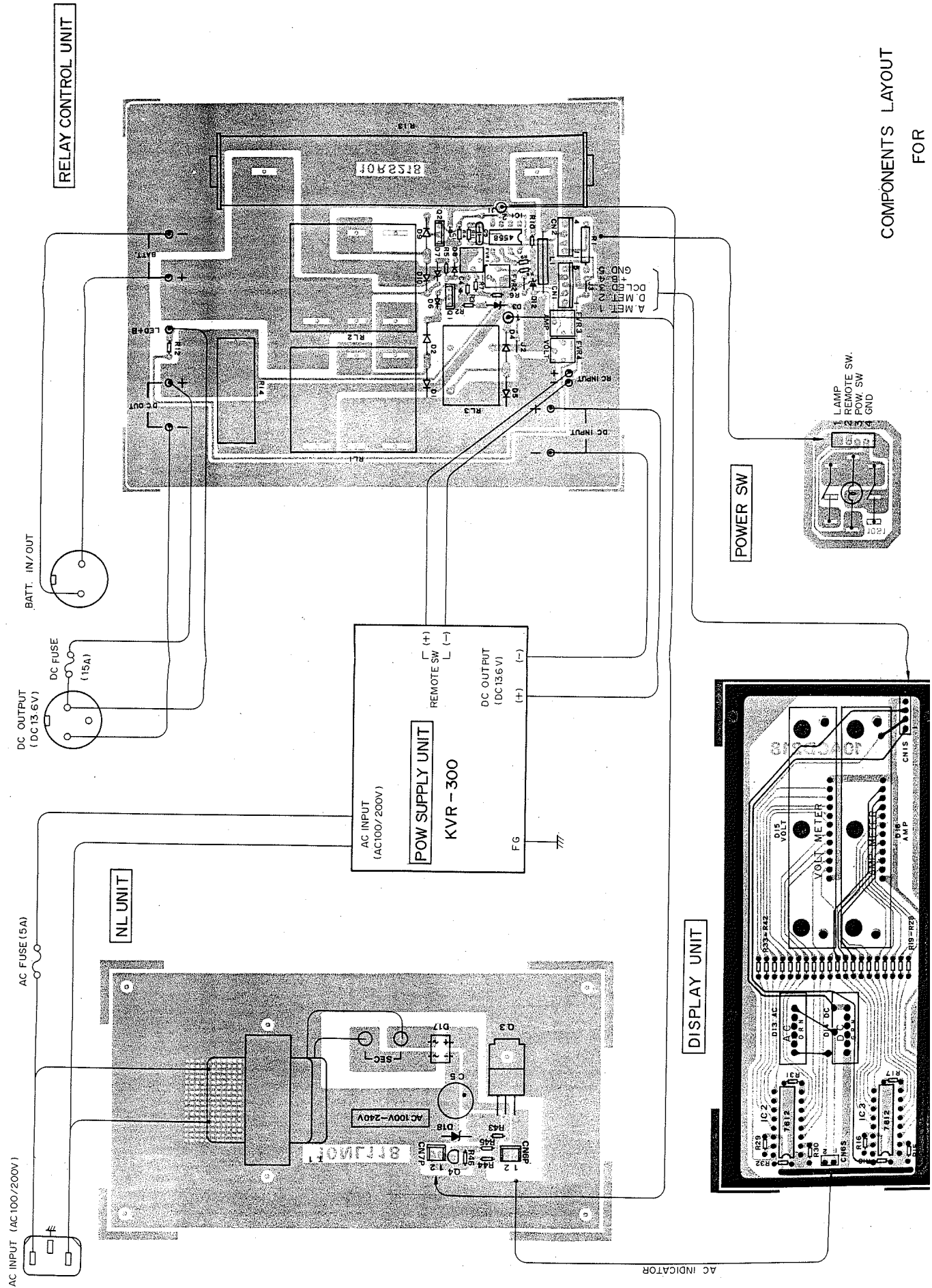
MIC  
RESET  
MONITOR  
CALL  
GND  
SP  
SP

1  
2  
3  
4  
5  
6  
7  
8  
9  
10  
11  
12  
13  
14  
15  
16  
17  
18  
19  
20  
21  
22  
23  
24  
25  
26  
27  
28  
29  
30  
31  
32  
33  
34  
35  
36  
37  
38  
39  
40  
41  
42  
43  
44  
45  
46  
47  
48  
49  
50  
51  
52  
53  
54  
55  
56  
57  
58  
59  
60  
61  
62  
63  
64  
65  
66  
67  
68  
69  
70  
71  
72  
73  
74  
75  
76  
77  
78  
79  
80  
81  
82  
83  
84  
85  
86  
87  
88  
89  
90  
91  
92  
93  
94  
95  
96  
97  
98  
99  
100

# COMPONENTS LAYOUT

F0P

COMPONENTS LAYOUT FOR



AC INDICATOR





CTCSS TONE FREQUENCY  
PROGRAM TABLE  
Logic 1 = V<sub>dd</sub>, Logic 0 = V<sub>ss</sub>

No.	EIA SPEC FREQ.	PROGRAM TABLE								EP-ROM CODE
		DS	D4	D3	D2	D1	D0	DO	DO	
1	A 67.0Hz	1	1	1	1	1	1	1	1	3F
2	B 71.9	1	1	1	1	1	1	1	1	3E
3	C 74.4	1	1	1	1	1	1	0	1	1F
4	A 77.0	0	0	1	1	1	1	1	1	3C
5	C 79.7	1	1	1	1	0	1	1	1	2F
6	B 82.5	0	1	1	1	1	0	1	0	1E
7	C 85.4	1	1	1	1	0	0	0	0	0F
8	A 88.5	0	0	1	1	1	1	0	0	1C
9	B 91.3	0	1	1	1	0	1	1	1	2E
10	B 94.9	0	1	1	1	0	1	1	1	2E
11	- 97.4	1	1	1	1	0	1	0	1	17
12	A 100.0	0	1	1	1	0	1	1	1	2C
13	B 102.3	0	1	1	1	1	1	0	0	0E
14	A 107.2	0	1	1	1	1	1	0	0	0E
15	B 110.9	0	1	1	1	0	1	1	1	36
16	A 114.8	0	1	1	1	1	1	0	1	34
17	B 123.0	0	1	1	1	1	1	0	1	16
18	A 127.3	0	1	1	1	0	1	1	1	16
19	B 131.8	0	1	1	0	1	1	0	1	24
20	A 131.8	0	1	1	0	1	1	0	1	24
21	B 135.5	0	1	1	0	1	1	0	0	06
22	A 141.3	0	1	1	0	1	1	0	0	06
23	B 146.2	0	1	1	1	1	1	1	1	3A
24	A 151.4	0	0	1	1	1	1	1	1	39
25	B 156.7	0	1	0	1	1	1	0	1	1A
26	A 162.2	0	1	0	1	1	1	0	1	18
27	B 167.9	0	1	0	1	1	1	0	1	24
28	A 173.8	0	1	0	1	1	1	0	1	28
29	B 179.9	0	1	0	1	1	1	0	1	0A
30	A 186.2	0	0	1	1	1	1	0	0	08
31	B 192.8	0	1	0	1	1	1	1	1	32
32	A 203.5	0	0	0	1	1	1	1	1	30
33	B 210.7	0	1	0	1	1	1	0	1	12
34	A 218.1	0	0	0	1	1	1	0	1	10
35	B 225.7	0	1	0	0	1	1	0	1	22
36	A 233.6	0	1	0	0	1	1	0	1	20
37	B 241.8	0	1	0	0	1	1	0	1	02
38	A 250.3	0	0	0	0	1	1	0	0	00
39	A 250.3	0	0	0	0	1	1	0	0	00

\* D802 ISS177 10QCT(A)  
D802 DELETE 10QCT(D)

J801 DECODE ON/OFF

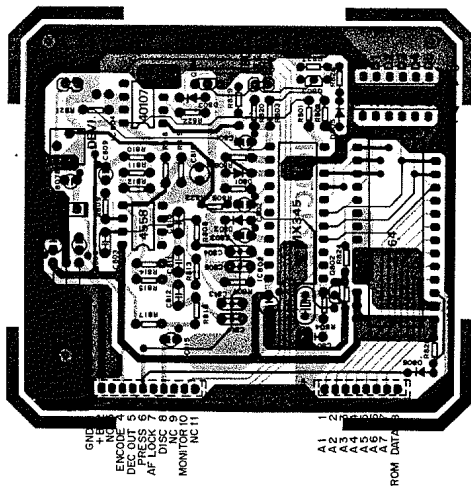
ON : DECODE OFF

OFF : DECODE ON

J802 ENCODE ON/OFF

ON : ENCODE OFF

OFF : ENCODE ON

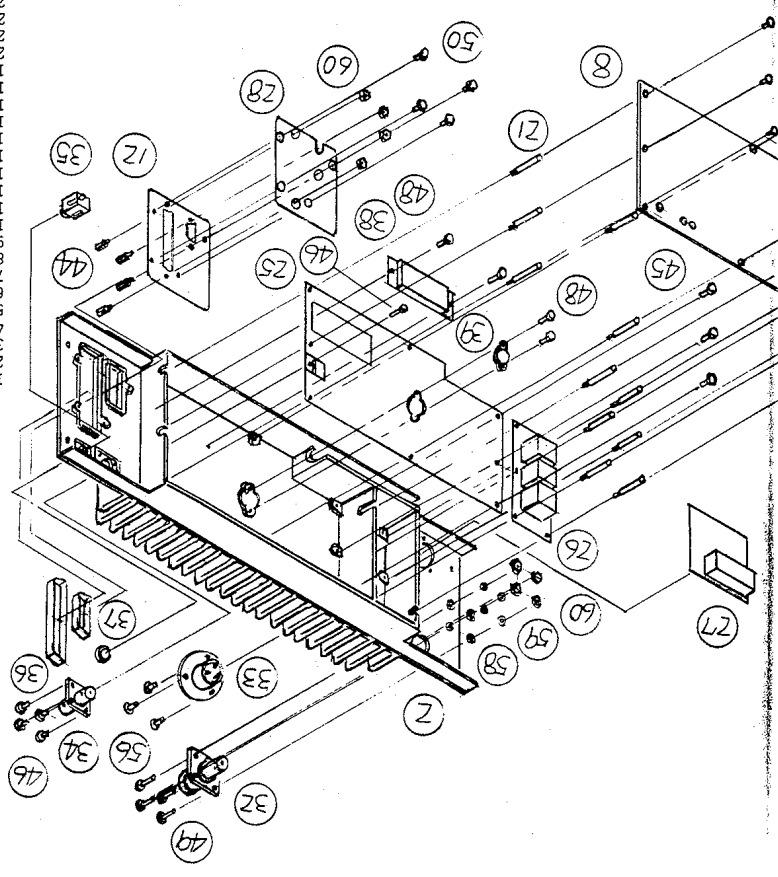


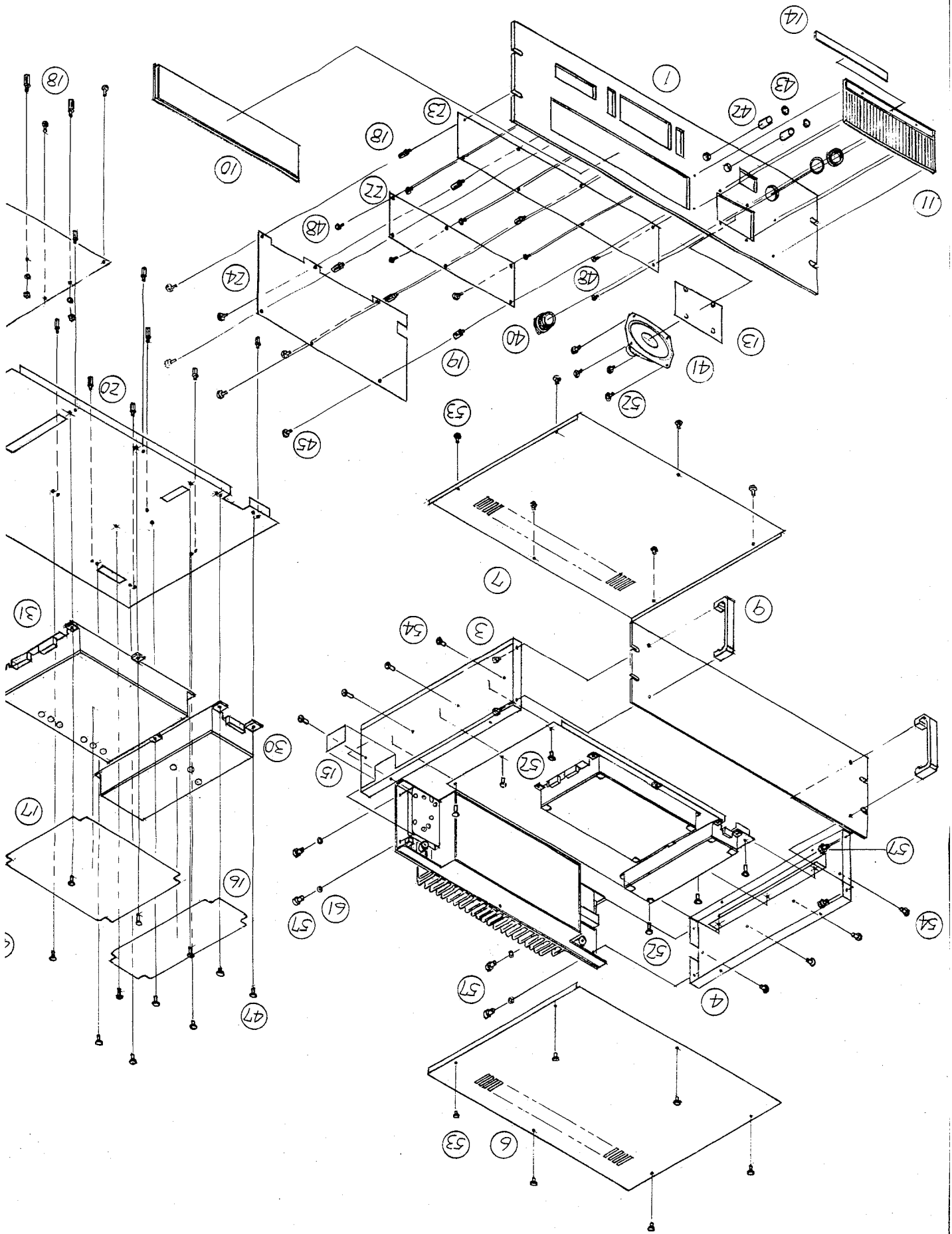
Program for CTCSS/CHANNEL (EP-ROM Address)

Address	00	01	02	03	04	05	06	07	08	09	0A	0B	0C	0D	0E	0F
Data	1E	2E	3E	4E	5E	6E	7E	8E	9E	10E	11E	12E	13E	14E	15E	16E
Address	60	61	62	63	-	-	-	-	-	-	-	-	-	-	-	-
Data	97E	98E	99E	-	-	-	-	-	-	-	-	-	-	-	-	-
Address	80	81	82	83	84	85	86	87	88	89	8A	8B	8C	8D	8E	8F
Data	1D	2D	3D	4D	5D	6D	7D	8D	9D	10D	11D	12D	13D	14D	15D	16D
Address	D0	D1	D2	D3	-	-	-	-	-	-	-	-	-	-	-	-
Data	97D	98D	99D	-	-	-	-	-	-	-	-	-	-	-	-	-

COMPONENTS LAYOUT  
FOR  
KG110 CTCSS UNIT

QTY	DRAWING NO.	DESCRIPTION
1	2A10-0113 (B)	Front panel
1	1A10-0015	PA radiator
1	2A10-0114	Side panel (right)
1	2A10-0114	Side panel (left)
1	3A10-0318	Chassis frame
1	3A10-0314	Top cover
1	3A10-0314	Bottom cover
1	4A10-1251	Handle
1	4A10-1255	LED protector
1	4A10-1257	Speaker grille
1	2A10-0115	CH plate
1	4A10-1256	Speaker net
1	4A10-1268	Brand plate
1	4A10-1258	Type plate
1	4A10-1295	Tx unit label
1	4A10-1296	Rx unit label
1	4A10-1253	Spacer (A)
1	4A10-1252	Spacer (B)
1	4A10-1261	Spacer (C)
9	4A10-1250	PA stud
11	10LD218	Display unit
1	10SM218	Switch control unit
1	10CT218	Control unit
1	10PAV218	PA unit
1	10PF16	L.P.F. unit
1	10PS218	Power-Relay unit
1	10DSA117	D-SUB connector unit
1	10NCB422	Terminal unit
1	30	Receiver unit
1	31	Transmitter unit
1	32	Connector
1	33	Connector
1	34	Connector
1	35	Horn jack
1	36	Connector cover
1	37	Connector cover
1	38	Power module
1	39	Transistor
1	40	Connector
1	41	Speaker
1	42	Knob
2	20-15-60-2	Knob top plate
2	30-15-01-7	Stud
4	XM22-0023	Stud
9	sems, SE-2.6x5	Screw
5	sems, SE-2.6x8	Screw
5	sems, SE-3x6	Screw
12	sems, SE-3x8	Screw
4	sems, SE-3x15	Screw
12	sems, SE-2.6x5	Screw
1	bnd, BD-2.6x8	Bind
10	bnd, BD-3x6	Bind
12	bnd, BDB-3x6	Bind, black
8	bnd, BDB-4x6	Bind, black
11	oval, OY-2.6x5	Screw
3	oval, OY-3x8	Screw
8	CAP-4X10	Cap bolt
4	FM-3	Flat washer
8	SM-3	Spring washer
12	NT-3	Nut
4	FMB-4	Flat washer, black





**PARTS LIST**

MODEL : KG110 VHF      CODE : KG110-15B50DBR      UNIT : VHF RX MAIN UNIT

NO.	PARTS NAME	DESCRIPTION	CIRCUIT REFERENCE	Q'TY
1	IC	CX7932	IC109	1
2	IC	MC14504BP	IC102	1
3	IC	MC145146P	IC103	1
4	IC	NJM2073	IC111	1
5	IC	NJM4558D	IC108,10	2
6	IC	TC5027P	IC105	1
7	IC	TC5036P	IC106	1
8	IC	TA7303	IC115	1
9	IC	TK10420	IC107	1
10	IC	UPB571C	IC104	1
11	EP-ROM	UPD2764D	IC101	1
12	IC	7808	IC114	1
13	IC	78M05	IC112	1
14	IC	AN78N08	IC113	1
15	BALANCED MIXER	M8	DBM101	1
16	DIODE ARRAY	NAL-8CS	DA101	1
17	FET	2SK152	Q102	1
18	FET	2SK184	Q111	1
19	TRANSISTOR	2SC2407	Q101	1
20	TRANSISTOR	2SA1048LY	Q106-07	2
21	TRANSISTOR	2SA950Y	Q109	1
22	TRANSISTOR	2SC2458LY	Q104,08	2
23	TRANSISTOR	2SC2669Y	Q103	1
24	TRANSISTOR	RN2202	Q105,10,12	3
25	LED	TLS164	D106	1
26	DIODE	ISS177	D101-05,07,10,12-15	11
27	DIODE	ISS227	D108,11	2
28	DIODE	ISS237	D116,17	2
29	DIODE	MI308	D109	1
30	CRYSTAL	21.145MHZ	X101	1
31	CRYSTAL FILTER	21P18A	XF102	1
32	CRYSTAL FILTER	21P20C	XF101	1
33	TCXO	GFS-210W	TCX01	1
34	DISCRIMINATOR	CDB455C7	CD101	1
35	CERAMIC FILTER	CFG455D	CF101	1
36	THERMISTER	360-D5	TH101	1
37	3-CAV.BPF	RFC150N-3,33	BPF101-02	2
38	TEST POINT	3022-02A	TP101	1
39	TEST POINT	LC-2-S(ORN)	TP103	1
40	TEST POINT	LC-2-S(YEL)	TP104	1
41	JUMPER PLUG	DSP02-002-431G	JP102	1
42	MICRO INDUCTOR	LA03NA-100UH	L107A	1
43	MICRO INDUCTOR	LA03NA-10UH	L106	1
44	LEAD CHOKE	15M(LN-0009)	L101-102	2
45	COIL	G02 10MH	L108	1
46	COIL	M2 680UH	L107B,09	2
47	COIL	#1054	L105	1
48	COIL	#1053	T101,03	2
49	COIL	#1058	T102	1
50	COIL	4A-S235	L104	1

MODEL : KG110 VHF      CODE : KG110-15B50DBR      UNIT : VHF RX MAIN UNIT

NO.	PARTS NAME	DESCRIPTION	CIRCUIT REFERENCE	Q'TY
51	MONOLYTHIC M.	B32529-104K	C114,83-84	3
52	CERAMIC C.	RH 5PF	C133	1
53	CERAMIC C.	CH 5PF	C192A	1
54	CERAMIC C.	CH 6PF	C128,29	2
55	CERAMIC C.	CH 7PF	C123	1
56	CERAMIC C.	CH 10PF	C150	1
57	CERAMIC C.	CH 33PF	C137	1
58	CERAMIC C.	RH 39PF	C125,30	2
59	CERAMIC C.	RH 56PF	C126,34	2
60	CERAMIC C.	CH 68PF	C138	1
61	CERAMIC C.	CH 82PF	C147	1
62	CERAMIC C.	CH 150PF	C142	1
63	CERAMIC C.	SL 220PF	C144	1
64	CERAMIC C.	UJ 470PF	C124	1
65	CERAMIC C.	B 1000PF	C106-07,117-20,31,36-92B	9
66	CERAMIC C.	B 2200PF	C127,32,35	3
67	MONOLYTHIC C.	RPE121C 0.1UF	C139-41	3
68	MONOLYTHIC C.	RPE121C 1000PF	C109-10	2
69	ELECTROLYTIC	KMA 50V/0.1UF	C159	1
70	ELECTROLYTIC	KMA 50V/0.47UF	C148,75	2
71	ELECTROLYTIC	KMA 50V/1UF	C154	1
72	ELECTROLYTIC	KMA 50V/2.2UF	C161,89A	2
73	ELECTROLYTIC	KMA 25V/4.7UF	C160	1
74	ELECTROLYTIC	KMA 16V/22UF	C105,16,55B	3
75	ELECTROLYTIC	KMA 16V/47UF	C101,2A	2
76	ELECTROLYTIC	KMA 16V/100UF	C180-81,82A	3
77	ELECTROLYTIC	SR 25V/1000UF	C188	1
78	ELECTROLYTIC	BP 50V/0.47UF	C155A	1
79	ELECTROLYTIC	BP 16V/10UF	C179	1
80	MILER FILMED C	A7Z 1000PF	C166,71-74,87B,89B	7
81	MILER FILMED C	A7Z 1200PF	C157	1
82	MILER FILMED C	A7Z 4700PF	C151,64-65,69	4
83	MILER FILMED C	A7Z 6800PF	C156	1
84	MILER FILMED C	A7Z 8200PF	C170	1
85	MILER FILMED C	A7Z 0.01UF	C177-78,91	3
86	MILER FILMED C	A7Z 0.015UF	C167-68	2
87	MILER FILMED C	A7Z 0.022UF	C111,90	2
88	POLYPLOPYLENE	UPZ 220PF	C162-63	2
89	POLYPLOPYLENE	UPZ 470PF	C145-46,48,49	4
90	TANTALUM C.	DN 35V/0.1UF	C113B	1
91	TANTALUM C.	DN 35V/0.47UF	C176	1
92	TANTALUM C.	DN 35V/1UF	C102B,03-04,21,43,85-86,87A	8
93	TANTALUM C.	DN 16V/2.2UF	C115,52,53	3
94	TANTALUM C.	DN 10V/47UF	C112	1
95	SST TANTALUM C	SST 35V/0.1UF	C113A	1
96	CARBON R.	1/6W(P) 0	JP101,R122A	2
97	CARBON R.	1/6W(F) 10	R121B(カラツカ)	1
98	CARBON R.	1/6W(F) 47	R121A	1
99	CARBON R.	1/6W(F) 56	R123	1
100	CARBON R.	1/6W(F) 100	R126 51	2

MODEL : KG110 VHF      CODE : KG110-15B50DBR      UNIT : VHF RX MAIN UNIT

NO.	PARTS NAME	DESCRIPTION	CIRCUIT REFERENCE	Q'TY
101	CARBON R.	1/6W(F) 150	R124,28	2
102	CARBON R.	1/6W(F) 220	R113,34	2
103	CARBON R.	1/6W(F) 470	R131	1
104	CARBON R.	1/6W(F) 820	R114,17,30	3
105	CARBON R.	1/6W(F) 1K	R109,77	2
106	CARBON R.	1/6W(F) 1.2K	R115,27	2
107	CARBON R.	1/6W(F) 1.5K	R135,39,68,88	4
108	CARBON R.	1/6W(F) 1.8K	R150	1
109	CARBON R.	1/6W(F) 2.2K	R137,38B	2
110	CARBON R.	1/6W(F) 2.7K	R119,25	2
111	CARBON R.	1/6W(F) 3.3K	R116,57,60	3
112	CARBON R.	1/6W(F) 4.7K	R169,87	2
113	CARBON R.	1/6W(F) 8.2K	R186	1
114	CARBON R.	1/6W(F) 10K	101-07,08B,10-12,18-20,29,32,42,	22
115			-47,64,75-76,83,85	
116	CARBON R.	1/6W(F) 12K	R165-66	2
117	CARBON R.	1/6W(F) 15K	R140,54,49,63	4
118	CARBON R.	1/6W(F) 18K	R153,70	2
119	CARBON R.	1/6W(F) 22K	R133,52,80,84	4
120	CARBON R.	1/6W(F) 30K	R178	1
121	CARBON R.	1/6W(F) 33K	R144,46	2
122	CARBON R.	1/6W(F) 39K	R145	1
123	CARBON R.	1/6W(F) 47K	R108A,36,41,55-56,38A	8
124	CARBON R.	1/6W(F) 68K	R173	1
125	CARBON R.	1/6W(F) 100K	R143,48,81-82	4
126	CARBON R.	1/6W(F) 180K	R167	1
127	CARBON R.	1/6W(F) 220K	R171-72,79	3
128	CARBON R.	1/6W(F) 240K	R158-59	2
129	CARBON R.	1/6W(F) 620K	R174	1
130	SEME FIXED R.	CT-6P 10K	FVR101-02	2
131	2-PIN SOCKET	3024-02CH	CN104S	1
132	7-PIN SOCKET	3024-07CH	CN103S	1
133	10-PIN SOCKET	3024-10CH	CN105S,07S	2
134	8-PIN SOCKET	5124-08BHPB	CN101S	1
135	10-PIN SOCKET	5124-10BHPB	CN106S	1
136	12-PIN SOCKET	5124-12BHPB	CN102S	1
137	COAXIAL CN.	SM551	CN5S,6S	2
138	IC SOCKET	110-99-628		1
139	JUMPER SOCKET	DSP01-002-430G	JP102S	1
140	COAXIAL CORD	06-0.8D		1
141	PCB	06MPR318		1
142	SHIELD WIRE	EMR-1S-MST		1
143	RX UNIT CHAS.	2A10-0105		1
144	RX UNIT COVER	3A10-0320		1
145	BIND SCREW	BD-2.6 X 5		10
146	NUT	NT-2.6		2
147	OVAL SCREW	OV-2.6 X 8		12
148	SPRING WASHER	SW-2.6PAI		2



MODEL : KG110 VHF      CODE : KG110-15B50DBR      UNIT : VHF TX MAIN UNIT

NO.	PARTS NAME	DESCRIPTION	CIRCUIT REFERENCE	Q'TY
149	IC	UPD2764D	IC301	1
150	IC	MC14504BP	IC302	1
151	IC	MC145146P	IC303	1
152	IC	NJM4556	IC309	1
153	IC	TC5027BP	IC305	1
154	IC	UPB571C	IC304	1
155	IC	78M05	IC306	1
156	IC	78M08	IC307	1
157	IC	M5236L	IC308	1
158	DIODE ARRAY	NAL-8CS	DA301	1
159	TRANSISTOR	2SB1019Y	Q303	1
160	TRANSISTOR	2SC1947	Q302	1
161	TRANSISTOR	2SC2644	Q301	1
162	TRANSISTOR	RN1202	Q306	1
163	TRANSISTOR	RN2202	Q304-05	2
164	DIODE	1SS177	D301-06,08-10,12-13	11
165	DIODE	1SS227	D307	1
166	DIODE	1SS237	D314-15	2
167	LED	TLS164	D311	1
168	THERMISTER	50D-5	TH301	1
169	TEST POINT	3022-02A	TP301-02	1
170	TEST POINT	LC-2-S(ORN)	TP303	1
171	COIL	4A-S299	L306-07	2
172	COIL	4A-S185	L305	1
173	LEAD CHOKE	10M(LN-0018)	L304	1
174	LEAD CHOKE	15M(LN-0009)	L301-03,08-09	5
175	VARIABLE COIL	12VXA 68mH	L310-11	2
176	CERAMIC C.	B 1000PF	C313-14,26-29,32-33,41,46-48	15
177			-59-60,66	
178	CERAMIC C.	B 100PF	C324,30A,35,53	4
179	CERAMIC C.	CH 10PF	C334,67	2
180	CERAMIC C.	SL 150PF	C361	1
181	CERAMIC C.	SL 22PF	C336,30B	2
182	CERAMIC C.	SL 47PF	C331	1
183	ELECTROLYTIC C	KMA 16V/100UF	C342	1
184	ELECTROLYTIC C	KMA 16V/10UF	C354	1
185	ELECTROLYTIC C	KMA 16V/47UF	C312,18,38	3
186	ELECTROLYTIC C	KMA 25V/100UF	C345	1
187	ELECTROLYTIC C	KMA 50V/0.1UF	C357-58	2
188	MYLER FILMED C	A7Z 0.015UF	C356	1
189	MYLER FILMED C	A7Z 0.01UF	C339	1
190	MYLER FILMED C	A7Z 0.022UF	C319B	1
191	MYLER FILMED C	A7Z 0.047UF	C351	1
192	MYLER FILMED C	A7Z 0.068UF	C349	1
193	MYLER FILMED C	A7Z 0.1UF	C350	1
194	MONOLYTHIC C.	RPE121C1000PF	C316-17	2
195	MONOLYTHIC M.	B32529-104K	C322	1
196	TANTALUM C.	DN 10V/10UF	C311	1
197	TANTALUM C.	DN 10V/4.7UF	C337	1
198	TANTALUM C.	DN 10V/47UF	C319A	1

MODEL : KG110 VHF      CODE : KG110-15B50DBR      UNIT : VHF TX MAIN UNIT

NO.	PARTS NAME	DESCRIPTION	CIRCUIT REFERENCE	Q'TY
199	TANTALUM C.	DN 16V/2.2UF	C323	1
200	TANTALUM C.	DN 35V/0.1UF	C320	1
201	TANTALUM C.	DN 35V/0.22UF	C365	1
202	TANTALUM C.	DN 35V/0.47UF	C352,55	2
203	TANTALUM C.	DN 35V/1UF	C310,40,43-44	4
204	SST TANTALUM C	SST 35V/0.1UF	C321	1
205	CARBON R.	1/6W(F) 1.2K	R318	1
206	CARBON R.	1/6W(F) 1.5K	R339,46	2
207	CARBON R.	1/6W(F) 10	R321	1
208	CARBON R.	1/6W(F) 10K	R301-07,09,11,12-14,36,45B	14
209	CARBON R.	1/6W(F) 150	R324	1
210	CARBON R.	1/6W(F) 15K	R310,33,50-51	4
211	CARBON R.	1/6W(F) 1K	R322,45A	2
212	CARBON R.	1/6W(F) 2.2K	R338	1
213	CARBON R.	1/6W(F) 2.7K	R326	1
214	CARBON R.	1/6W(F) 22	R327	1
215	CARBON R.	1/6W(F) 220	R316	1
216	CARBON R.	1/6W(F) 22K	R347	1
217	CARBON R.	1/6W(F) 270	R331	1
218	CARBON R.	1/6W(F) 27K	R340B	1
219	CARBON R.	1/6W(F) 3.3	R329A,30	2
220	CARBON R.	1/6W(F) 3.3K	R315,20	2
221	CARBON R.	1/6W(F) 3.9K	R335	1
222	CARBON R.	1/6W(F) 33	R325	1
223	CARBON R.	1/6W(F) 390	R329B	1
224	CARBON R.	1/6W(F) 39K	R334,48	2
225	CARBON R.	1/6W(F) 430	R319	1
226	CARBON R.	1/6W(F) 47	R323	1
227	CARBON R.	1/6W(F) 470	R332	1
228	CARBON R.	1/6W(F) 47K	R308,42,49A	3
229	CARBON R.	1/6W(F) 6.8K	R341	1
230	CARBON R.	1/6W(F) 680	R328,40A,49B,52	4
231	CARBON R.	1/6W(F) 820	R317,37	2
232	METAL FILMED R	RNK2E 33K	R343	1
233	METAL FILMED R	RNK2E 39K	R344	1
234	SEMI FIXED R.	CT-6P 10K	FVR301	1
235	SEMI FIXED R.	CT-6P 1K	FVR302	1
236	SEMI FIXED R.	CT-6P 47K	FVR303	1
237	2-PIN SOCKET	3024-02CH	CN306S	1
238	7-PIN SOCKET	3024-07CH	CN305S	1
239	3-PIN SOCKET	5124-03BHPB	CN304S	1
240	7-PIN SOCKET	5124-07BHPB	CN303S	1
241	8-PIN SOCKET	5124-08BHPB	CN301S	1
242	COAXIAL CORD	106-TCH-1.5D	CN6P	1
243	COAXIAL CORD	110-YNG-1.5D	CN7P	1
244	PCB	10MPT118		1
245	IC SOCKET	110-99-628		1
246	TX UNIT CHA.	2A10-0104		1
247	TX UNIT COVER	3A10-0321		1
248	SHIELD WIRE	EMR-15-MST		1

MODEL : KG110 VHF      CODE : KG110-15B50DBR      UNIT : VHF TX MAIN UNIT

NO.	PARTS NAME	DESCRIPTION	CIRCUIT REFERENCE	Q'TY
249	BIND SCREW	BD-2.6 X 5		8
250	NUT	NT-2.6PAI		3
251	OVAL SCREW	OV-2.6 X 8		11
252	SPRING WASHER	SW-2.6PAI		3

MODEL : KG110 VHF      CODE : KG110-15B50DBR      UNIT : VHF-B RX VCO UNIT

NO.	PARTS NAME	DESCRIPTION	CIRCUIT REFERENCE	Q'TY
253	IC	UPC1651	IC201	1
254	FET	SST310	Q201	1
255	TRANSISTOR	2SA1048LY	Q203,05	2
256	TRANSISTOR	2SC2458LY	Q208	1
257	TRANSISTOR	2SC2753Y	Q202	1
258	TRANSISTOR	2SC3623A	Q207	1
259	TRANSISTOR	RN2202	Q204,06	2
260	ZENER DIODE	05Z5.6Y	D206	1
261	DIODE	1SS177	D203-05,07	4
262	DIODE	1SS227	D202	1
263	VARICAP DIODE	1T32	D201	1
264	THERMISTER	TD5-320DH	TH201	1
265	MICRO INDUCTOR	LA03NA 4.7UF	L201,03A/B	3
266	MICRO INDUCTOR	LA04NA 10UH	L206	1
267	COIL	VCF15R	L202	1
268	COIL	4A-S191	L204	1
269	COIL	4A-S192	L205	1
270	TEST POINT	LC-2-S(BRN)	TP201	1
271	CERAMIC C.	B 1000PF	C202,8A/B,11-16,23,24,27	12
272	CERAMIC C.	RH 2PF	C209	1
273	CERAMIC C.	RH 5PF	C210	1
274	CERAMIC CHIP C	GR40 RH 2PF	C203	1
275	CERAMIC CHIP C	GR40 RH 3PF	C206	1
276	CERAMIC CHIP C	GR40 RH 9PF	C204,07	2
277	CERAMIC CHIP C	GR40 RH 15PF	C205	1
278	MYLER FILMED C	A7Z 0.015UF	C201	1
279	TANTALUM C.	DN 35V/1UF	C218	1
280	TANTALUM C.	DN 10V/4.7UF	C217,21,22	3
281	TANTALUM C.	DN 10V/47UF	C225	1
282	ELECTROLYTIC C	KMA 16V/47UF	C219-20	2
283	MONOLYTHIC C	RPE121C 0.022U	C226	1
284	TRIMMER	DTM 6PF	VC201	1
285	CARBON R.	1/6W(F) 10	R206A,13	2
286	CARBON R.	1/6W(F) 68	R205	1
287	CARBON R.	1/6W(F) 270	R212	1
288	CARBON R.	1/6W(F) 330	R202	1
289	CARBON R.	1/6W(F) 1K	R204,06B,10	3
290	CARBON R.	1/6W(F) 1.8K	R201	1
291	CARBON R.	1/6W(F) 2.7K	R203	1
292	CARBON R.	1/6W(F) 4.7K	R209	1
293	CARBON R.	1/6W(F) 10K	R207-08	2
294	CARBON R.	1/6W(F) 15K	R211	1
295	2-PIN PLUG	SB-02P-HVQ-B	CN104P	1
296	7-PIN PLUG	SB-07P-HVQ-B	CN103P	1
297	PCB	06VCVR318		1
298	VCO UNIT FRAME	4A10-1038		1
299	VCO UNIT COVER	4A10-1039		1
300	ISOLATION MAT	4A10-1041		1
301	PCB MAT	4A10-1273		1
302	STUD FOR VCO	4A10-1267		4

MODEL : KG110 VHF      CODE : KG110-15B50DBR      UNIT : VHF-B RX VCO UNIT

NO.	PARTS NAME	DESCRIPTION	CIRCUIT REFERENCE	Q'TY
303	SEMS SCREW	SE-2.6 X 5		1

MODEL : KG110 VHF      CODE : KG110-15B50DBR      UNIT : VHF-B TX VCO UNIT

NO.	PARTS NAME	DESCRIPTION	CIRCUIT REFERENCE	Q'TY
304	IC	UPC1651	IC401	1
305	FET	SST310	Q401	1
306	TRANSISTOR	2SA1048LY	Q403,05	2
307	TRANSISTOR	2SC2458LY	Q407	1
308	TRANSISTOR	2SC2753Y	Q402	1
309	TRANSISTOR	2SC3623A	Q406	1
310	TRANSISTOR	RN2202	Q404	1
311	VARICAP DIODE	1T32	D401A/B	2
312	ZENER DIODE	05Z5.6Y	D404	1
313	DIODE	1SS177	D403,05	2
314	DIODE	1SS227	D402	1
315	THERMISTER	TD5-320DH	TH401	1
316	MICRO INDUCTOR	LA03NA 4.7UH	L401,02B,03	3
317	MICRO INDUCTOR	LA04NA 10UH	L406	1
318	COIL	VCF15T	L402A	1
319	COIL	4A-S191	L404	1
320	COIL	4A-S192	L405	1
321	TEST POINT	LC-2-S(BRN)	TP401	1
322	CERAMIC C.	B 1000PF	C402,10,12-17,19,24,28	11
323	CERAMIC C.	RH 2PF	C409	1
324	CERAMIC C.	RH 5PF	C411	1
325	CERAMIC CHIP C	GR40 RH 1PF	C406	1
326	CERAMIC CHIP C	GR40 RH 2PF	C404-05	2
327	CERAMIC CHIP C	GR40 RH 7PF	C407	1
328	CERAMIC CHIP C	GR40 RH 9PF	C403	1
329	CERAMIC CHIP C	GR40 RH 15PF	C408	1
330	MONOLYTHIC C.	RPE121C 0.022U	C426	1
331	MYLER FILMED C	A7Z 0.015UF	C401	1
332	TANTALUM C.	DN 35V/0.47UF	C429	1
333	TANTALUM C.	DN 35V/1UF	C427	1
334	TANTALUM C.	DN 10V/4.7UF	C418,22-23	3
335	TANTALUM C.	DN 10V/47UF	C425	1
336	ELECTROLYTIC C	KMA 16V/47UF	C420-21	2
337	TRIMMER	DTM 6PF	VC401	1
338	CARBON R.	1/6W(F) 10	R411A,18	2
339	CARBON R.	1/6W(F) 68	R410	1
340	CARBON R.	1/6W(F) 270	R417	1
341	CARBON R.	1/6W(F) 330	R407	1
342	CARBON R.	1/6W(F) 1K	R409,11B,16	3
343	CARBON R.	1/6W(F) 1.5K	R406	1
344	CARBON R.	1/6W(F) 2.7K	R408	1
345	CARBON R.	1/6W(F) 4.7K	R415	1
346	CARBON R.	1/6W(F) 10K	R402,12-14	4
347	CARBON R.	1/6W(F) 15K	R401	1
348	CARBON R.	1/6W(F) 33K	R404-05	2
349	CARBON R.	1/6W(F) 39K	R403	1
350	2-PIN PLUG	SB-02P-HVQ-B	CN306P	1
351	7-PIN PLUG	SB-07P-HVQ-B	CN305P	1
352	PCB	06VCVT318		1
353	PCB MAT	4A10-1274		1

MODEL : KG110 VHF      CODE : KG110-15B50DBR      UNIT : VHF-B TX VCO UNIT

NO.	PARTS NAME	DESCRIPTION	CIRCUIT REFERENCE	Q'TY
354	STUD FOR VCO	4A10-1267		4

MODEL : KG110 VHF      CODE : KG110-15B50DBR      UNIT : VHF-B PA UNIT

NO.	PARTS NAME	DESCRIPTION	CIRCUIT REFERENCE	Q'TY
355	POWER MODULE	M57719	IC601	1
356	IC	78L08	IC605	1
357	IC	NJM4556D	IC603	1
358	IC	NJM4558D	IC602,04	2
359	TRANSISTOR	2SA950Y	Q604	1
360	TRANSISTOR	2SB1019	Q603	1
361	TRANSISTOR	2SC2120Y	Q605	1
362	TRANSISTOR	2SC2694	Q602	1
363	LED	TLS164	D606	1
364	DIODE	1SS177	D603,05,07-09	5
365	DIODE	1SS237	D601-02	2
366	DIODE	DS135D	D604	1
367	ELIMINATER	BNP002-02	EM601-02	2
368	BARISTER	EBN220-D	BL601	1
369	TEST POINT	LC-2-S(BLN)	TP601	1
370	TEST POINT	LC-2-S(RED)	TP602	1
371	LEAD CHOKE	10M(LN-0018)	L601,03,13,22-24	6
372	LEAD CHOKE	15M(LN-0009)	L605,11,17	3
373	LEAD CHOKE	20M(LN-0010)	L614-16	3
374	COIL	4A-S163	L609	1
375	COIL	4A-S164	L606	1
376	COIL	4A-S195	L612	1
377	COIL	4A-S257	L618,20	2
378	COIL	4A-S258	L619,21	2
379	THROUGH C.	1HB340Y 1000PF	C629	1
380	CERAMIC C.	B 1000PF	C602,05,10,34A/B,35,36-40, -50-54,57,58A/B,61,66	21
381				
382	MONOLYTHIC C.	RPE121C 1000PF	C660,63,65,67	4
383	MONOLYTHIC C.	RPE121C 0.01UF	C656	1
384	TANTALUM C.	DN 35V/1UF	C647,48	2
385	MYLER FILMED C	A7Z 0.01UF	C655,59,62,64,68	5
386	MYLER FILMED C	A7Z 0.022UF	C627	1
387	ELECTROLYTIC C	KMA 16V/10UF	C649	1
388	ELECTROLYTIC C	KMA 25V/10UF	C601,06,11,28	4
389	ELECTROLYTIC C	KMA 25V/33UF	C609	1
390	ELECTROLYTIC C	SME 25V/470UF	C606	1
391	MICA CHIP C.	UC232H 10PF	C633	1
392	MICA CHIP C.	UC232H 22PF	C608	1
393	MICA CHIP C.	UC232H 25PF	C632	1
394	MICA CHIP C.	UC232H 27PF	C641-42	2
395	MICA CHIP C.	UC232H 43PF	C616-17,30	3
396	MICA CHIP C.	UC342H 120PF	C612	1
397	MICA CHIP C.	UC342H 150PF	C613	1
398	MICA CHIP C.	UC342H 220PF	C614-15	2
399	MICA CHIP C.	UC342H 470PF	C607	1
400	MICA C.	RM402 15PF	C643,46	2
401	MICA C.	RM402 33PF	C644A,45	2
402	MICA C.	RM20 150PF	C631	1
403	TRIMMER	TC-8 20PF	VC601	1
404	TRIMMER	TC809 2/18PF	VC603	1



MODEL : KG110 VHF

CODE : KG110-15B50DBR

UNIT : VHF-B PA UNIT

NO.	PARTS NAME	DESCRIPTION	CIRCUIT REFERENCE	Q'TY
405	CARBON R.	1/6W(P) 0	J601	1
406	CARBON R.	1/4W(F) 47	R609	1
407	CARBON R.	1/6W(F) 68	R616	1
408	CARBON R.	1/6W(F) 100	R606	1
409	CARBON R.	1/4W(F) 150	R602	1
410	CARBON R.	1/6W(F) 330	R617	1
411	CARBON R.	1/6W(F) 470	R601,15A	2
412	CARBON R.	1/6W(F) 1K	R610	1
413	CARBON R.	1/6W(F) 1.5K	R622	1
414	CARBON R.	1/6W(F) 2.2K	R611,13,15B,18,20	5
415	CARBON R.	1/6W(F) 4.7K	R607-08	2
416	CARBON R.	1/6W(F) 10K	R614,21,24,26,28-29	6
417	CARBON R.	1/6W(F) 22K	R619,25	2
418	CARBON R.	1/6W(F) 100K	R612	1
419	CARBON R.	1/6W(F) 330K	R623,27	2
420	METAL OXIDE R.	RS1B 1W 15	R604	1
421	METAL OXIDE R.	RS1B 1W 270	R603	1
422	METAL OXIDE R.	SPR2 2W 47	R605	1
423	SEMI FIXED R.	CT-6P 200	FVR601	1
424	SEMI FIXED R.	CT-6P 2K	FVR603	1
425	SEMI FIXED R.	CT-6P 5K	FVR604-05	2
426	SEMI FIXED R.	CT-6P 20K	FVR606-07	2
427	SEMI FIXED R.	CT-6P 50K	FVR602	1
428	PCB	10PAV218		1
429	COAXIAL CORD	110-BEF-1.5D	CN7BP	1
430	COAXIAL CORD	110-TX-1.5D	CN8P	1
431	COAXIAL CORD	10-1.5D		1
432	CONNECTOR ASSY	110-601S	CN601S	1
433	CORD	0.2□ -2050RN		1
434	CORD	0.5□ -177RED		1
435	CORD	3.5W-200		1
436	PCB	10LPP116		1
437	LPP CASE	4A10-1269		3
438	LPP COVER	4A10-1270		3

MODEL : KG110 VHF      CODE : KG110-15B50DBR      UNIT : POWER SUP/RELAY UNIT

NO.	PARTS NAME	DESCRIPTION	CIRCUIT REFERENCE	Q'TY
439	TRANSISTOR	2SC3419Y	Q1	1
440	DIODE	20DL2C	D1	1
441	DIODE	DS135D	D2	1
442	JUMPER PLUG	DPSP02-002-431	J1P	1
443	JUMPER SOCKET	DPSP01-002-430	J1SP	1
444	FUSE HOLDER	F-40C	F1	1
445	CARBON R.	1/6W(F) 10K	R1	1
446	CONNECTOR ASSY	110-6S	CN6S	1
447	2-PIN PLUG	8263-0212-000	CN16P	1
448	CN. POWER	R01-2110	CN604P	1
449	FUSE	FU-15A		1
450	PCB	10PS117		1

MODEL : KG110 VHF      CODE : KG110-15B50DBR      UNIT : D-SUB/CONNECTOR UNIT

NO.	PARTS NAME	DESCRIPTION	CIRCUIT REFERENCE	Q'TY
451	CERAMIC C.	B 1000PF	C1-C38	38
452	37-PIN D-SUB	XM2F-3710	CN602S	1
453	9-PIN D-SUB	XM2F-0910	CN603S	1
454	CONNECTOR ASSY	110-607S	CN607S	1
455	CONNECTOR ASSY	110-1S	CN1S	1
456	CONNECTOR ASSY	110-2S	CN2S	1
457	CONNECTOR ASSY	110-3S	CN3S	1
458	CONNECTOR ASSY	110-4S	CN4S	1
459	37-PIN COVER	XM2T-3701		1
460	9-PIN COVER	XM2T-0901		1
461	STUD FOR D-SUB	XM22-0023		4
462	PLATE FOR CN.	4A10-1256		1
463	PCB	10DSA117		1
464	NUT	NT-3PAI		4

MODEL : KG110 VHF      CODE : KG110-15B50DBR      UNIT : PA CHASSIS UNIT

NO.	PARTS NAME	DESCRIPTION	CIRCUIT REFERENCE	Q'TY
465	COAXIAL RELAY	CX-530D	CN9S*	0
466	CONNECTOR ASSY	110-16S	CN16S*	0
467	CONNECTOR ASSY	110-605S	CN605S	1
468	EARPHONE JACK	HSJ0780-01-010	CN606S	1
469	BNC(PANEL)	BNC-PA-JJ	CN10S	1
470	COAXIAL CORD	110-RX-1.5D	CN5/10	1
471	COAXIAL CN.	N/BNC-PA-JJ		1
472	PA RADIATOR	1A10-0015		1
473	PA UNIT COVER	4A10-1251		1
474	STUD FOR PA	4A10-1250		11
475	SEMS SCREW	SE-2.6 X 5		3
476	SEMS SCREW	SE-2.6 X 8		5
477	SEMS SCREW	SE-3 X 8		4
478	SEMS SCREW	SE-3 X 12		4
479	OVAL SCREW	OV-2.6 X 5		11
480	OVAL SCREW	OV-3 X 8		3
481	BIND SCREW	BDB-2.6 X 5		4
482	FLAT WASHER	FL-3PAI		4
483	SPRING WASHER	SW-3PAI		4
484	NUT	NT-3PAI		4

MODEL : KG110 VHF      CODE : KG110-15B50DBR      UNIT : DISPLY CONTROL UNIT

NO.	PARTS NAME	DESCRIPTION	CIRCUIT REFERENCE	Q'TY
485	TRANSISTOR	RN1202	Q504-08	5
486	LED	LT9010H	D529-32	4
487	LED	LT9010N	D533	1
488	LED	LT9010D	D534	1
489	LED	TLM8101	D527-28	2
490	LED	TLR358	D535-39	5
491	TANTALUM C.	DN 35V/1UF	C525	1
492	CARBON R.	1/6W(F) 150	R588	1
493	CARBON R.	1/6W(F) 220	R584A, 85A, 86-89	6
494	CARBON R.	1/6W(F) 270	R590-94 (EACH A, B, C, D, E, F)	35
495	CARBON R.	1/6W(F) 470	R534-53	20
496	CARBON R.	1/6W(F) 10K	R559	1
497	CONNECTOR ASSY	110-504S	CN504S-08S	5
498	CONNECTOR ASSY	110-509S	CN509S	1
499	CONNECTOR ASSY	110-510S	CN510S-11S	2
500	12-PIN PLUG	3022-12A	TM501-02	2
501	PCB	10LD218		1
502	BIND SCREW	BD-2 X 5		4
503	NUT	NT-2PAI		4
504	FLAT WASHER	FW-2PAI		4

MODEL : KG110 VHF      CODE : KG110-15B50DBR      UNIT : SWITCH CONTROL UNIT

NO.	PARTS NAME	DESCRIPTION	CIRCUIT REFERENCE	Q'TY
505	IC	MC14071BP	IC522-23	2
506	IC	MC14532BP	IC521	1
507	IC	TC9145P	IC528,529	2
508	TRANSISTOR	RN1202	Q511-13	3
509	TRANSISTOR	RN2202	Q514-15	2
510	R. ARRAY	RGLN4X473K	RA504-05	2
511	DIODE	1SS177	D512-17,42	7
512	LED	TLS164	D518-19,20A/B,22-26	9
513	TOUCH SWITCH	98-323	S501-23	23
514	TANTALUM C.	DN 35V/0.1UF	C517-22	6
515	TANTALUM C.	DN 35V/0.47UF	C523-24	2
516	CARBON R.	1/6W(F) 270	R561	1
517	CARBON R.	1/6W(F) 680	R560,62-63,79-83	8
518	CARBON R.	1/6W(F) 47K	R572-74,76,78,84B,85B	7
519	CARBON R.	1/6W(F) 100K	R564-69	6
520	CARBON R.	1/6W(F) 330K	R570-71,75,77	4
521	VOLUME	RK0941110	VR501	1
522	VOLUME/POW.SW	RK0941111W/S	VR502	1
523	CONNECTOR ASSY	110-501S	CN501S	1
524	3-PIN PLUG	3022-03A	JP501	1
525	7-PIN PLUG	5512-07A	CN502P	1
526	13-PIN PLUG	5512-13A	CN503P	1
527	PCB	10S		1
528	PCB	10SW218		1

MODEL : KG110 VHF      CODE : KG110-15B50DBR      UNIT : CONTROL UNIT

NO.	PARTS NAME	DESCRIPTION	CIRCUIT REFERENCE	Q'TY
529	IC	7805	IC501	1
530	IC	7808	IC502	1
531	IC	MC14011BP	IC508-09	2
532	IC	MC14013BP	IC519-20	2
533	IC	MC14015BP	IC524	1
534	IC	MC14049BP	IC517	1
535	IC	TC4068BP	IC513	1
536	IC	MC14075BP	IC518	1
537	IC	MC14081BP	IC512	1
538	IC	NJM555	IC525	1
539	IC	TA7612AP	IC526-27	2
540	IC	TC4076P	IC515-16	2
541	IC	TC4508P	IC511	1
542	IC	TC5068BP	IC503-05	3
543	IC	TC5069BP	IC506-07	2
544	CMOS ROM(A)	UPD27C64	IC510	1
545	CMOS ROM(B)	UPD27C64	IC514	1
546	TRANSISTOR	2SA1359Y	Q501	1
547	TRANSISTOR	2SC2458LY	Q509	1
548	TRANSISTOR	RN1202	Q503,10	2
549	TRANSISTOR	RN2202	Q502	1
550	R. ARRAY	RGLN4X473K	RA501-03	3
551	DIODE	1SS177	D501,04-11,42	10
552	DIODE	DS135D	D503	1
553	ZENER DIODE	05Z2.2Y	D502	1
554	RELAY	MR301-12S	RL501	1
555	BUZZER	PKB-24-SP3301	BZ501	1
556	ELECTROLYTIC C	KMA 16V/100UF	C501,04,06	3
557	ELECTROLYTIC C	KMA 50V/0.1UF	C510,11	2
558	ELECTROLYTIC C	SS 16V/470UF	C508	1
559	MYLER FILMED C	A7Z 0.01UF	C514	1
560	MONOLYTHIC C.	RPE121C 0.1UF	C507,16	2
561	TANTLAUM C.	DN 10V/10UF	C515	1
562	TANTLAUM C.	DN 35V/0.1UF	C513,26-28	4
563	TANTLAUM C.	DN 35V/0.47UF	C512,09	2
564	TANTLAUM C.	DN 35V/1UF	C502-03,05	3
565	CARBON R.	1/6W(F) 1K	R501-02,11,15	4
566	CARBON R.	1/6W(F) 4.7K	R513,17	2
567	CARBON R.	1/6W(F) 10K	R503,10,14,21,31,95	6
568	CARBON R.	1/6W(F) 22K	R512,16,19	3
569	CARBON R.	1/6W(F) 47K	R508,18,26-30,96	8
570	CARBON R.	1/6W(F) 100K	R506,09,24-25,32-33,98	7
571	CARBON R.	1/6W(F) 220K	R522	1
572	CARBON R.	1/6W(F) 330K	R507,23	2
573	CARBON R.	1/6W(F) 1M	R504-05	2
574	IC SOCKET	ICC05-008-360T		1
575	IC SOCKET	ICC05-014-360T		7
576	IC SOCKET	ICC05-016-360T		11
577	IC SOCKET	ICC05-024-360T		1
578	IC SOCKET	110-99-628		2

MODEL : KG110 VHF      CODE : KG110-15B50DBR      UNIT : CONTROL UNIT

NO.	PARTS NAME	DESCRIPTION	CIRCUIT REFERENCE	Q'TY
579	CONNECTOR ASSY	110-11S	CN11S	1
580	CONNECTOR ASSY	110-12S	CN12S	1
581	CONNECTOR ASSY	110-13S	CN13S	1
582	CONNECTOR ASSY	110-14S	CN14S	1
583	CONNECTOR ASSY	110-15S	CN15S	1
584	CONNECTOR ASSY	110-514S	CN514S	1
585	7-PIN SOCKET	5513-07CPB	CN502S	1
586	13-PIN SOCKET	5513-13CPB	CN503S	1
587	2-PIN PLUG	8283-0211-000	CN513P	1
588	7-PIN PLUG	8283-0711-000	CN504P-08P	5
589	7-PIN PLUG	8283-0711-003	CN512P	1
590	8-PIN PLUG	8283-0811-000	CN509P	1
591	10-PIN PLUG	8283-1011-000	CN510P-11P	2
592	13-PIN PLUG	8283-1311-000	CN501P	1
593	PCB	10CT218		1
594	NUT	NT-2.6PAI		3
595	PAN SCREW	PN-2.6 X 8		3
596	SPRING WASHER	SW-2.6PAI		3



MODEL : KG110 VHF      CODE : KG110-15B50DBR      UNIT : CONTROL CHASSIS UNIT

NO.	PARTS NAME	DESCRIPTION	CIRCUIT REFERENCE	Q'TY
597	SPEAKER	KS-110	SP501	1
598	MIC SOCKET	214-SM	CN16P	1
599	CONNECTOR ASSY	110-513S	CN513S	1
600	CONNECTOR ASSY	110-512S	CN512S	1
601	FRONT PANEL	2A10-0113B		1
602	WINDOW LED	4A10-1257		1
603	GRILL SPEAKER	2A10-0115		1
604	NET SPEAKER	4A10-1268		1
605	SW CAP(CH,TON)	98-902.2		2
606	SW CAP(SP,DIS)	98-906.2		2
607	SW CAP(0-9,*#)	98-901.8		14
608	SW CAP (CHECK)	98-902.8		5
609	KNOB VOLUME	20 15 60 2		2
610	CAP VOLUME	30 15 01 1		2
611	BLAND PLATE	110-RD		1
612	STUD FOR CT-A	4A10-1253		3
613	STUD FOR CT-B	4A10-1252		3
614	BIND SCREW	BD-3 X 6		4
615	SEMS SCREW	SE-3 X 8		8
616	SEMS SCREW	SE-2.6 X 5		6

MODEL : KG110 VHF      CODE : KG110-15B50DBR      UNIT : MAIN TERMINAL UNIT

NO.	PARTS NAME	DESCRIPTION	CIRCUIT REFERENCE	Q'TY
617	IC	7805	IC802	1
618	IC	7808	IC801	1
619	IC	AN5733	IC813	1
620	IC	M51304L	IC803	1
621	IC	MC14002BP	IC808	1
622	IC	MC14013BP	IC809	1
623	IC	MC14049BP	IC810	1
624	IC	MC14585BP	IC807	1
625	IC	NJM4556D	IC804	1
626	IC	NJM4558D	IC812,15	2
627	IC	NJM555	IC811	1
628	IC	TA7252P	IC814	1
629	IC	TC5027P	IC806	1
630	IC	TC5043P	IC805	1
631	TRANSISTOR	2SC2458LY	Q801,05	2
632	TRANSISTOR	2SC3623Y	Q807	1
633	TRANSISTOR	RN2202	Q802-04,06	4
634	R. ARRAY	RGLN4X473K	RA801	1
635	R. ARRAY	RGLN8X473K	RA802	1
636	D. ARRAY	NAL-8CS	DA801	1
637	DIODE	ISS177	D802-03,05-16,18,20	16
638	DIODE	ISS237	D821-22,23A/B,24-26	7
639	DIODE	DS135D	D801,04	2
640	RELAY	G2T4-1002R	RL802	1
641	RELAY	MR301-12S	RL801	1
642	DIP SWITCH	KDS16-112	S801	1
643	JUMPER PLUG	DSP02-002-431G	J801P-03P,05P-09P	8
644	JUMPER PLUG	DSP03-003-432G	J804P	1
645	TRANSFORMER	BT-600	MT801	1
646	CHOKE TRANS	CH-105	CH801	1
647	CERAMIC C.	B 1000PF	C807	1
648	ELECTROLYTIC C	KMA 50V/0.1UF	C831	1
649	ELECTROLYTIC C	KMA 50V/1UF	C826	1
650	ELECTROLYTIC C	KMA 25V/4.7UF	C808,29	2
651	ELECTROLYTIC C	KMA 16V/47UF	C830,34-35	3
652	ELECTROLYTIC C	KMA 16V/100UF	C803,05,36	3
653	ELECTROLYTIC C	SME 25V/470UF	C801,02,37	3
654	ELECTROLYTIC C	SME 25V/1000UF	C839	1
655	ELECTROLYTIC C	BP 50V/0.47UF	C832	1
656	MYLER FILMED C	A7Z 1000PF	C825,28	2
657	MYLER FILMED C	A7Z 2200PF	C818	1
658	MYLER FILMED C	A7Z 3300PF	C833	1
659	MYLER FILMED C	A7Z 6800PF	C844	1
660	MYLER FILMED C	A7Z 8200PF	C845	1
661	MYLER FILMED C	A7Z 0.01UF	C822,24,27,40	4
662	MYLER FILMED C	A7Z 0.015UF	C841-43	3
663	MONOLYTHIC M.	B32529-A104	C838	1
664	TANTALUM C.	DN 35V/0.1UF	C819-20,46-47	4
665	TANTALUM C.	DN 35V/0.22UF	C848	1
666	TANTALUM C.	DN 35V/0.47UF	C809,11,13-16,49	7

MODEL : KG110 VHF      CODE : KG110-15B50DBR      UNIT : MAIN TERMINAL UNIT

NO.	PARTS NAME	DESCRIPTION	CIRCUIT REFERENCE	Q'TY
667	TANTALUM C.	DN 35V/1UF	C804,06	2
668	TANTALUM C.	DN 10V/4.7UF	C810,17A/B,21	4
669	TANTALUM C.	DN 16V/10UF	C823,12	2
670	CARBON R.	1/6W(F) 100	R807	1
671	CARBON R.	1/6W(F) 220	R856A	1
672	CARBON R.	1/6W(F) 270	R818-19	2
673	CARBON R.	1/6W(F) 1K	R808,10,21	3
674	CARBON R.	1/6W(F) 1.5K	R814,43,49,55B	4
675	CARBON R.	1/6W(F) 1.8K	R852	1
676	CARBON R.	1/6W(F) 2.2K	R864	1
677	CARBON R.	1/6W(F) 3.3K	R806,10B	1
678	CARBON R.	1/6W(F) 4.7K	R802-03,30,36,41-42,45-46,53	9
679	CARBON R.	1/6W(F) 6.8K	R816	1
680	CARBON R.	1/6W(F) 10K	R801A,04,27,34,47-48,51,54A,55A	16
681			-68-74	
682	CARBON R.	1/6W(F) 15K	R861	1
683	CARBON R.	1/6W(F) 18K	R856B,57	2
684	CARBON R.	1/6W(F) 22K	R801B,60	2
685	CARBON R.	1/6W(F) 27K	R832,37	2
686	CARBON R.	1/6W(F) 33K	R812,22,31,44,54B,67	6
687	CARBON R.	1/6W(F) 39K	R809B,13	2
688	CARBON R.	1/6W(F) 47K	R811,15;17,23A/B,65	13
689			24-26,33,35,38-39	
690	CARBON R.	1/6W(F) 68K	R820	1
691	CARBON R.	1/6W(F) 100K	R809A,28-29,40,50	5
692	CARBON R.	1/6W(F) 220K	R863	1
693	CARBON R.	1/6W(F) 270K	R862	1
694	CARBON R.	1/6W(F) 470K	R858-59	2
695	SEMI FIXED R.	CT-6P 500	FVR807	1
696	SEMI FIXED R.	CT-6P 1K	FVR810	1
697	SEMI FIXED R.	CT-6P 5K	FVR814-15	2
698	SEMI FIXED R.	CT-6P 10K	FVR801,08,12	3
699	SEMI FIXED R.	CT-6P 20K	FVR802-06,09	6
700	SEMI FIXED R.	CT-6P 1M	FVR811	1
701	2-PIN PLUG	3022-02A	TP801-803	3
702	5-PIN SOCKET	5513-05CPB	CN802S	1
703	8-PIN SOCKET	5513-08CPB	CN805S,07S	2
704	9-PIN SOCKET	5513-09CPB	CN804S	1
705	11-PIN SOCKET	5513-11CPB	CN801S,06S	2
706	15-PIN SOCKET	5513-15CPB	CN803S	1
707	5-PIN PLUG	8263-0511-000	CN6P	1
708	6-PIN PLUG	8263-0611-000	CN601P	1
709	3-PIN PLUG	8283-0311-000	CN605P	1
710	7-PIN PLUG	8283-0711-000	CN4P	1
711	7-PIN PLUG	8283-0711-002	CN12P	1
712	7-PIN PLUG	8283-0711-003	CN514P	1
713	8-PIN PLUG	8283-0811-000	CN3P	1
714	8-PIN PLUG	8283-0811-003	CN13P	1
715	9-PIN PLUG	8283-0911-000	CN1P	1
716	9-PIN PLUG	8283-0911-001	CN15P	1

MODEL : KG110 VHF      CODE : KG110-15B50DBR      UNIT : MAIN TERMINAL UNIT

NO.	PARTS NAME	DESCRIPTION	CIRCUIT REFERENCE	Q'TY
717	9-PIN PLUG	8283-0911-002	CN607P	1
718	10-PIN PLUG	8283-1011-000	CN2P	1
719	10-PIN PLUG	8283-1011-003	CN11P	1
720	15-PIN PLUG	8283-1511-003	CN14P	1
721	3-PIN PLUG	SB-03P-HVQ-A	CN304P	1
722	7-PIN PLUG	SB-07P-HVQ-A	CN303P	1
723	8-PIN PLUG	SB-08P-HVQ-A	CN101P, 301P	2
724	10-PIN PLUG	SB-10-HVQ-A	CN106P	1
725	12-PIN PLUG	SB-12P-HVQ-A	CN102P	1
726	IC SOCKET	ICC05-008-360T		4
727	IC SOCKET	ICC05-014-360T		3
728	IC SOCKET	ICC05-016-360T		3
729	JUMPER SOCKET	DSP01-002-430G	JP801S-09S	9
730	IC RADIATOR	4A10-1265		2
731	PCB	10NCB219		1
732	STUD FOR CT-A	4A10-1253		4
733	PAN SCREW	PN-2.6 X 8		4
734	NUT	NT-2.6PAI		8
735	NUT	NT-3PAI		4
736	SPRING WASHER	SW-2.6PAI		8
737	SPRING WASHER	SW-3PAI		4
738	FLAT WASHER	FL-3PAI		4

MODEL : KG110 VHF      CODE : KG110-15B50DBR      UNIT : MAIN CHASSIS UNIT

NO.	PARTS NAME	DESCRIPTION	CIRCUIT REFERENCE	Q'TY
739	CONVERSION CN.	BNC 050-1450		1
740	FUSE	FU-15A		1
741	CHASSIS MAIN	3A10-0318		1
742	SIDE RIGHT	2A10-0114R		1
743	SIDE LEFT	2A10-0114L		1
744	HANDLLE	4A10-1255		2
745	TOP/BOTTOM	3A10-0314		2
746	CORD CLUMPER	UL-13		3
747	STUD FOR PCB	4A10-1261		9
748	CAP BOLT	CAP-4 X 10		8
749	FLAT WASHER	FLB-4PAI		4
750	BIND SCREW	BDB-4 X 6		8
751	BIND SCREW	BDB-3 X 6		12
752	BIND SCREW	BD-3 X 8		10
753	SEMS SCREW	SE-3 X 8		12
754	BIND SCREW	BD-2.6 X 10		1
755	BIND SCREW	SE-2.6 X 5		8
756	EDGE PROTECTOR	CE-12S		1

MODEL : KG110 VHF      CODE : KG110-15B50DBR      UNIT : PS110 CONTROL UNIT

NO.	PARTS NAME	DESCRIPTION	CIRCUIT REFERENCE	Q'TY
757	IC	NJM4558D	IC101	1
758	TRANSISTOR	2SC3419Y	Q101-02	2
759	ZENER DIODE	05Z6.8Y	D112	1
760	ZENER DIODE	05Z7.5Y	D103,07	2
761	DIODE	ISS177	D106,08	2
762	DIODE	DS135D	D101-02,04,05,09,10	6
763	LEAD CHOKE	20M(LN-0010)	L101	1
764	RELAY	AR6611	RL101-02	2
765	RELAY	MR301-12S	RL103	1
766	MYLER FILMED C	A7Z 1000PF	C103	1
767	CERAMIC C.	B 1000PF	C101,04	2
768	JUMPER R.	1/6W(P) 0	J101-04	4
769	CARBON R.	1/6W(F) 820	R112	1
770	CARBON R.	1/6W(F) 1.5K	R102,05,09	3
771	CARBON R.	1/6W(F) 3.3K	R103-04	2
772	CARBON R.	1/6W(F) 4.7K	R108,10	2
773	CARBON R.	1/6W(F) 6.8K	R107	1
774	CARBON R.	1/6W(F) 10K	R106	1
775	CARBON R.	1/6W(F) 220K	R111	1
776	METAL OXIDE R.	RS1B 1W 33	R101	1
777	ENAMELED R.	QGZ 40W 3 OHM	R113	1
778	SHANT PLATE	4A10-1271	R114	1
779	SEMI FIXED R.	CT-6P 100	FVR102	1
780	SEMI FIXED R.	CT-6P 10K	FVR101,03-04	3
781	4-PIN PLUG	8263-0412-000	CN2P	1
782	5-PIN PLUG	8263-0512-000	CN1P	1
783	CONNECTOR ASSY	110-PS-7S	CN7S	1
784	BIND SCREW	BD-3 X 8		4
785	NUT	NT-3PA1		4
786	SPRING WASHER	SW-3PA1		4
787	PCB	10RS218		1
788	PCB	10S1		1
789	CONNECTOR ASSY	110-PS-2S	CN2S	1
790	POWER SWITCH	AC21400G	S101	1

MODEL : KG110 VHF      CODE : KG110-15B50DBR      UNIT : PS 110 DISPLAY UNIT

NO.	PARTS NAME	DESCRIPTION	CIRCUIT REFERENCE	Q'TY
791	IC	TA7612	IC102-03	2
792	LED	LT9010H	D113	1
793	LED	LT9010N	D114	1
794	LED	TLM8101	D115-16	2
795	CARBON R.	1/6W(F) 1K	R115,30,32	3
796	CARBON R.	1/6W(F) 1.5K	R119-28,33-42	20
797	CARBON R.	1/6W(F) 3.3K	R118	1
798	CARBON R.	1/6W(F) 10K	R117,31	2
799	CARBON R.	1/6W(F) 22K	R116,29	2
800	CONNECTOR ASSY	110-PS-1S	CN1S	1
801	CONNECTOR ASSY	110-PS-6S	CN6S	1
802	12-PIN PLUG	3022-12A	TM101-02	2
803	BIND SCREW	BD-2 X 5		4
804	NUT	NT-2PA1		4
805	FLAT WASHER	FW-2PA1		4
806	PCB	10AC218		1

MODEL : KG110 VHF      CODE : KG110-15B50DBR      UNIT : PS110 NL UNIT

NO.	PARTS NAME	DESCRIPTION	CIRCUIT REFERENCE	Q'TY
807	TRANSISTOR	2SC2120Y	Q104	1
808	TRANSISTOR	2SD1414	Q103	1
809	ZENER DIODE	05Z10Y	D118	1
810	BOLCK DIODE	1G4B42	D117	1
811	TRANSFORMER	PT-110	PT101	1
812	ELECTROLYTIC C	SME 50V/100UF	C105	1
813	CARBON R.	1/6W(F) 270	R144	1
814	CARBON R.	1/6W(F) 3.3K	R145-46	2
815	CARBON R.	1/6W(F) 4.7K	R143	1
816	2-PIN PLUG	8263-0212-000	CN6P,7P	2
817	BIND SCREW	BD-3 X 8		2
818	PAN SCREW	PN-2.6 X 10		1
819	NUT	NT-2.6PAI		1
820	NUT	NT-3PAI		2
821	SPRING WASHER	SW-2.6PAI		1
822	SPRING WASHER	SW-3PAI		2
823	PCB	10NL118		1



MODEL : KG110 VHF      CODE : KG110-15B50DBR      UNIT : PS110 CHASSIS UNIT

NO.	PARTS NAME	DESCRIPTION	CIRCUIT REFERENCE	Q'TY
824	POW.SUP. UINT	KRV-300	PS101	1
825	DC FUSE HOLDER	SN-2054	F101	1
826	AC FUSE HOLDER	SN-2059	F102	1
827	AC SOCKET	VF1-03T	CN3P	1
828	BATT. PLUG	R01-2111	CN4P	1
829	DC PLUG	RC1-2110	CN5P	1
830	BATT. SOCKET	R01-2101	CN4S	1
831	DC SOCKET	R01-2102	CN5S	2
832	AC CABLE	P47-SJT-C0028A	CN3S	1
833	BATT. CABLE	110-BATT-5	CN4S	1
834	DC CABLE	110-DC-5	CN5S	1
835	AC FUSE	FU-5A		2
836	DC FUSE	FU-15A		2
837	LUMP FOR P.S.W.	AC283		2
838	DC CORD ASSY	3.5W-170		1
839	DC CORD ASSY	3.5W-200L		2
840	DC CORD ASSY	0.5W-170		1
841	CORD ASSY	0.2-230-RED		1
842	CORD ASSY	.3-120-BLK2.6S		1
843	CORD	1-340-BLK-3/4P		1
844	CORD	3.0-RED-125		1
845	CORD	W-WHT-120		1
846	CORD	W-WHT-370-4S		1
847	CORD	W-WHT-420-4S		1
848	BLAND. PLATE	110-PS		1
849	WINDOW FOR LED	4A10-1260		1
850	FRONT PANEL	2A10-0112		1
851	REAR PANEL	3A10-0323A		1
852	SIDE RIGHT	2A10-0114R		1
853	SIDE LEFT	2A10-0114L		1
854	CHASSIS	3A10-0322		1
855	TOP/BOTTOM	3A10-0314		2
856	HANDLLE	4A10-1255		2
857	STUR FOR PCB	4A10-1261		8
858	CAP BOLT	CAP-4 X 10		8
859	FLAT WASHER	FLB-4PAI		4
860	CAP BOLT	CAP-4 X 6		4
861	OVAL SCREW	Ov-3 X 8		6
862	BIND SCREW	BD-3 X 8		6
863	BIND SCREW	BDB-3 X 8		2
864	BIND SCREW	BDB-3 X 6		12
865	BIND SCREW	BDB-4 X 6		8
866	SEMS SCREW	SE-2.6 X 5		8
867	SEMS SCREW	SE-3 X 8		4
868	NUT	NT-3PAI		2
869	SPRING WASHER	SW-3PAI		2

