

USED ON
T766

THIRD ANGLE PROJECTION

IPN

CONFIDENTIAL: THIS DOCUMENT IS NOT TO BE COPIED NOR THE CONTENTS PASSED ON TO ANY THIRD PARTY WITHOUT THE CONSENT OF TAIT ELECTRONICS LTD

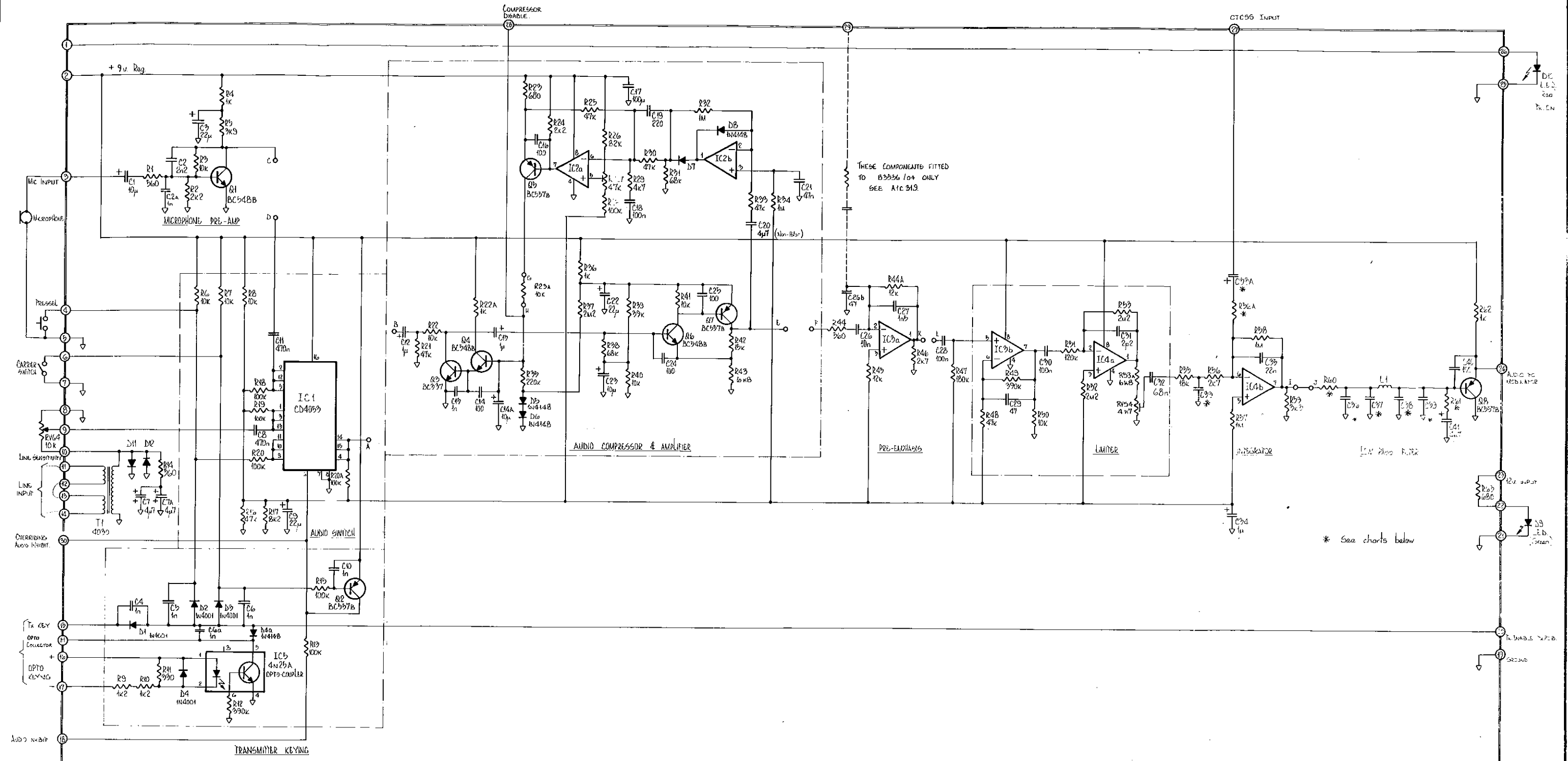
SCALE: MATERIAL: FINISH: GEN. LIMITS:

ISSUE	AMENDMENTS	DRN.	CHKD.	APVD.	DATE
1	ORIGINAL				
2	LINK UP				
3	Ch.N 06-766: C977 5M 6p8, R967 10K				

CIRCUIT DIAGRAM: T366 TRANSMITTER

TAIT ELECTRONICS LTD

DRAWING NUMBER A1 C386 ISSUE



THESE COMPONENTS FITTED TO B3536 104 ONLY SEE A1C 319

* See charts below

MODEL TYPE	CIRCUIT DESCRIPTION	LINKING DETAILS	FILED COMPONENTS												
			C23	C27	C28	R20	R21	L1	C29	R22	R23	R24			
B3536/02	Mic. compressed + pre-emphasis	A-B; C-D, E-F; K-L	15n	-	-	820	40k	68mH	47n	150k	-	-	-	-	-
T346/02	Line compressed + pre-emphasis	A-B; C-D, E-F; K-L	15n	-	-	820	40k	68mH	47n	150k	-	-	-	-	
T356/02	Filter 3.4kHz Low pass	A-B; C-D, E-F; K-L	15n	-	-	820	40k	68mH	47n	150k	-	-	-	-	
T366/06	Filter 3.4kHz Low pass	A-B; C-D, E-F; K-L	15n	-	-	820	40k	68mH	47n	150k	-	-	-	-	
B3536/03	Mic. compressed + pre-emphasis	A-B; C-D, E-F; K-L	22n	15n	15n	680	82k	68mH	47n	150k	-	-	68n	68n	
T396/05	Line compressed + pre-emphasis	A-B; C-D, E-F; K-L	22n	15n	15n	680	82k	68mH	47n	150k	-	-	68n	68n	
T396/05	Filter 3kHz Low pass	A-B; C-D, E-F; K-L	22n	15n	15n	680	82k	68mH	47n	150k	-	-	68n	68n	
T396/06	Filter 3.4kHz Low pass	A-B; C-D, E-F; K-L	22n	15n	15n	680	82k	68mH	47n	150k	-	-	68n	68n	
T396/06	Filter 3.4kHz Low pass	A-B; C-D, E-F; K-L	22n	15n	15n	680	82k	68mH	47n	150k	-	-	68n	68n	
T396/06	Filter 3.4kHz Low pass	A-B; C-D, E-F; K-L	22n	15n	15n	680	82k	68mH	47n	150k	-	-	68n	68n	
T396/06	Filter 3.4kHz Low pass	A-B; C-D, E-F; K-L	22n	15n	15n	680	82k	68mH	47n	150k	-	-	68n	68n	

CONFIDENTIAL: THIS DOCUMENT IS NOT TO BE COPIED NOR THE CONTENTS PASSED ON TO ANY THIRD PARTY WITHOUT THE CONSENT OF TAIT ELECTRONICS LTD

ISSUE	AMENDMENTS	DRN	CHKD	APVD	DATE	ISSUE	AMENDMENTS	DRN	CHKD	APVD	DATE	ISSUE
1	CHN 05-208-05-532	W.W.	W.W.	W.W.	11/1/87	1	ORIGINAL	W.W.	W.W.	W.W.	11/1/87	1
2	CHN 05-214-01-011	W.W.	W.W.	W.W.	11/1/87	2	CHN 01-001 Label on 27	W.W.	W.W.	W.W.	11/1/87	2
3	CHN 01-001 Label on 27	W.W.	W.W.	W.W.	11/1/87	3	CHN 01-001 Label on 27	W.W.	W.W.	W.W.	11/1/87	3
4	CHN 01-001 Label on 27	W.W.	W.W.	W.W.	11/1/87	4	CHN 01-001 Label on 27	W.W.	W.W.	W.W.	11/1/87	4
5	CHN 01-001 Label on 27	W.W.	W.W.	W.W.	11/1/87	5	CHN 01-001 Label on 27	W.W.	W.W.	W.W.	11/1/87	5
6	CHN 01-001 Label on 27	W.W.	W.W.	W.W.	11/1/87	6	CHN 01-001 Label on 27	W.W.	W.W.	W.W.	11/1/87	6
7	CHN 01-001 Label on 27	W.W.	W.W.	W.W.	11/1/87	7	CHN 01-001 Label on 27	W.W.	W.W.	W.W.	11/1/87	7
8	CHN 01-001 Label on 27	W.W.	W.W.	W.W.	11/1/87	8	CHN 01-001 Label on 27	W.W.	W.W.	W.W.	11/1/87	8
9	CHN 01-001 Label on 27	W.W.	W.W.	W.W.	11/1/87	9	CHN 01-001 Label on 27	W.W.	W.W.	W.W.	11/1/87	9
10	CHN 01-001 Label on 27	W.W.	W.W.	W.W.	11/1/87	10	CHN 01-001 Label on 27	W.W.	W.W.	W.W.	11/1/87	10

CIRCUIT DIAGRAM: B3536/1
F.M. TRANSMITTER AUDIO PROCESSOR PCB.

IPN 2200001060

TAIT ELECTRONICS LTD

DRAWING NUMBER A1 C274

ISSUE

USED ON

T334/02

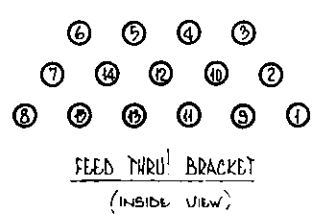
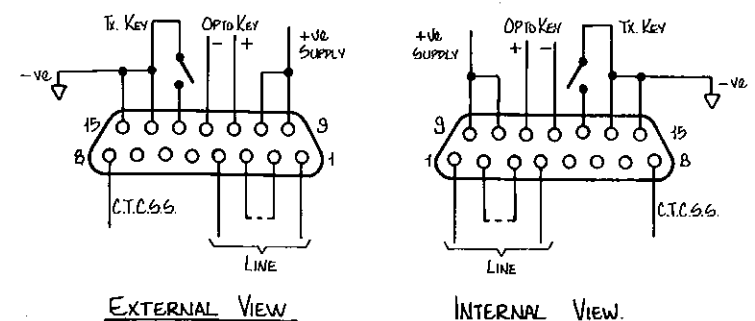
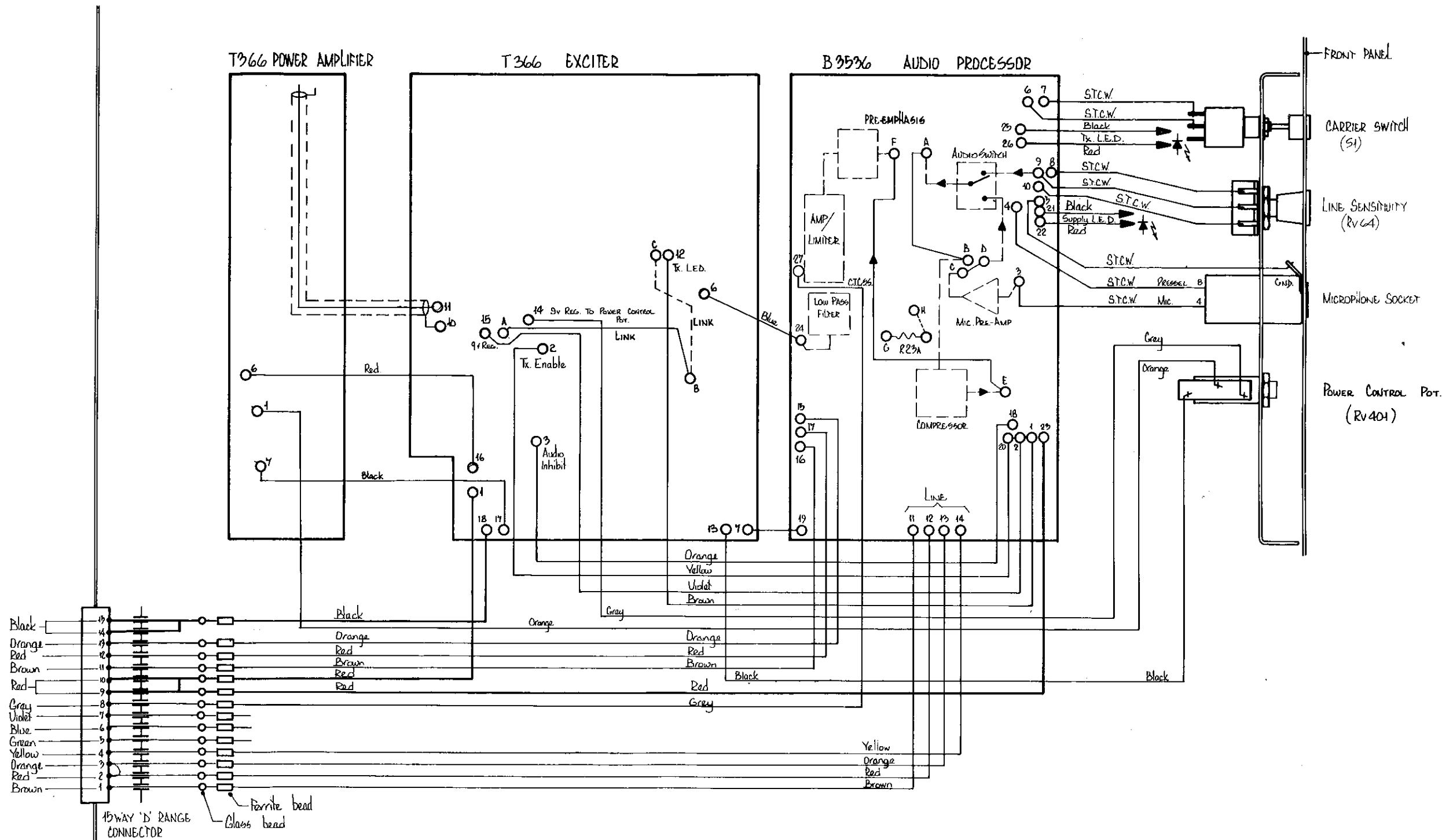
T346/02

T356/02

T366/06

T396/05

T396/06



NOTE:
1. S.T.C.W. — Silicon cleaved finned copper wire.

SCALE :
MATERIAL :
FINISH :
GEN. LIMITS :

CONFIDENTIAL : THIS DOCUMENT IS NOT TO BE COPIED NOR THE CONTENTS PASSED ON TO ANY THIRD PARTY WITHOUT THE WRITTEN CONSENT OF TAIT ELECTRONICS LTD

ISSUE	AMENDMENTS	DRN	CHKD	APVD	DATE
A	ORIGINAL	SIMON	W.J.	S.S.	3-2-83

WIRING DIAGRAM - T366

IPN									
TAIT		TAIT ELECTRONICS LTD							
DRAWING NUMBER		A2C411			ISSUE				
					A				

USED ON
T366/