

	300-470	450-920
C428	5pF	5pF
L407, L418	60i 500	60i 507
L410	4.5/70	5.5/70
L415	4.5/70	2.5/70

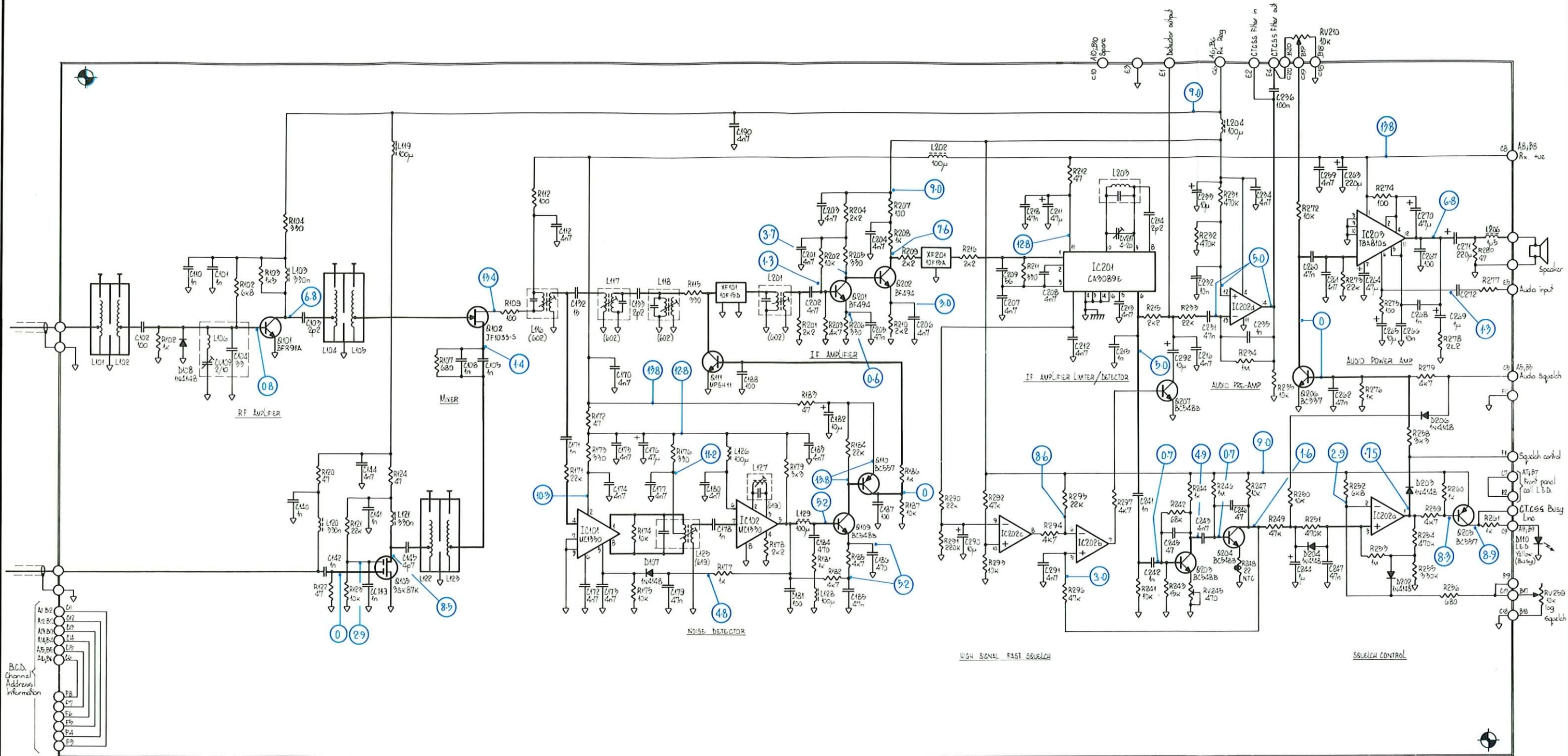
CONFIDENTIAL: THIS DOCUMENT IS NOT TO BE COPIED NOR THE CONTENTS PASSED ON TO ANY THIRD PARTY WITHOUT THE CONSENT OF TAIT ELECTRONICS LTD

SCALE: MATERIAL FINISH GEN. LIMITS:

ISSUE	AMENDMENTS	DRN	CHKD	APVD	DATE	ISSUE	AMENDMENTS	DRN	CHKD	AI	DA-1
1	ORIGINAL					1	ORIGINAL				
2	REVISED					2	REVISED				
3	REVISED					3	REVISED				
4	REVISED					4	REVISED				
5	REVISED					5	REVISED				
6	REVISED					6	REVISED				
7	REVISED					7	REVISED				
8	REVISED					8	REVISED				
9	REVISED					9	REVISED				
10	REVISED					10	REVISED				

CIRCUIT DIAGRAM—T496 EXCITER

TAIT ELECTRONICS LTD  
DRAWING NUMBER A1 C381  
ISSUE



CONFIDENTIAL: THIS DOCUMENT IS NOT TO BE COPIED NOR THE CONTENTS PASSED ON TO ANY THIRD PARTY WITHOUT THE CONSENT OF TAIT ELECTRONICS LTD

SCALE: MATERIAL: FINISH: GEN. LIMITS:

ISSUE AMENDMENTS

ISSUE	AMENDMENTS	DN	CHKD.	APVD.	DATE
A	ORIGINAL WORK UP	W.W.	ARD	W.C.	31/1/85
B	CHN 85787	W.W.	ARD	W.C.	1/2/85
C	CHN 85787 332	A.G.	R.S.	L.H.C.	2.8.85
D	CHN 85787 463, 01-027	D.T.	M.W.	W.C.	5/1/85
E	CHN 85787 173				

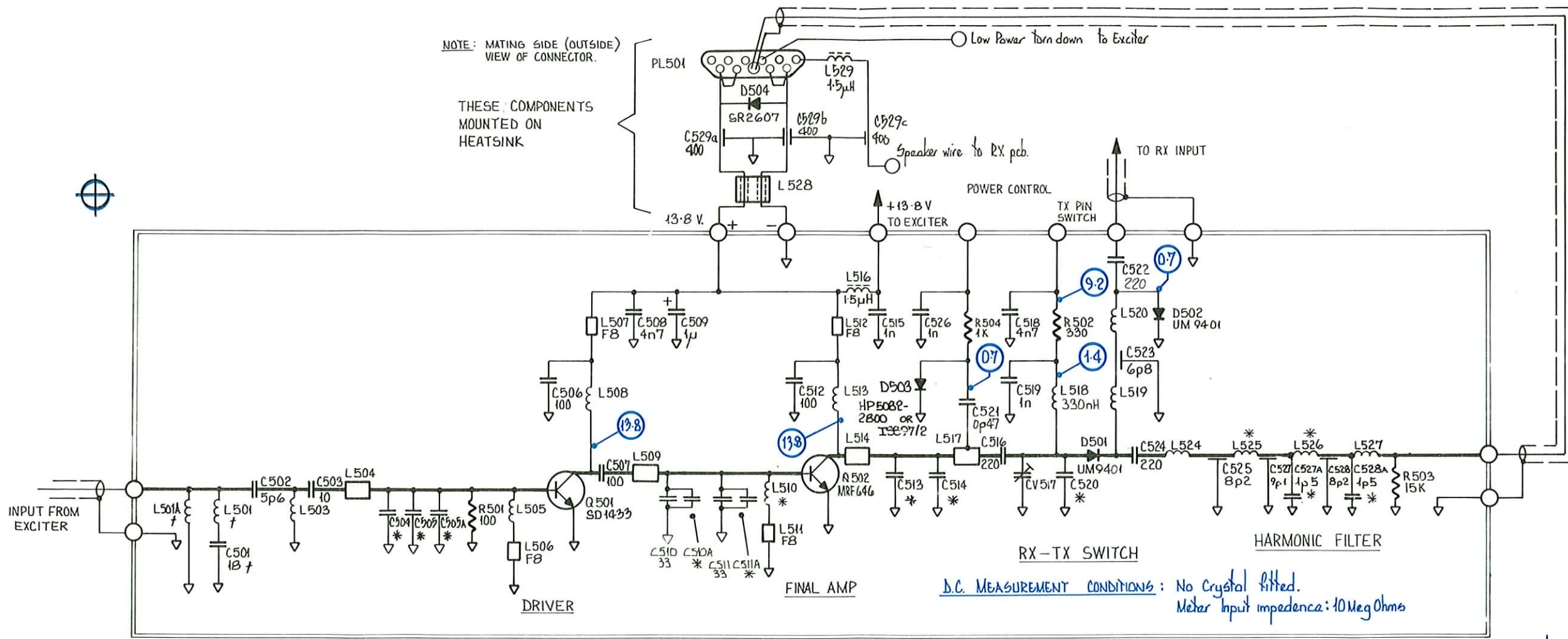
CIRCUIT DIAGRAM - T496 RECEIVER

TAIT ELECTRONICS LTD  
DRAWING NUMBER A1C380

ISSUED  
ISSUE

USED ON

THIRD ANGLE PROJECTION  
IPN



NOTE: MATING SIDE (OUTSIDE) VIEW OF CONNECTOR.

THESE COMPONENTS MOUNTED ON HEATSINK

D.C. MEASUREMENT CONDITIONS: No crystal fitted.  
Meter Input impedance: 10 Meg Ohms

f	T196	T496
L501	2.5T/3.5mmV	LEAVE OUT
C501	18p	LEAVE OUT
L501A	LEAVE OUT	1.5T/40mm Hor

*	400-450 MHz	450-500 MHz	470-520 MHz	420-470 MHz
C510A	10p	LEAVE OUT	Leave out	4p7
C511A	10p	10p (S.I.T.)	10p S.I.T.	10p
L510	5.5T/3mm	3.5T/3mm	3.5T/3mm	3.5T/3mm
L525	2.5T/3.8mm	2.5T 3.5mm	2.5T/3.5mm	2.5T/3.5mm
L526	2.5T/3.8mm	2.5T 3.5mm	2.5T/3.5mm	2.5T/3.5mm
C520	10	LEAVE OUT	Leave out	10
C527A	1p5	"	"	Leave out
C528A	1p5	"	"	Leave out
C513	33p	33p	27p	33p
C514	33p	33p	27p	33p

	400-450 MHz	450-500 MHz	470-520 MHz	420-470 MHz
C504	33p	33p	33p	33p
C505	33p	33p	22p	33p
C505A	18p	LEAVE OUT	LEAVE OUT	LEAVE OUT.

ISSUE	AMENDMENTS	DRAWN	CHKD.	APVD.	DATE
H	CHN 1926: 0502-to-NR111. Change C501A-C511A & Ch N 2142	SB	D.J.	R.V.	11/11/85
J	CHN 02-225 Add C501A. Change C501 & C505	SIMON	RP	R.V.	20-8-78
K	CHN 08-550 470-470 MHz band added to chart.	SIMON	RP	R.V.	23/11/92
L	CHN 08-782 & 07-797. Orig value R504 & Type D503.	SAH	M.V.	R.V.	20/11/93
M	Ch N 85-02-027	G.R.S.	M.N.	M.W.	5/3/85

ISSUE	AMENDMENTS	DRN.	CHKD.	APVD.	DATE
B	REDRAWN	R.B.	R.V.	R.V.	7.11.78
C	CH NOTICE 1170 ADD NOTE	R.V.B.	R.V.	R.V.	5.2.80.
D	CH NOTICE 1235 ADD TABLE *	R.V.B.	R.V.	R.V.	22.10.80
E	CH NOTICE 1360	A.H.D.	R.V.	R.V.	22.10.80
F	CHN 1566-add C528A & C527A	GAH	R.V.	R.V.	10/1/81
G	Ch N 1610 - L526 value added	GAH	D.S.	R.V.	10/1/81

## CIRCUIT DIAGRAM-T196 POWER AMPLIFIER (400-520 MHz) T496

TAIT ELECTRONICS LTD		ISSUE	
DRAWING NUMBER	A2C182	A J K L M	
IPN			

CONFIDENTIAL: THIS DOCUMENT IS NOT TO BE COPIED NOR THE CONTENTS PASSED ON TO ANY THIRD PARTY WITHOUT THE WRITTEN CONSENT OF TAIT ELECTRONICS LTD

USED ON