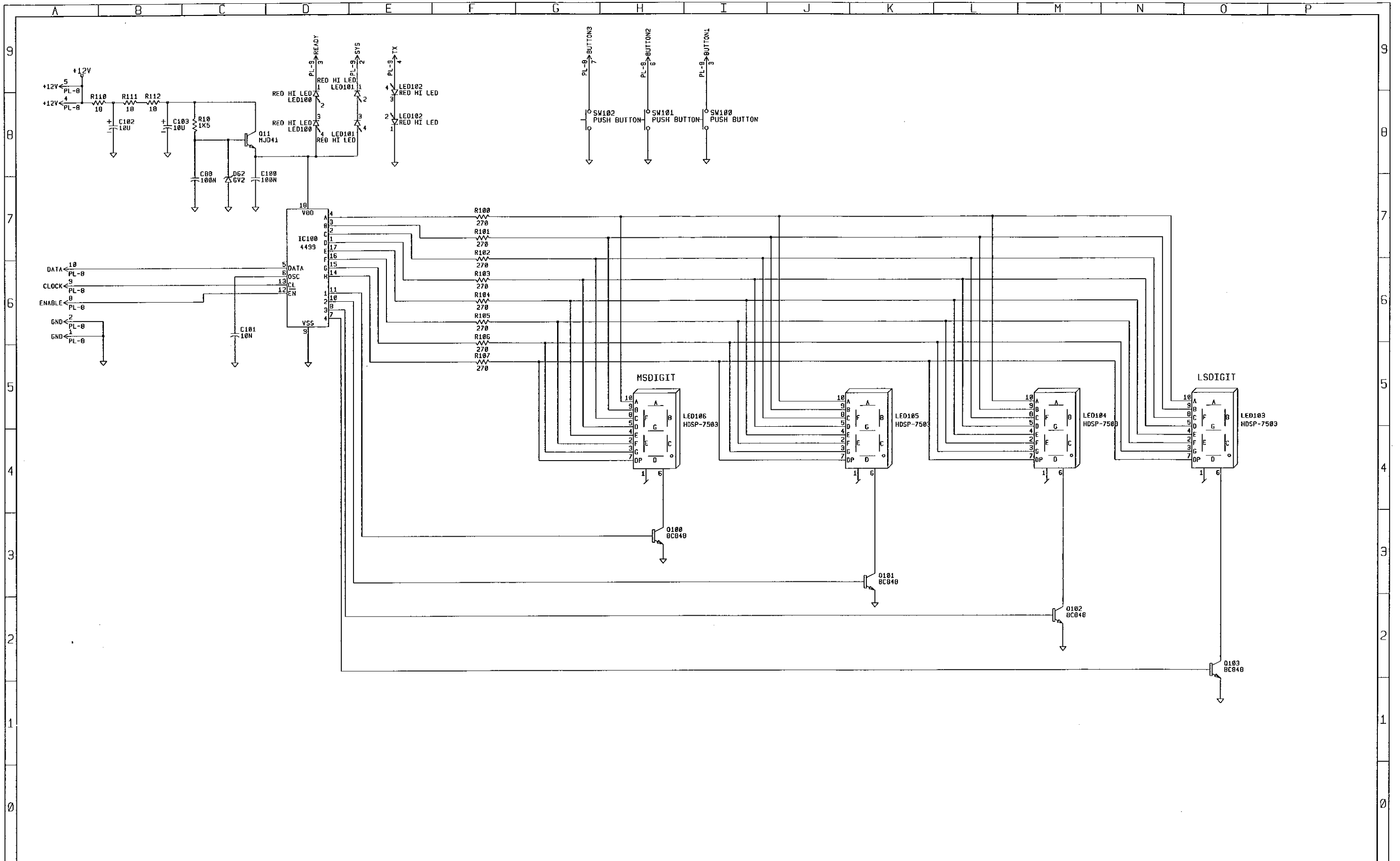


CONNECT LINK 5 FOR 27C512 OPTION
CONNECT LINK 6 FOR 27C256 OPTION

* CONNECT LINK1 FOR 2K RAM OPTION (MK40212)
OR LINK2 FOR 8K RAM OPTION (MK40218)
SUBTRACT 2 FROM PIN NUMBERS AS SHOWN
FOR MK40212

T500TR TRUNKING CONTROL BOARD				TAIT ELECTRONICS NEW ZEALAND			
CIRCUIT DIAGRAM				DRAWING NO: C677		SHEET 1	
				IPN: 220-00011-63		OF 3	
				FILE NAME: 511RLB		FILE DATE: 17/08/85	
ISSUE:	AMENDMENTS:	DRAWN:	CHKD:	APVD:	DATE:	ISSUE	B
B	CH. # 09/06 346 & 09/07 391	B.P			17/08/89		
A	UPDATE FROM 199	B.P			22/05/89		
PROTOL	ORIGINAL	B.P			31/01/89		

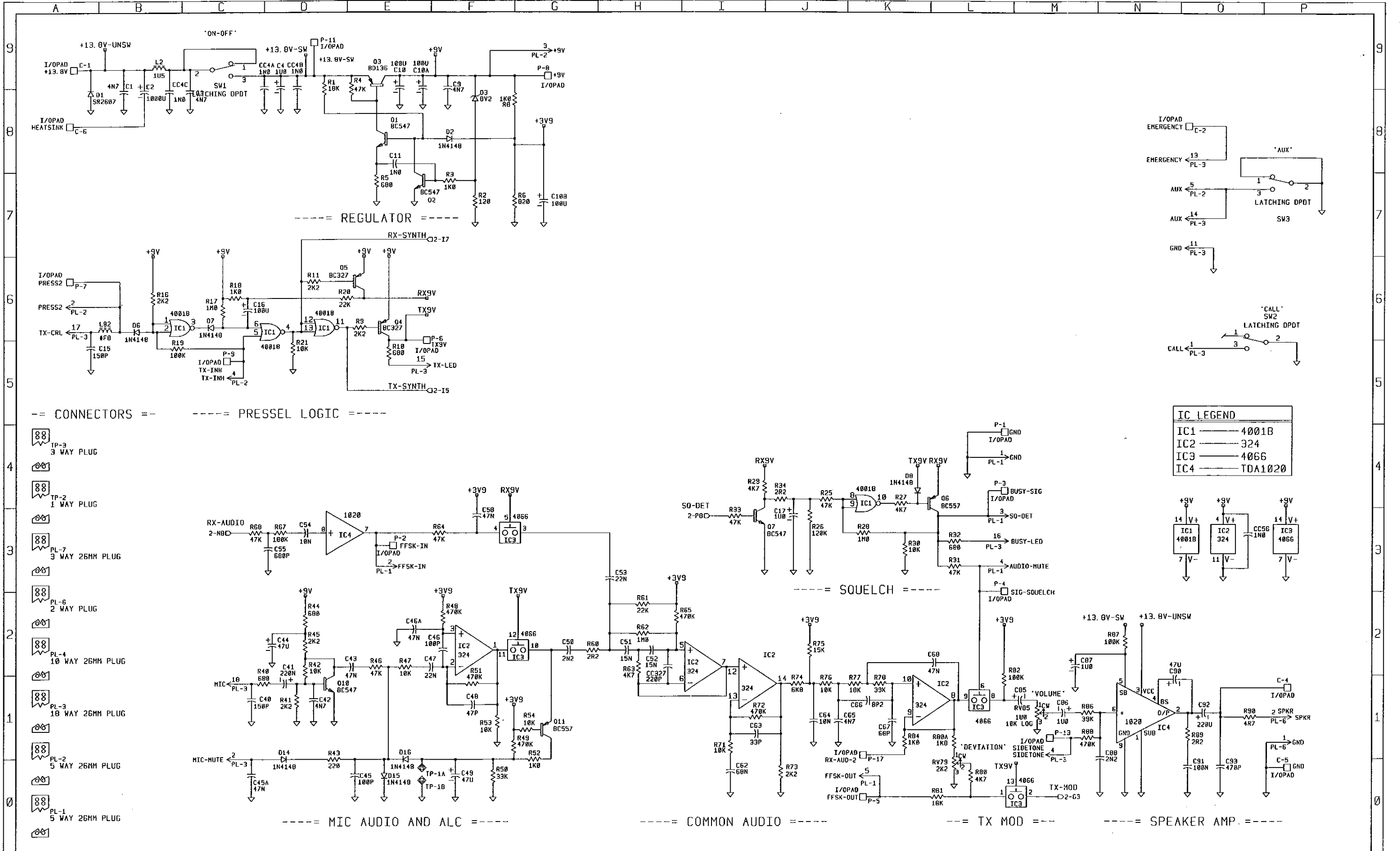


T500TR DISPLAY BOARD
CIRCUIT DIAGRAM

TAIT ELECTRONICS NEW ZEALAND

DRAWING NO: C677	SHEET 2	ISSUE
IPN: 220-00011-63	OF 3	B
FILE NAME: 51TRLB	FILE DATE: 17/08/09	

CH. # 09/06 346 & 09/07 391	B.P	17/08/09
UPDATE FROM I99	B.P	22/05/09
PROT01 ORIGINAL	B.P	31/01/09
ISSUE:	DRAWN:	CHKD:
AMENDMENTS:	APVD:	DATE:



IC LEGEND

IC1	4001B
IC2	324
IC3	4066
IC4	TDA1020

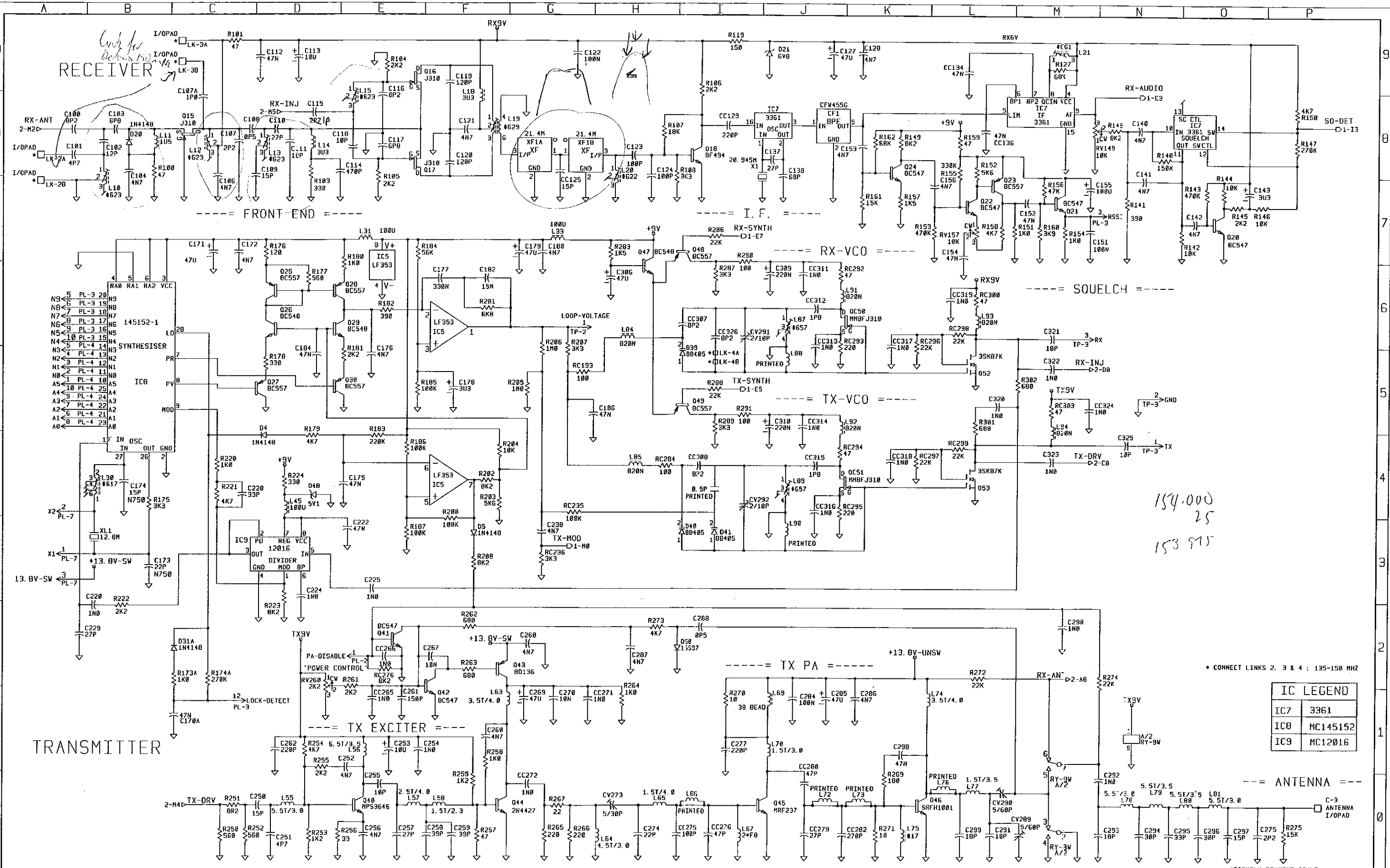
- CONNECTORS**
- TP-3 3 WAY PLUG
 - TP-2 1 WAY PLUG
 - PL-7 3 WAY 25MM PLUG
 - PL-6 2 WAY PLUG
 - PL-4 10 WAY 25MM PLUG
 - PL-3 10 WAY 25MM PLUG
 - PL-2 5 WAY 25MM PLUG
 - PL-1 5 WAY 25MM PLUG

2A	C/N 90/05-220 & 225, /06-246, /07-303, 305 & 306, /08-360	MH
B	CHANGE NOTE 90/05 225	MH
A	CHANGED IPN, ISSUE & ADDED NEW LOOP FILTER	RH
B	01/09-REDUCED TO 2 SHTS, 09/09-CHANGES FROM 09/00 TO 09/09	RH
T-99		JS
ISSUE:	AMENDMENTS:	DRAWN: CHKD: APVD: DATE:

TITLE
T535-39
 AUDIO AND REGULATORS

TAIT ELECTRONICS NEW ZEALAND
 DRAWING NO: C655 SHEET 1 OF 2 ISSUE 2A
 IPN: 220-01142-02
 FILE NAME: 539L2A FILE DATE: 07/09/90

ASSEMBLY DRAWING SCALE:



2A	C/N 90/05-228 & 225, /06-246, /07-303, 305 & 306, /08-360.	MH
B	CHANGE NOTE 90/05 225	LH
A	CHANGED IPN, ISSUE & ADDED NEW LOOP FILTER	RH
B	01/09-REDUCED TO 2 SHTS, 09/09-CHANGES FROM 09/00 TO 09/09	RH
T-99		JS
ISSUE:	AMENDMENTS:	DRAWN:
		CHKD:
		APVD:
		DATE:

TITLE
T535-39
TRANSMITTER & RECEIVER

TAIT ELECTRONICS NEW ZEALAND
 DRAWING NO: C655 SHEET 2 OF 2 ISSUE 2A
 IPN: 220-01142-02
 FILE NAME: 530L2A I.E DATE: 07/09/90

154.000
 25
 153.975

* CONNECT LINKS 2, 3 & 4 : 135-150 MHZ

IC LEGEND	
IC7	3361
IC8	MC145152
IC9	MC12016

--- ANTENNA ---

ASSEMBLY DRAWING SCALE: