

*RADIO STANDARD	*C100 0P5V	*R261 2K2X	IC7 3357
HARINER	1P0V	-	IC8 MC145152
			IC9 MC12016

#BANDWIDTH	#CC125	#C140	#C141	#C142	#CF1	#L19	#R106	#R107	#R108	#R127	#R140	#R141	#R147	#R140	#XF1A	#XF1B
NARROW	15P5	4N7YPI	4N7YPI	4N7V	CFW455C	629	2K7X	2K7X	1K2X	1K0X	150KX	390X	100KX	12KX	21N7.5B	21N7.5B
WIDE	6P85	3N3YPI	3N3YPI	1N0V	CFW455E	630	5K6X	4K7X	2K2X	600X	120KX	330X	270KX	0K2X	21N15B	21N15B

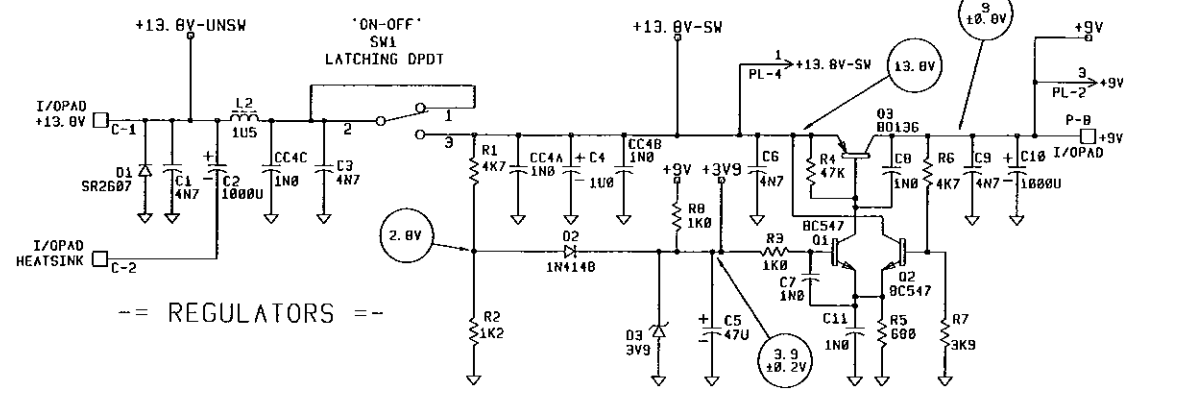
#AERIAL	#C275
BNC	2P2V
UHF	-

○ = DC VOLTAGES MEASURED WITH 100OHM/V METER & SET RUNNING NORMALLY.
 R = RECEIVE MEASURED WITH NO SIGNAL ± 20% TOLERANCE
 T = TRANSMIT @ 25W OUTPUT UNLESS OTHERWISE SHOWN.
 □ = RF VOLTAGE MEASURED WITH DIODE PROBE.
 ~ = AC PEAK TO PEAK VOLTAGES
 R = RECEIVE MEASURED WITH VOLTAGE CONTROL FULLY CLOCKWISE.
 RF LEVEL OF -47DBM MODULATED BY 1KHZ TO ± 3KHZ DEVIATION OR ± 1KHZ DEVIATION.
 N.B. MEASUREMENTS AROUND SQUELCH CIRCUIT ARE MADE WITH NO RF SIGNAL.
 T = TRANSMIT MEASURED IN TRANSMIT MODE WITH 15V RMS 1KHZ SIGNAL @ MIC. INPUT TERMINALS

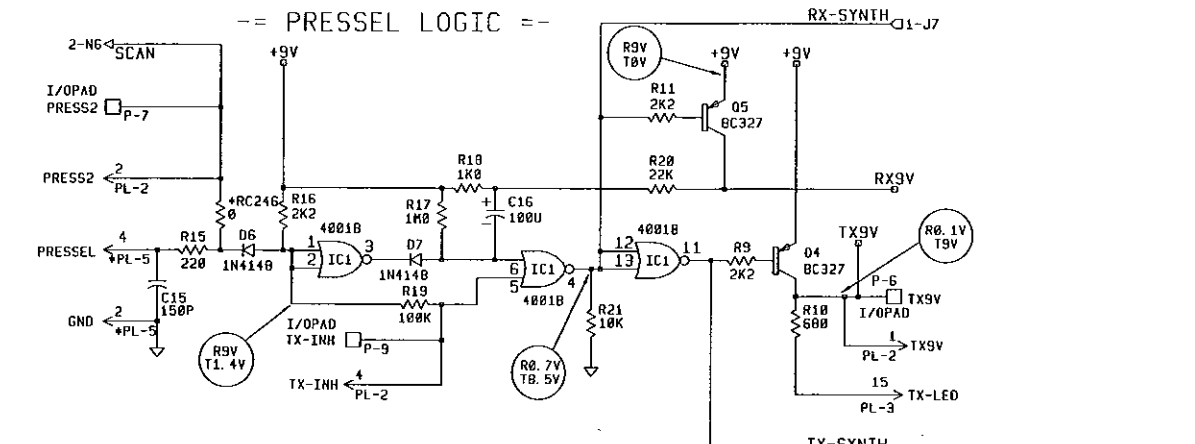
1B	ADDED VOLTAGE OVERLAYS	DJM	21/01/91
1A	C/N 00/05-264, 90/02-066, 90/02-078, 90/07-307	MH	
E	REDUCED TO 2 SHEETS. CH/N 00/12-507, 626	RH	
D	CH. 00/00-309, 404, 412 00/11-536, 561	GWLK	TL SC 1/2/89
C	CHN. 00/06-290	DE	
B		JS	9/6/89
A	UPDATED FROM MANUAL ARTWORK	JS	27/4/88
ISSUE:	AMENDMENTS:	DRAWN:	CHKD:
		APVD:	DATE:

TITLE
T535
 TRANSMITTER AND RECEIVER

ASSEMBLY DRAWING SCALE:
 TAIT ELECTRONICS NEW ZEALAND
 DRAWING NO: C591 SHEET 1 OF 2 ISSUE 1C
 IPN: 220-01111-01 FILE DATE: 19/02/91
 FILE NAME: 535LIC



○ = DC VOLTAGES MEASURED WITH 10MΩ/V METER & SET RUNNING NORMALLY.
 R = RECEIVE MEASURED WITH NO SIGNAL ± 20% TOLERANCE UNLESS OTHERWISE SHOWN.
 T = TRANSMIT @ 25W OUTPUT
 □ = RF VOLTAGE MEASURED WITH DIODE PROBE.
 ~ = AC PEAK TO PEAK VOLTAGES
 R = RECEIVE MEASURED WITH VOLTAGE CONTROL FULLY CLOCKWISE. RF LEVEL OF -47DBM MODULATED BY 1KHZ TO ± 3KHZ DEVIATION OR ± 1KHZ DEVIATION.
 N.B. MEASUREMENTS AROUND SQUELCH CIRCUIT ARE MADE WITH NO RF SIGNAL.
 T = TRANSMIT MEASURED IN TRANSMIT MODE WITH 15V RMS 1KHZ SIGNAL
 ● = MIC. INPUT TERMINALS

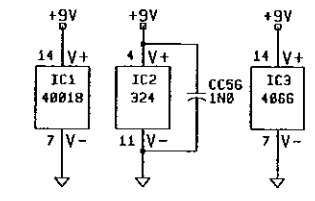


IC	IC1	IC2	IC3	IC4
	4001B	324	4066	TOA1020

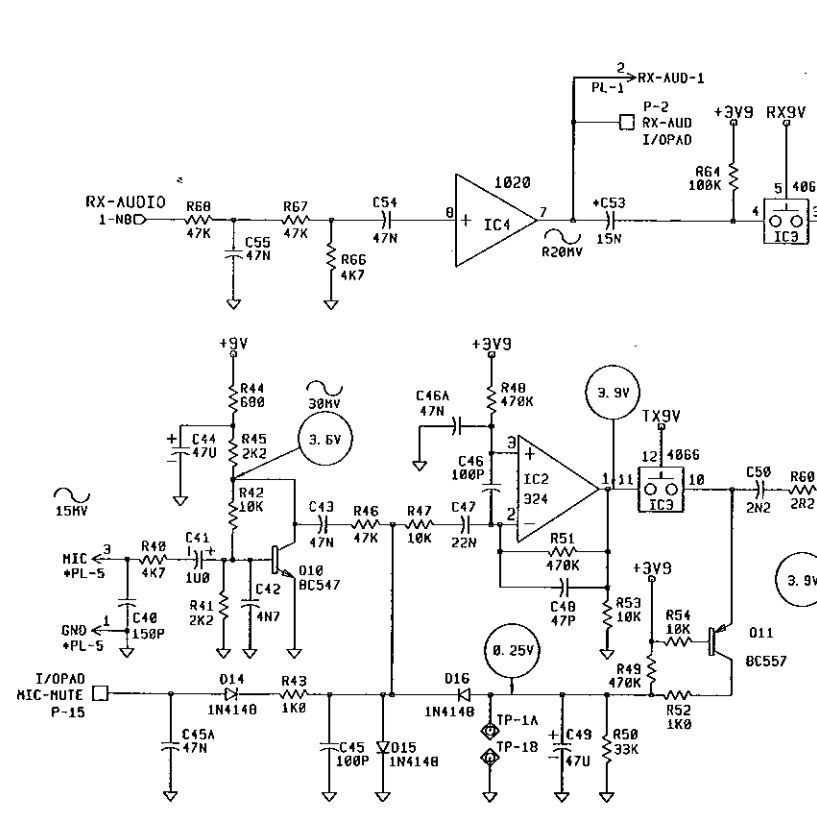
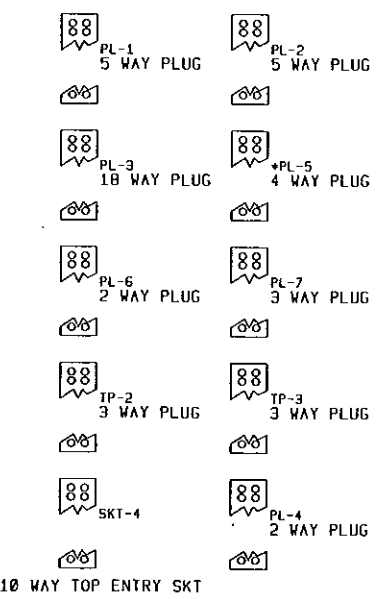
BANDWIDTH	#C52	#C66	#R76	#R77	#R78
WIDE	22NYPI	-	6K0X	12KX	47KX
NARROW	10NYPI	0P2V	12KX	22KX	39KX

RADIO	*C53	*C60	*D42	*D43	*LK-5	*R216	*R217	*R218	*R219	*R249	*RC244	*RC245	*RC246	*SW2	*SW3	*R32	*PL-5
STANDARD	15NYPI	2N2YPI	1N4148	1N4148	OPEN	1K5X	1K5X	1K5X	1K5X	-	0S	0S	0S	2P2WA-NL	2P2WA	600X	PL4U
MARINER	22NYPI	4N7YPI	-	-	SHORTED	-	-	-	-	270X	-	-	-	2P2WA	2P2WA-NL	2R2X	PL3S

== POWER PINS ==



== CONNECTORS ==



== COMMON AUDIO ==

