

* CONNECT LINKS 'A' FOR 175-200 MHZ
CONNECT LINKS 'B' FOR 200-225 MHZ

== SYNTHESISER ==

== RX VCO ==

== TX VCO ==

== TX EXCITER ==

== TX PA ==

FOR 12.5KHZ CHANNEL INCREMENT :
CUT LINK BETWEEN PINS 4 AND 5 OF IC8

IC9	R225	RC300
8793	NOT FITTED	SMD LINK
MC12016	47E	NOT FITTED

IC LEGEND	
IC8	MC145152
IC9	SPB793 OR MC12016

in lock cond.

mid rail

CONNECT LINK 'A' FOR 175-200 MHZ
DISCONNECT LINK 'A' FOR 200-225 MHZ

D	COMPACTED SCHEMATIC TO TWO SHEETS AND UPDATED COMPONENTS.	SKLK
C	88/06-279 88/09-441, 445, 449	DE
B	88/05 278, 88/05 279, 88/06 301, 88/06 317	DE
A	UPDATED TO ISSUE A	DE
T99	UPDATED TO CAD FROM MANUAL ARTWORK	DE
ISSUE:	AMENDMENTS:	DRAWN: CHKD: APVD: DATE:

TITLE: T545 TRANSMITTER & RECEIVER

TAIT ELECTRONICS NEW ZEALAND

DRAWING NO: C3C629 SHEET 2 OF 2 ISSUE D

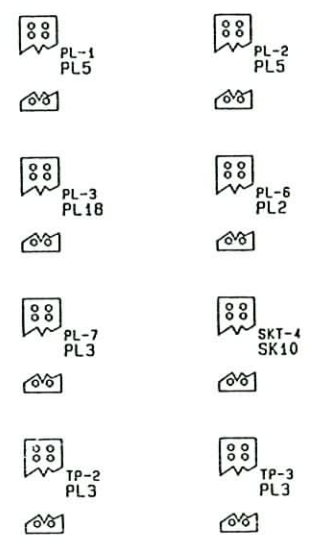
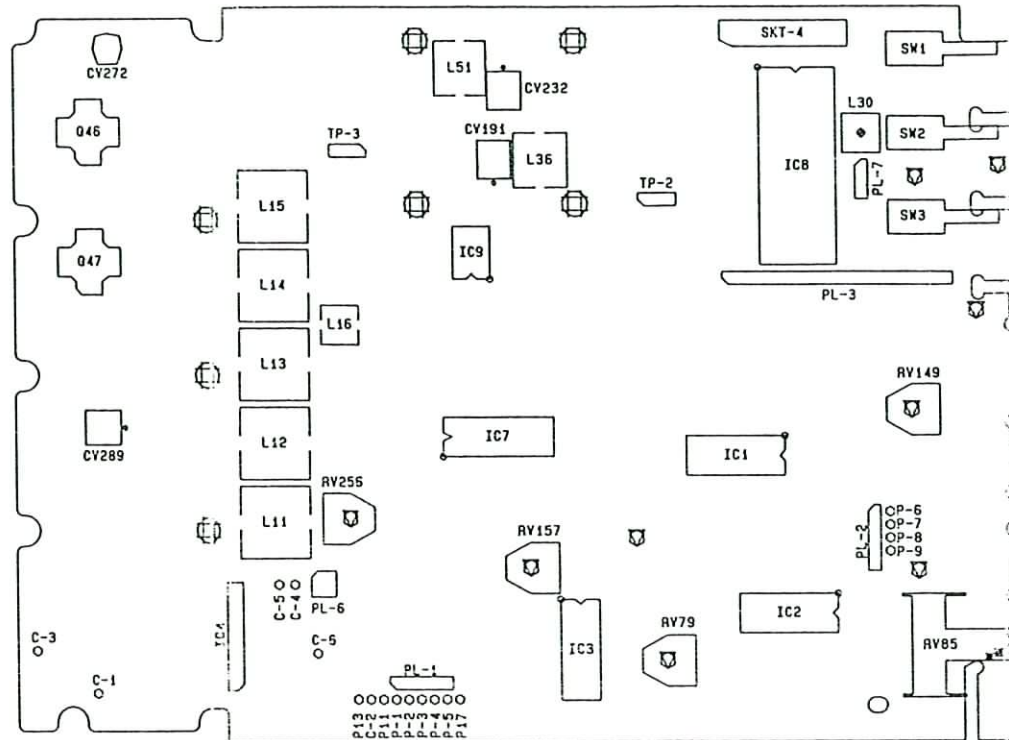
IPN: 220-00011-12

FILE NAME: 45LD FILE DATE: 14/2/89

12

-- COMPONENT SIDE VIEW OF PCB --

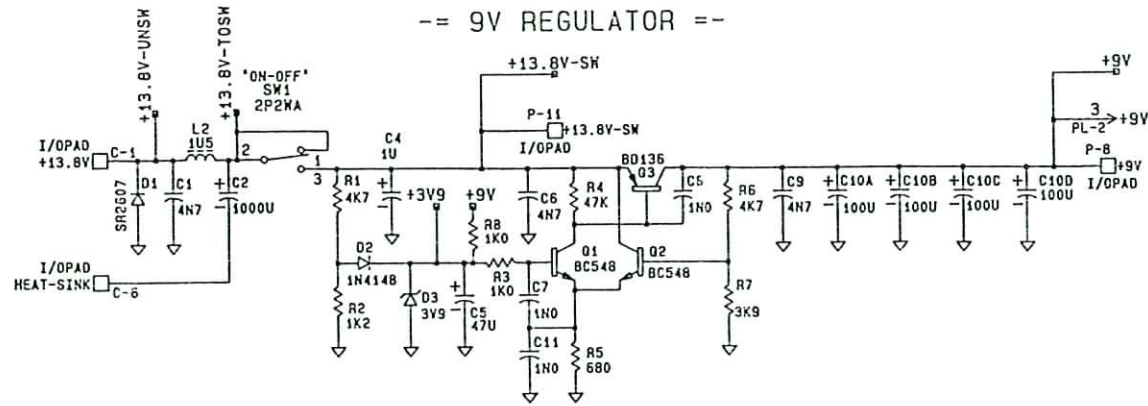
-- CONNECTORS --



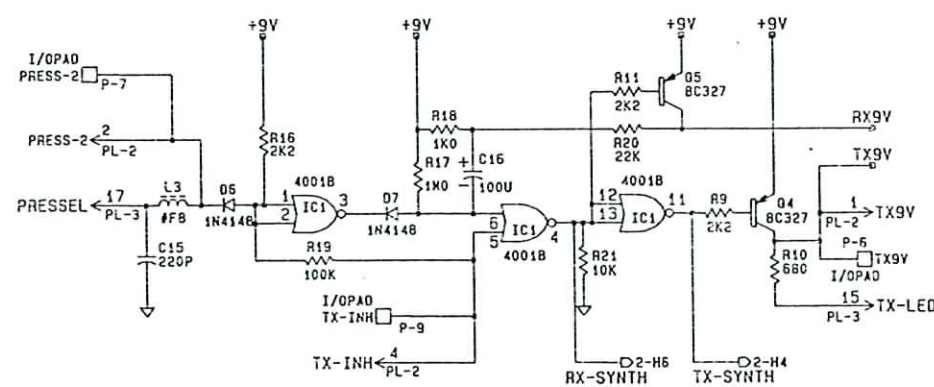
IC LEGEND

IC1	4001B
IC2	324
IC3	4066
IC4	TDA1020

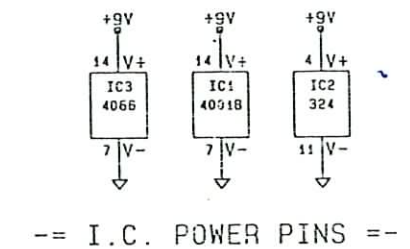
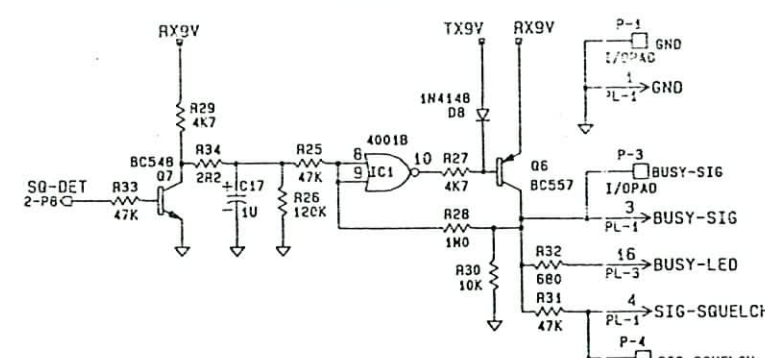
-- 9V REGULATOR --



-- TX TIMER --

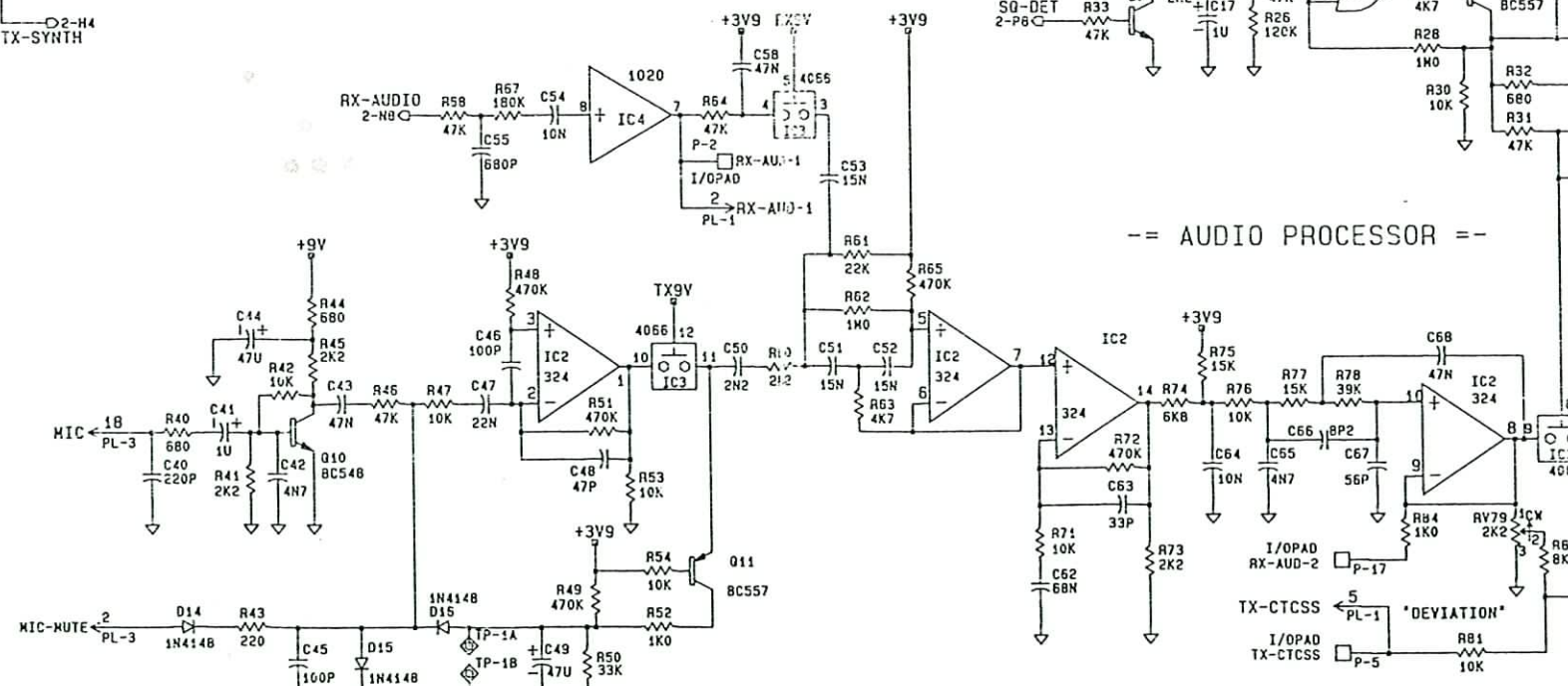


-- SQUELCH --

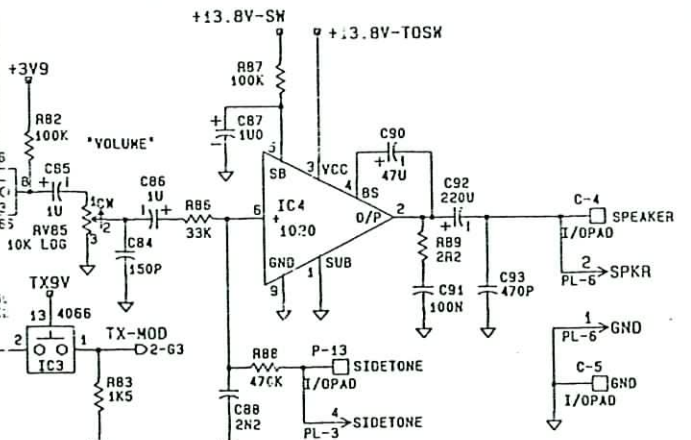


-- I.C. POWER PINS --

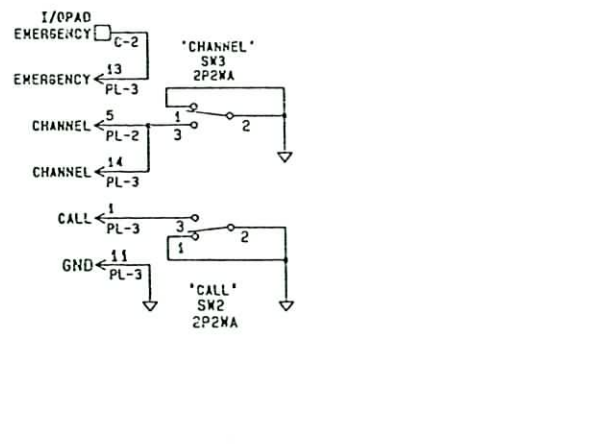
-- AUDIO PROCESSOR --



-- SPEAKER AMPLIFIER --



-- AUTOMATIC MODULATION CONTROL --

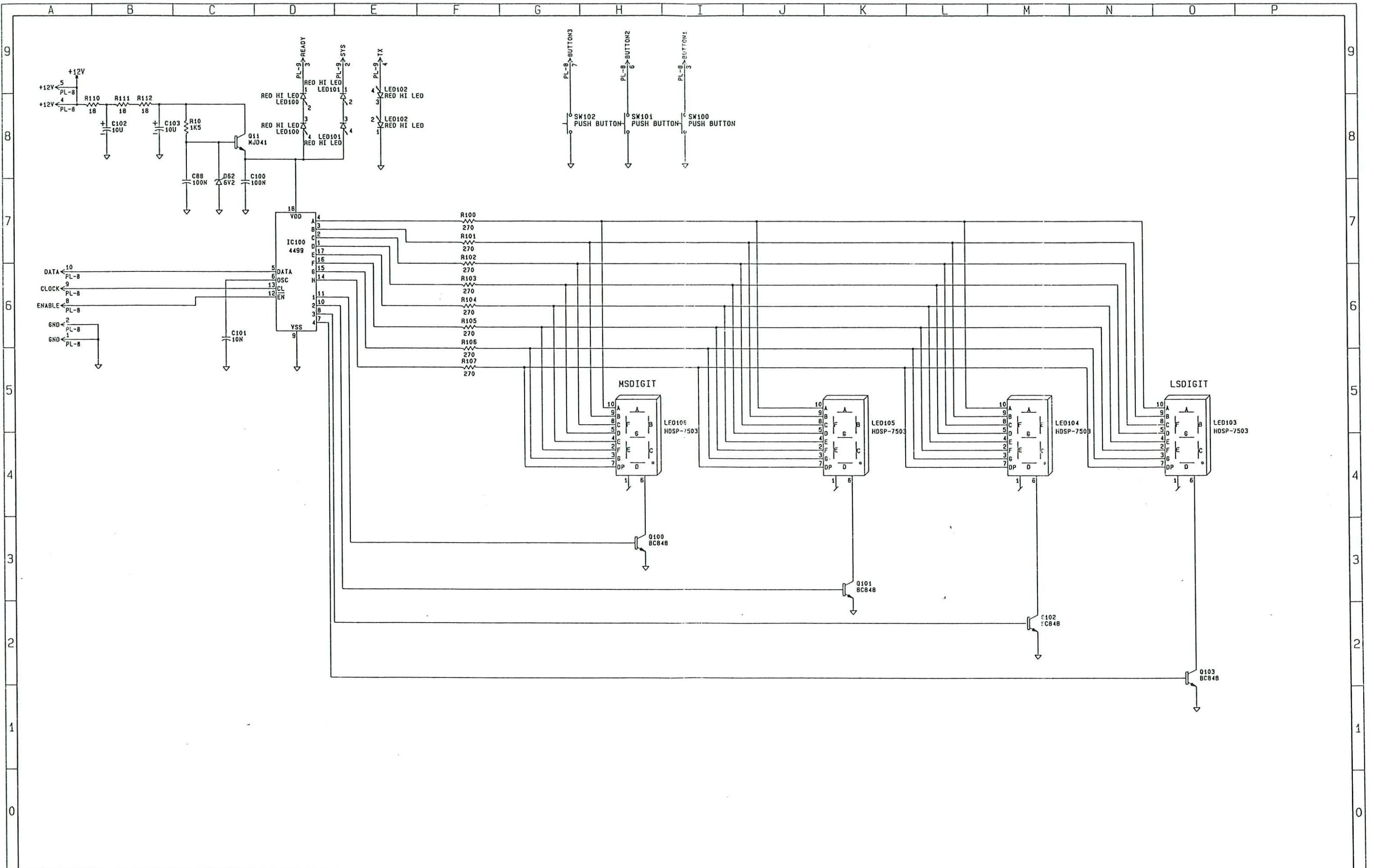


-- TX MOD --

D	COMPACTED SCHEMATIC TO TWO SHEETS AND UPDATED COMPONENTS.	GWLK			
C	88/05-279 88/09-441, 446, 449	DE			27/3/88
B	88/05 278, 88/05 279, 88/06 301, 88/06 317	DE			
A	UPDATED TO ISSUE A	DE			
T99	UPDATED TO CAO FROM MANUAL ARTWORK	DE			11/3/89
ISSUE:	AMENDMENTS:	DRAWN:	CHKD:	APVD:	DATE:

TITLE
T545
AUDIO & REGULATORS

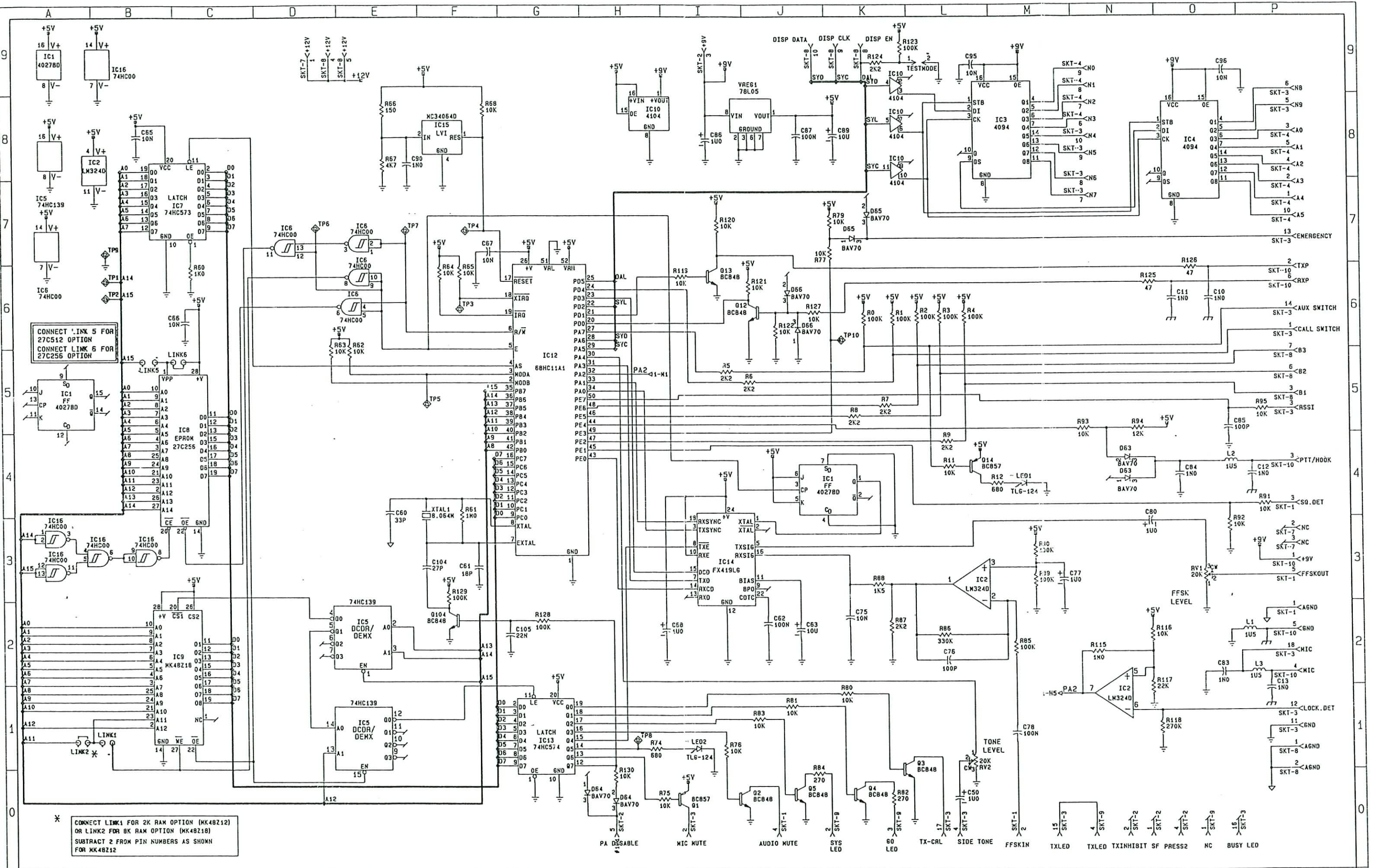
TAIT ELECTRONICS NEW ZEALAND		
DRAWING NO: C3C629	SHEET 1	ISSUE
IPN: 220-00011-12	OF 2	D
FILE NAME: E45LD	FILE DATE: 14/2/89	



ISSUE:	AMENDMENTS:	DRAWN:	CHKD:	APVD:	DATE:
B	CH. # 89/06 346 & 89/07 391	B.P.	<i>MLP</i>	<i>JL</i>	17/08/89
A	UPDATE FROM T99	B.P.			22/05/89
PROT01	ORIGINAL	B.P.			31/01/89

TITLE 545-98 DISPLAY BOARD
CIRCUIT DIAGRAM

TAIT ELECTRONICS NEW ZEALAND		
DRAWING NO: C677	SHEET 2	ISSUE
IPN: 220-00011-63	OF 3	B
FILE NAME: 51TRLB	FILE DATE: 17/08/89	



CONNECT LINK 5 FOR 27C512 OPTION
CONNECT LINK 6 FOR 27C256 OPTION

* CONNECT LINK1 FOR 2K RAM OPTION (MK48212)
OR LINK2 FOR 8K RAM OPTION (MK48218)
SUBTRACT 2 FROM PIN NUMBERS AS SHOWN
FOR MK48212

TITLE 545-98 TRUNKING
CIRCUIT DIAGRAM

TAIT ELECTRONICS NEW ZEALAND
DRAWING NO: C677 SHEET 1 OF 3 ISSUE B
IPN: 220-00011-63
FILE NAME: ETTRLB FILE DATE: 17/08/89

ISSUE:	AMENDMENTS:	DRAWN:	CHKD:	APVD:	DATE:
B	CH. # 89/06 346 & 89/07 391	B.P.	B.P.	B.P.	17/08/89
A	UPDATE FROM T99	B.P.	B.P.	B.P.	22/05/89
PROT01	ORIGINAL	B.P.	B.P.	B.P.	31/01/89