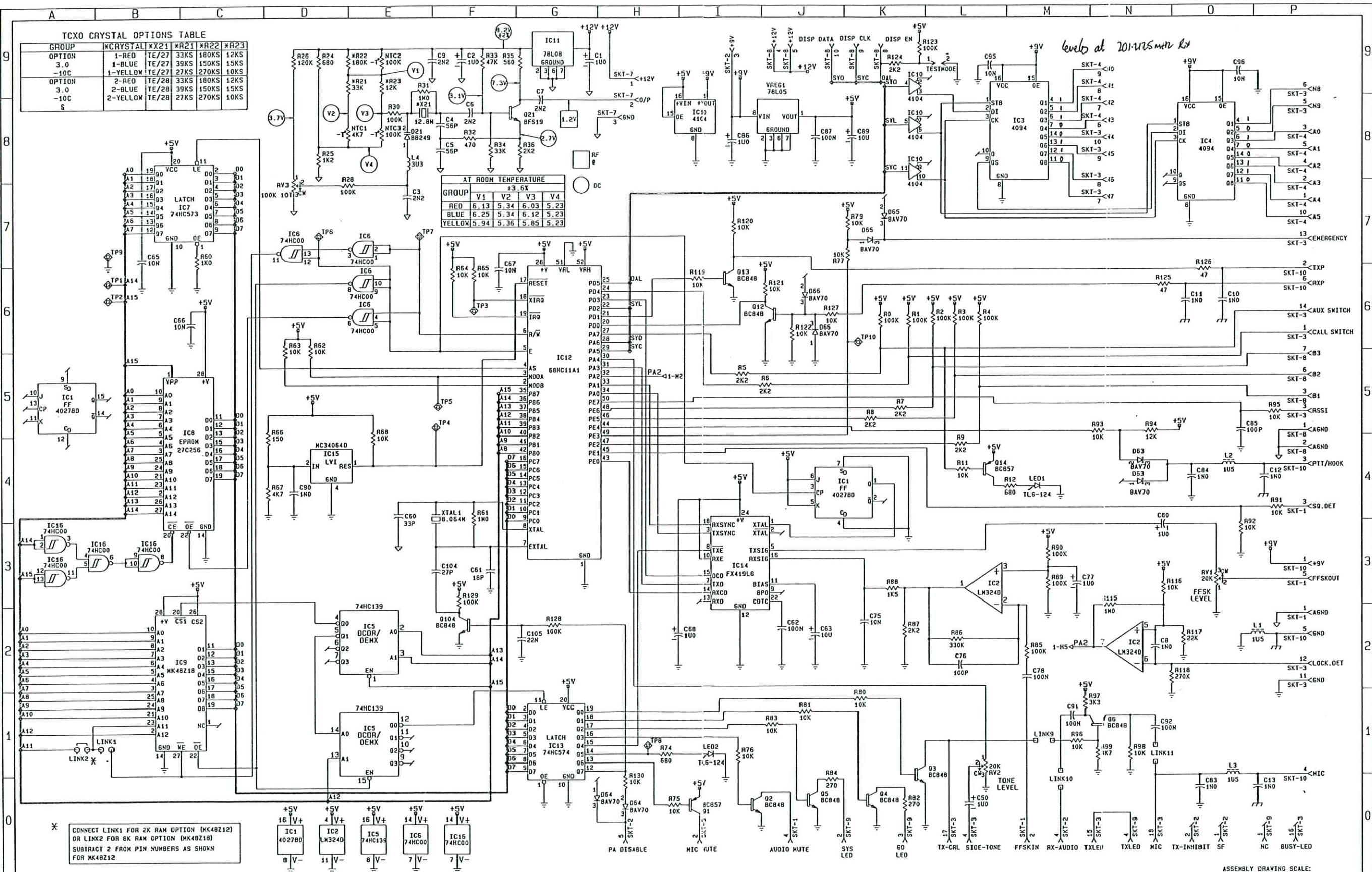


MURRAY 5TTRL202 PLOT A 4.03.00 01/22/91 14:31:45



TCXO CRYSTAL OPTIONS TABLE

GROUP	CRYSTAL	X21	X22	X23
OPTION 3.0 -10C	1-BLUE	TE/27	33KS	180KS
	2-BLUE	TE/28	33KS	180KS
	1-YELLOW	TE/27	27KS	270KS
	2-YELLOW	TE/28	27KS	270KS

AT ROOM TEMPERATURE ±3.6X

GROUP	V1	V2	V3	V4
RED	6.13	5.34	6.03	5.23
BLUE	6.25	5.34	6.12	5.23
YELLOW	5.94	5.36	5.85	5.23

\* CONNECT LINK1 FOR 2K RAM OPTION (MK48212) OR LINK2 FOR 8K RAM OPTION (MK48218) SUBTRACT 2 FROM PIN NUMBERS AS SHOWN FOR MK48212

2A C/N 91/01-09		M. HALL	M. LANE	M. LANE	
1A/1B MARKS CHANGES / C/N 90/12-628		M. HALL	M. LANE	M. LANE	18/12/90
B CH. # 89/05 346 & 89/07 391		B. P.	M. LANE	M. LANE	17/09/89
A UPDATE FROM 199		B. P.	M. LANE	M. LANE	22/05/89
PROT01 ORIGINAL		M. LANE	M. LANE	M. LANE	31/01/89
ISSUE:	AMENDMENTS:	DRAWN:	CHKD:	APVD:	DATE:

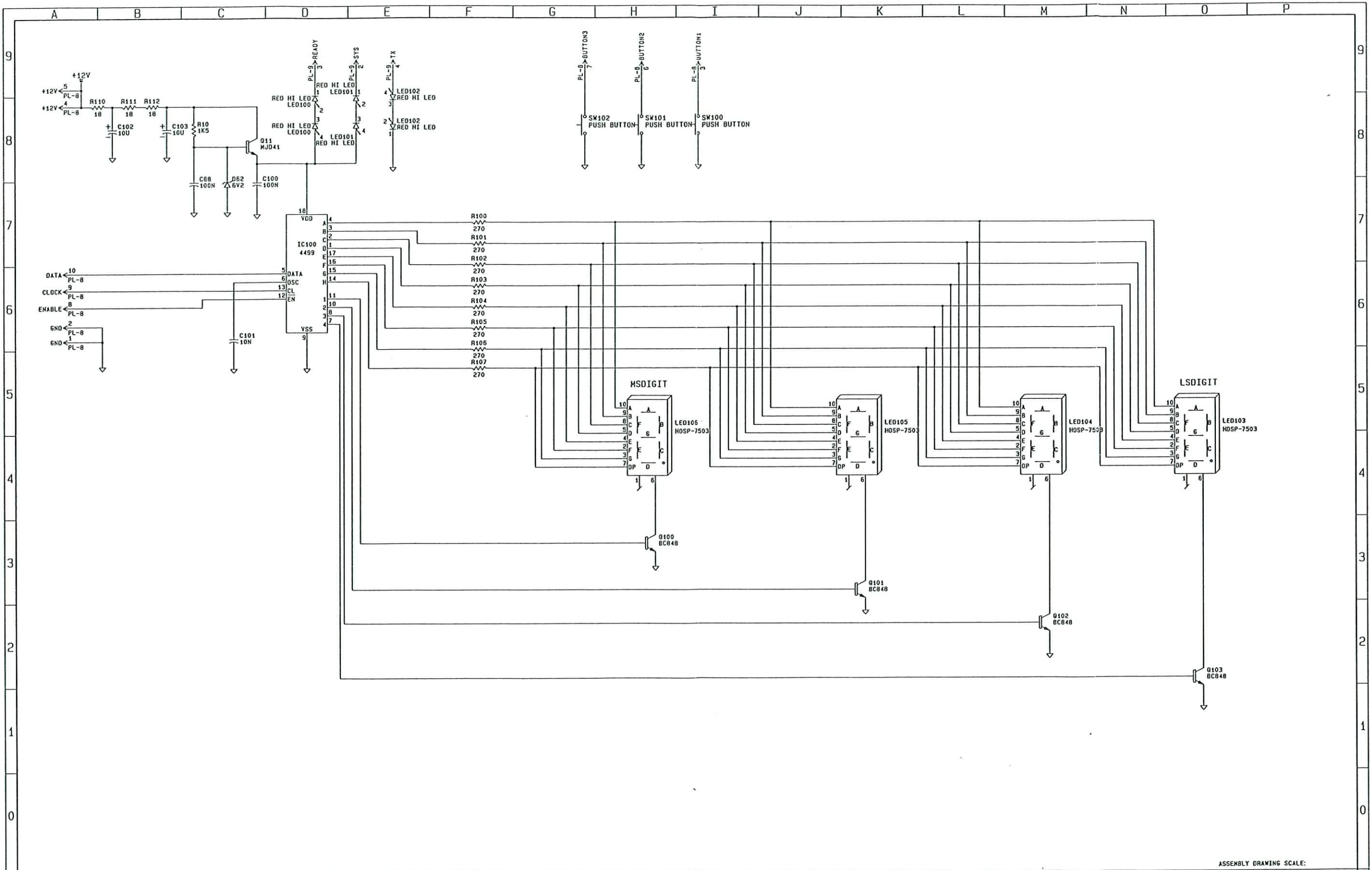
TITLE T500 TRUNKING CONTROL BOARD

TAIT ELECTRONICS NEW ZEALAND  
 DRAWING NO: C677 SHEET 1 OF 2 ISSUE 2A  
 IPN: 220-01163-02  
 FILE NAME: 5TTRL2A FILE DATE: 21/01/91

ASSEMBLY DRAWING SCALE:



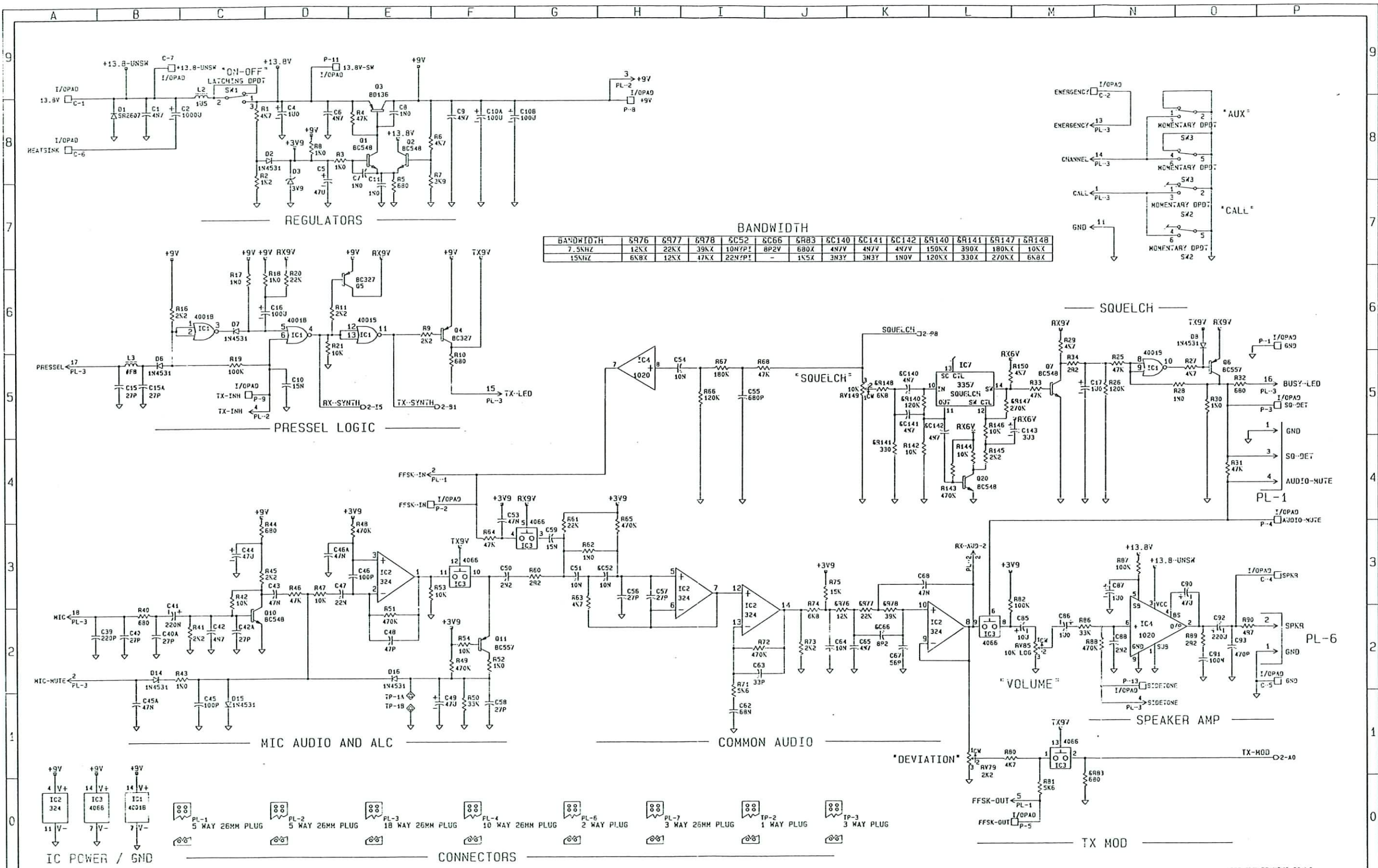
MURRAY 5TTRL203 PLOT A 4.03.00 01/22/91 14:31:56



ASSEMBLY DRAWING SCALE:

<table border="1"> <tr> <td>2A</td> <td>C/N 91/01-09</td> <td>M.HALL</td> <td>M.LANE</td> <td>M.LANE</td> <td></td> </tr> <tr> <td>1A/1B</td> <td>MARKS CHANGES / C/N 90/12-528</td> <td>M.HALL</td> <td>M.LANE</td> <td>M.LANE</td> <td>18/12/90</td> </tr> <tr> <td>B</td> <td>CH. # 89/05 346 &amp; 89/07 391</td> <td>B.P</td> <td>M.LANE</td> <td>M.LANE</td> <td>17/08/89</td> </tr> <tr> <td>A</td> <td>UPDATE FROM T99</td> <td>B.P</td> <td>M.LANE</td> <td>M.LANE</td> <td>22/05/89</td> </tr> <tr> <td>PROTO1</td> <td>ORIGINAL</td> <td>B.P</td> <td>M.LANE</td> <td>M.LANE</td> <td>31/01/89</td> </tr> <tr> <td>ISSUE:</td> <td>AMENDMENTS:</td> <td>DRAWN:</td> <td>CHKD:</td> <td>APVD:</td> <td>DATE:</td> </tr> </table>				2A	C/N 91/01-09	M.HALL	M.LANE	M.LANE		1A/1B	MARKS CHANGES / C/N 90/12-528	M.HALL	M.LANE	M.LANE	18/12/90	B	CH. # 89/05 346 & 89/07 391	B.P	M.LANE	M.LANE	17/08/89	A	UPDATE FROM T99	B.P	M.LANE	M.LANE	22/05/89	PROTO1	ORIGINAL	B.P	M.LANE	M.LANE	31/01/89	ISSUE:	AMENDMENTS:	DRAWN:	CHKD:	APVD:	DATE:	<p>TITLE</p> <h1 style="text-align: center;">T500 TRUNKING DISPLAY BOARD</h1>			<p>TAIT ELECTRONICS NEW ZEALAND</p> <p>DRAWING NO: C677      SHEET 2      ISSUE</p> <p>IPN: 220-01163-02      OF 2      2A</p> <p>FILE NAME: 5TTRL2A      FILE DATE: 21/01/91</p>		
2A	C/N 91/01-09	M.HALL	M.LANE	M.LANE																																									
1A/1B	MARKS CHANGES / C/N 90/12-528	M.HALL	M.LANE	M.LANE	18/12/90																																								
B	CH. # 89/05 346 & 89/07 391	B.P	M.LANE	M.LANE	17/08/89																																								
A	UPDATE FROM T99	B.P	M.LANE	M.LANE	22/05/89																																								
PROTO1	ORIGINAL	B.P	M.LANE	M.LANE	31/01/89																																								
ISSUE:	AMENDMENTS:	DRAWN:	CHKD:	APVD:	DATE:																																								

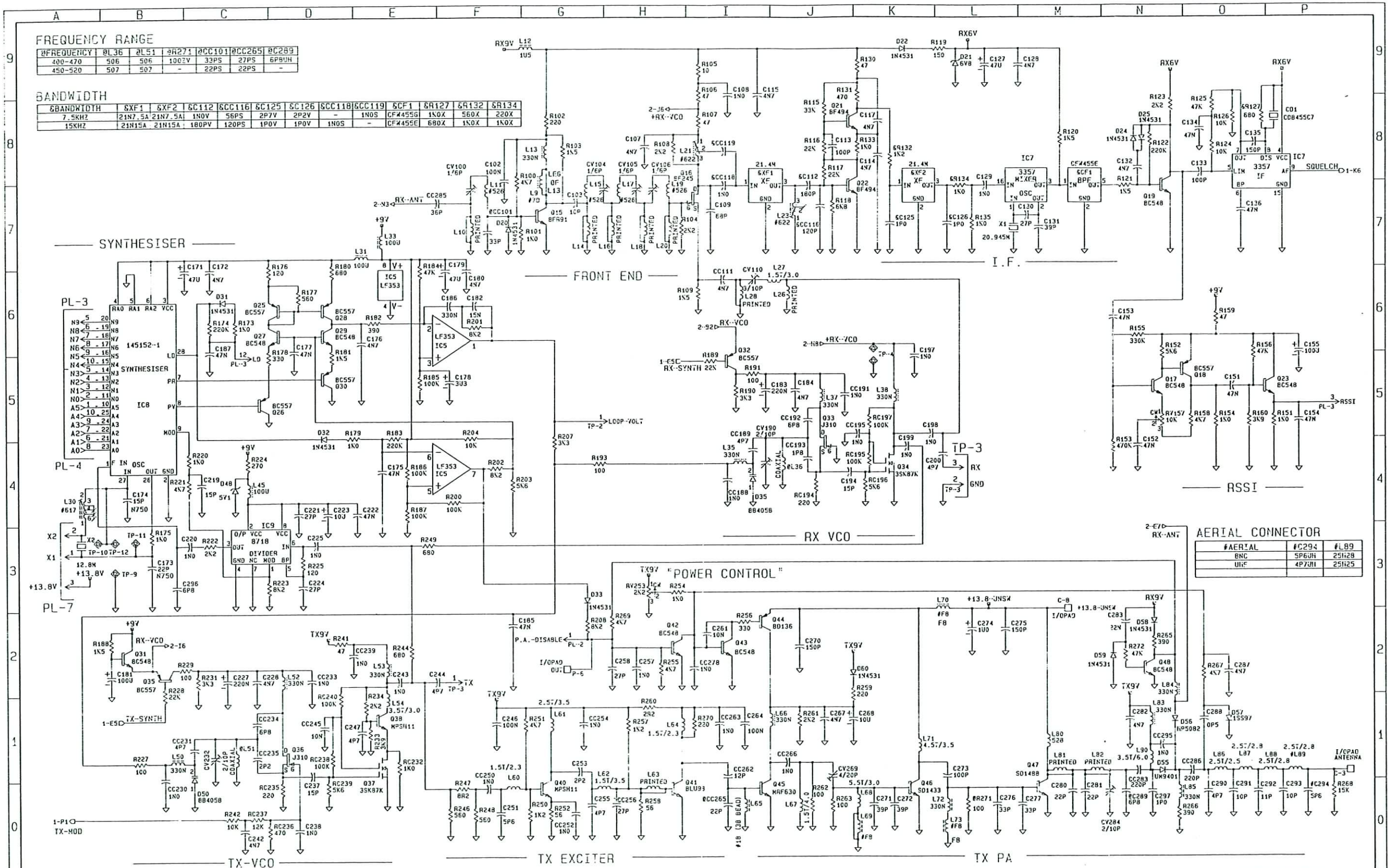
MURRAY 559LT903 PLOT A 4.03.00 03/25/91 18:11:43



ISSUE:						AMENDMENTS:						DRAWN:						CHKD:						APVD:						DATE:																							
T99						CHANGE NOTE 25/12-642						M. HALL																																									
P1						CLONED OFF 222-91113-01 A						D. ELDER																																									
TITLE																		T559																		TAIT ELECTRONICS NEW ZEALAND																	
DRAWING NO: C742																		SHEET 1																		ISSUE																	
IPN: 220-01210-00																		OF 2																		T99																	
FILE NAME: 559LT99																		FILE DATE: 25/03/91																																			



MURRAY 559LT904 PLOT A 4.03.00 03/25/91 18:11:50



ASSEMBLY DRAWING SCALE:

TITLE						T559						TAIT ELECTRONICS NEW ZEALAND					
TRANSMITTER AND RECEIVER						DRAWING NO: C742						SHEET 2 OF 2					
ISSUE:						IPN: 220-01210-00						FILE NAME: 559LT99					
AMENDMENTS:						FILE DATE: 25/03/91						ISSUE T99					
DRAWN: M. HALL						DATE:						ISSUE T99					
CHKD: O. ELDER						DATE:						ISSUE T99					
APVD:						DATE:						ISSUE T99					