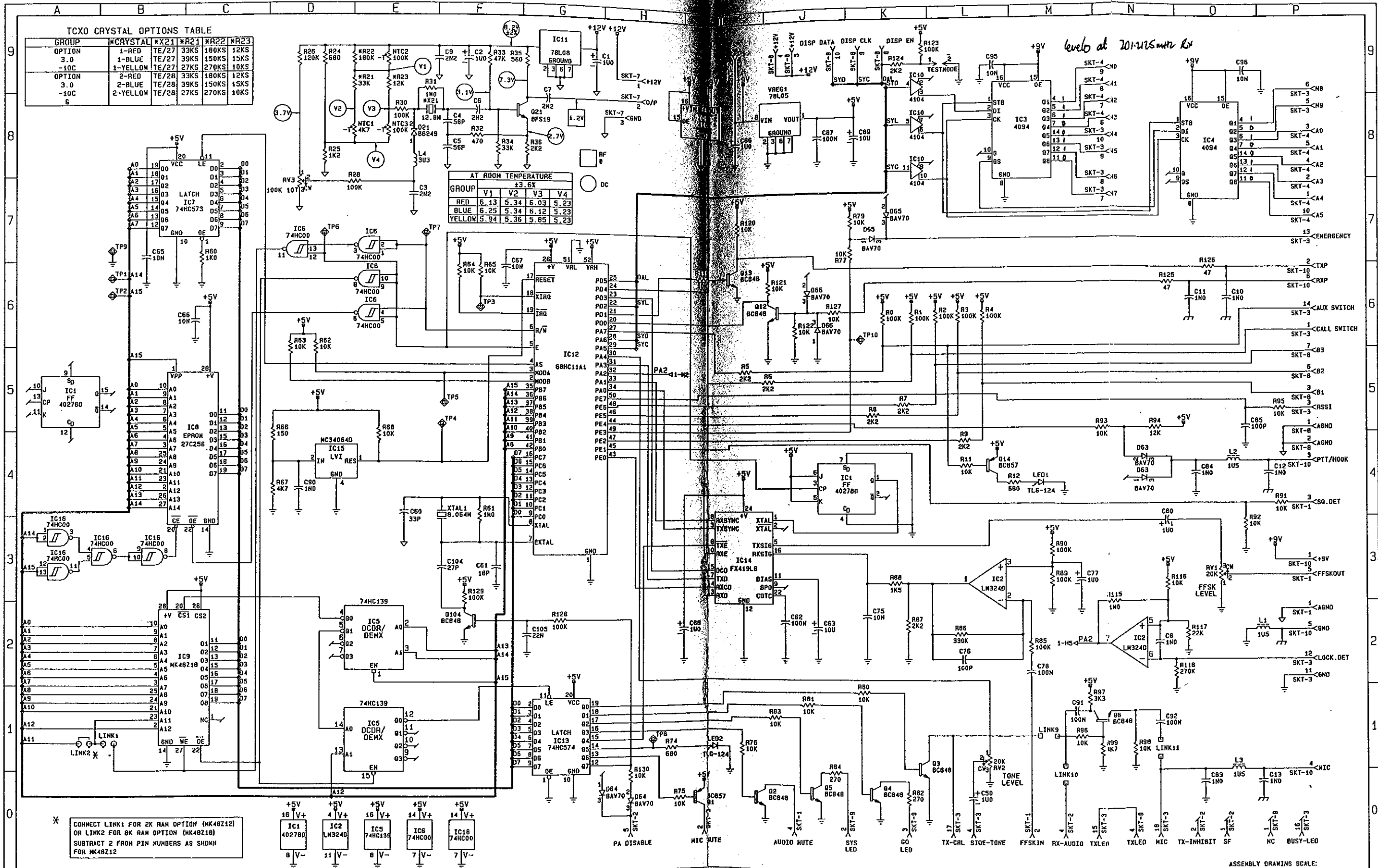


MURRAY 5TTR202 PLOT A 4.03.00 01/22/91 14:31:45



TCXO CRYSTAL OPTIONS TABLE

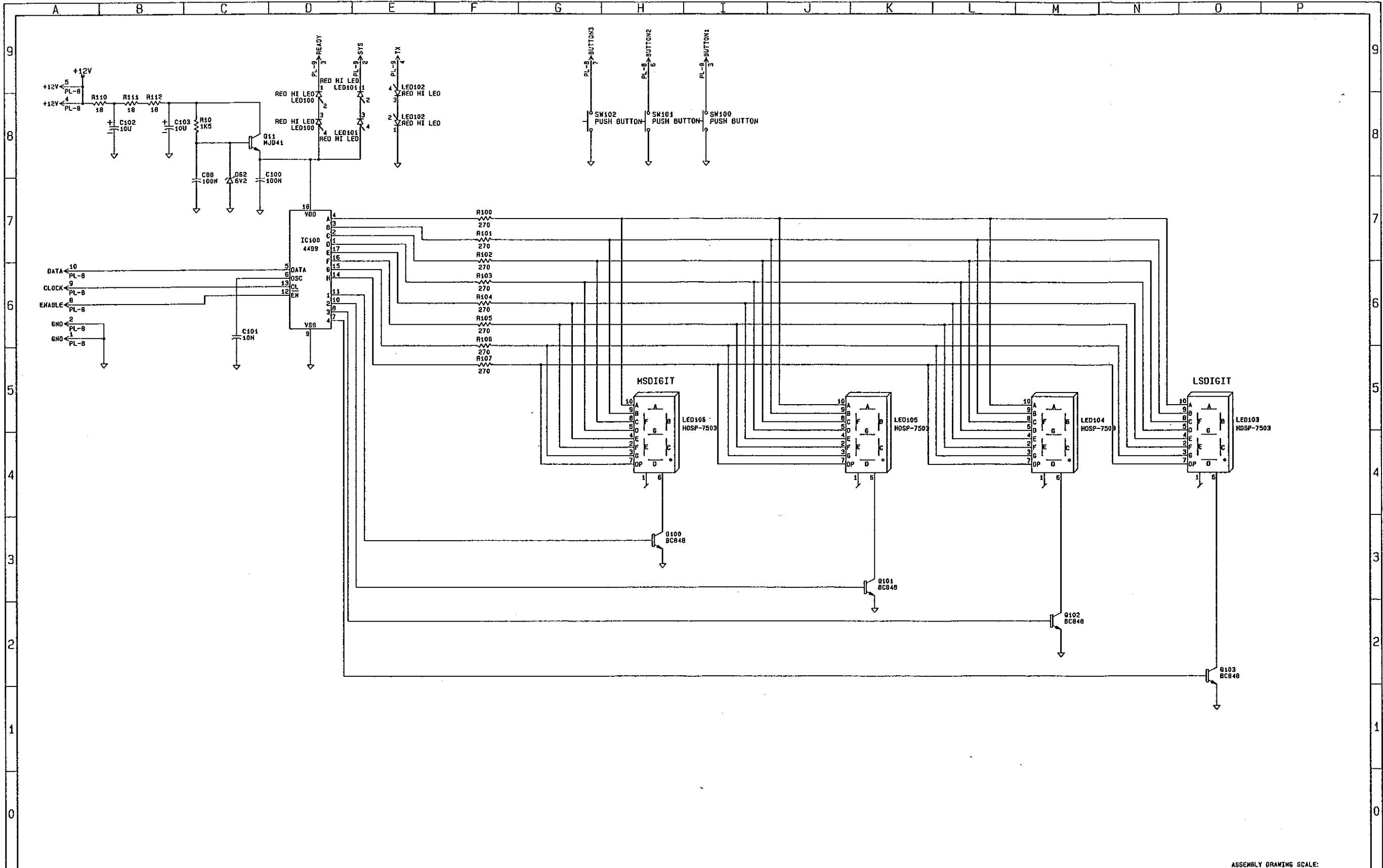
GROUP	CRYSTAL	X21	X22	X23
OPTION 3.0	1-BLUE	TE/27	33KS	180KS
-10C	1-YELLOW	TE/27	39KS	150KS
OPTION 3.0	2-BLUE	TE/28	39KS	180KS
-10C	2-YELLOW	TE/28	27KS	150KS

AT ROOM TEMPERATURE

GROUP	V1	V2	V3	V4
RED	6.13	5.34	6.03	5.23
BLUE	6.25	5.34	6.12	5.23
YELLOW	5.94	5.35	5.85	5.23

2A	C/N 91/01-03	M. HALL	M. LANE	M. LANE		TITLE	T500 TRUNKING CONTROL BOARD	TAIT ELECTRONICS NEW ZEALAND
1A/19	MARKS CHANGES / C/N 90/12-528	M. HALL	M. LANE	M. LANE	18/12/90	DRAWING NO:	C677	SHEET 1
9	C/N # 89/06 345 & 89/07 391	B. P.	M. LANE	M. LANE	12/08/89	IPN:	250-01163-02	OF 2
A	UPDATE FROM T59	B. P.	M. LANE	M. LANE	22/05/89	FILE NAME:	5TTR2A	ISSUE
PHOTO1	ORIGINAL	B. P.	M. LANE	M. LANE	31/01/89			2A
ISSUE:		DRAWN:	CHKD:	APVD:	DATE:			FILE DATE: 21/01/91

MURRAY 5TTTL203 PLOT A 4.03.00 01/22/91 14:31:56



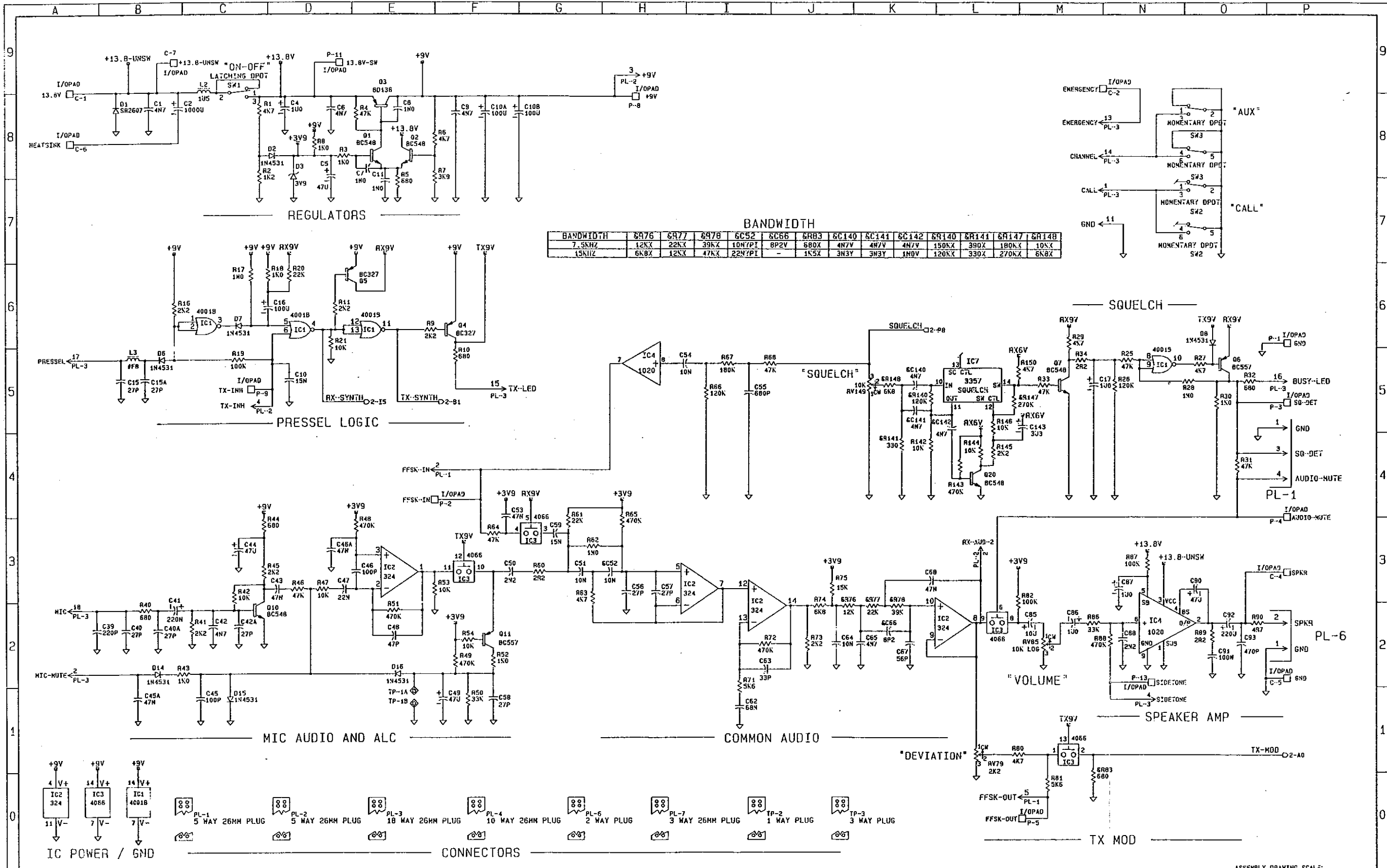
ASSEMBLY DRAWING SCALE:

2A	C/N 91/01-09	M. HALL	M. LANE	M. LANE	
1A/1B	MARKS CHANGES / C/N 90/12-82B	M. HALL	M. LANE	M. LANE	18/12/90
B	CH. # 89/06 346 & 89/07 391	B. P.	M. LANE	M. LANE	17/09/89
A	UPDATE FROM T99	B. P.	M. LANE	M. LANE	22/05/89
PROTO1	ORIGINAL	B. P.	M. LANE	M. LANE	31/01/89
ISSUE:	AMENDMENTS:	DRAWN:	CHKD:	APVD:	DATE:

TITLE
**T500 TRUNKING
 DISPLAY BOARD**

TAIT ELECTRONICS NEW ZEALAND
 DRAWING NO: C677 SHEET 2 OF 2 ISSUE 2A
 IPN: 220-01163-02
 FILE NAME: STTRL2A FILE DATE: 21/01/91

MURRAY 559LT903 PLOT A 4.03.00 03/25/91 18:11:43



ISSUE:				AMENDMENTS:				DRAWN:				CHKD:				APVD:				DATE:																											
T99 CHANGE NOTE 92/12-642				H.HALL																																											
P1 CLONED OFF 220-01112-01 A				O.FLOOR																																											
TITLE																T559																TAIT ELECTRONICS NEW ZEALAND															
DRAWING NO: C742																SHEET 1																ISSUE															
IPN: 220-01210-00																OF 2																T99															
FILE NAME: 559LT99																FILE DATE: 25/03/91																															

ASSEMBLY DRAWING SCALE:

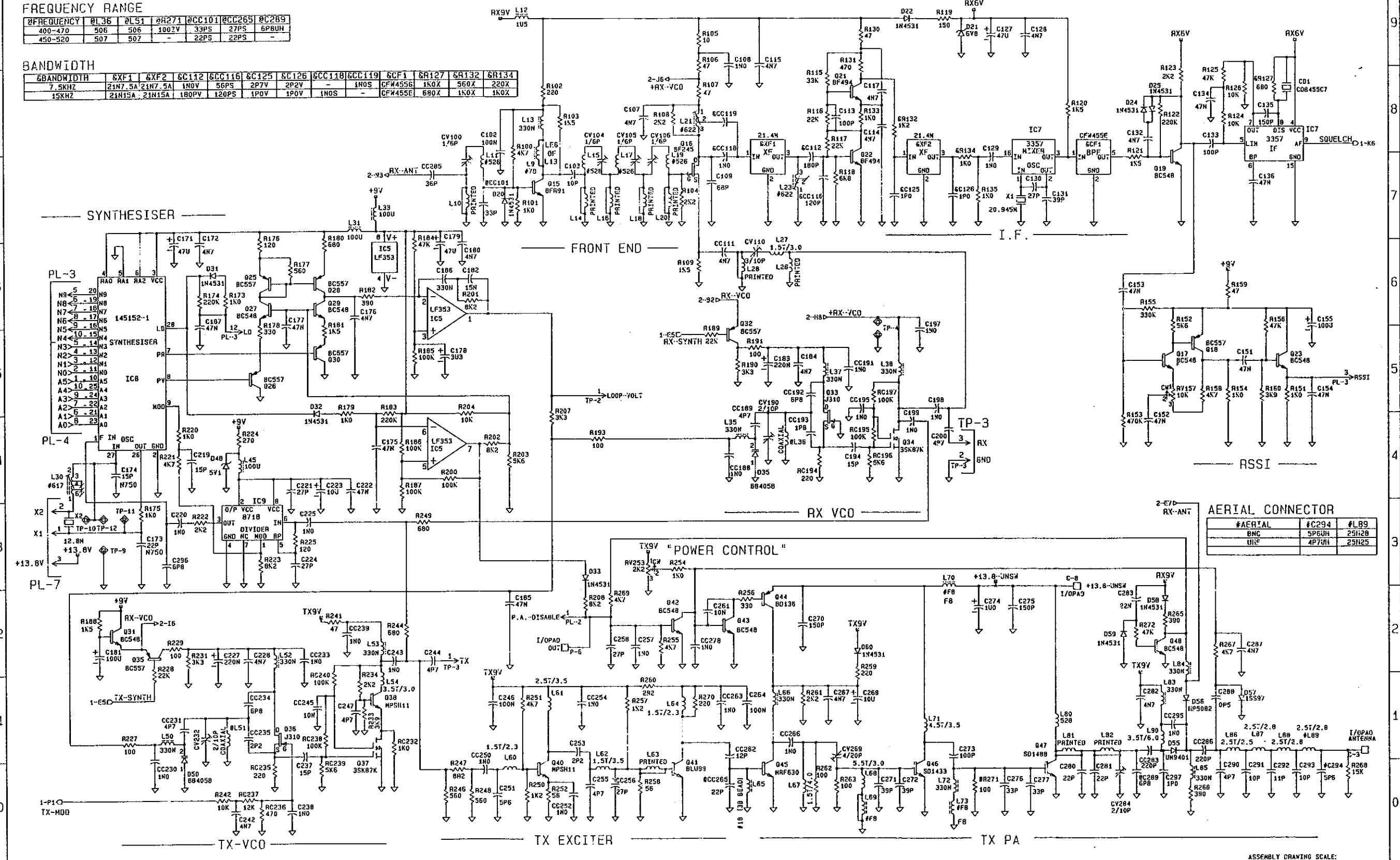
MURRAY 559LT904 PLOT A 4.03.00 03/25/91 18:11:50

FREQUENCY RANGE

#FREQUENCY	BL36	AL51	AL271	ACC101	ACC265	CC289
400-470	506	506	1002V	33PS	27PS	6PBUH
450-520	507	507	-	22PS	22PS	-

BANDWIDTH

#BANDWIDTH	EXF1	EXF2	GC112	GC116	GC125	GC126	GC118	GC119	GC1	GA127	GA132	GA134
7.5KHZ	21N7.5A	21N7.5A	1N0V	56PS	2P7V	2P2V	-	1N0S	CF#455E	1K0X	560X	220X
15KHZ	21N15A	21N15A	180PV	120PS	1P0V	1P0V	1N0S	-	CF#455E	680X	1K0X	1K0X



AERIAL CONNECTOR

#AERIAL	#C294	#L89
BNC	5P6UH	25H28
UHF	4P7UH	25H25

ASSEMBLY DRAWING SCALE:

<p>T99 CHANGE NOTE 90/12-5+2 P1 CLOINED OFF 220-01113-01 A</p>				<p>H. HALL O. ELDER</p>				<p>TITLE T559 TRANSMITTER AND RECEIVER</p>				<p>TAIT ELECTRONICS NEW ZEALAND DRAWING NO: C742 SHEET 2 OF 2 IPN: 220-01210-00 ISSUE T99 FILE NAME: 559LT99 FILE DATE: 25/03/91</p>			
AMENDMENTS:	DRAWN:	CHKD:	APVD:	DATE:											