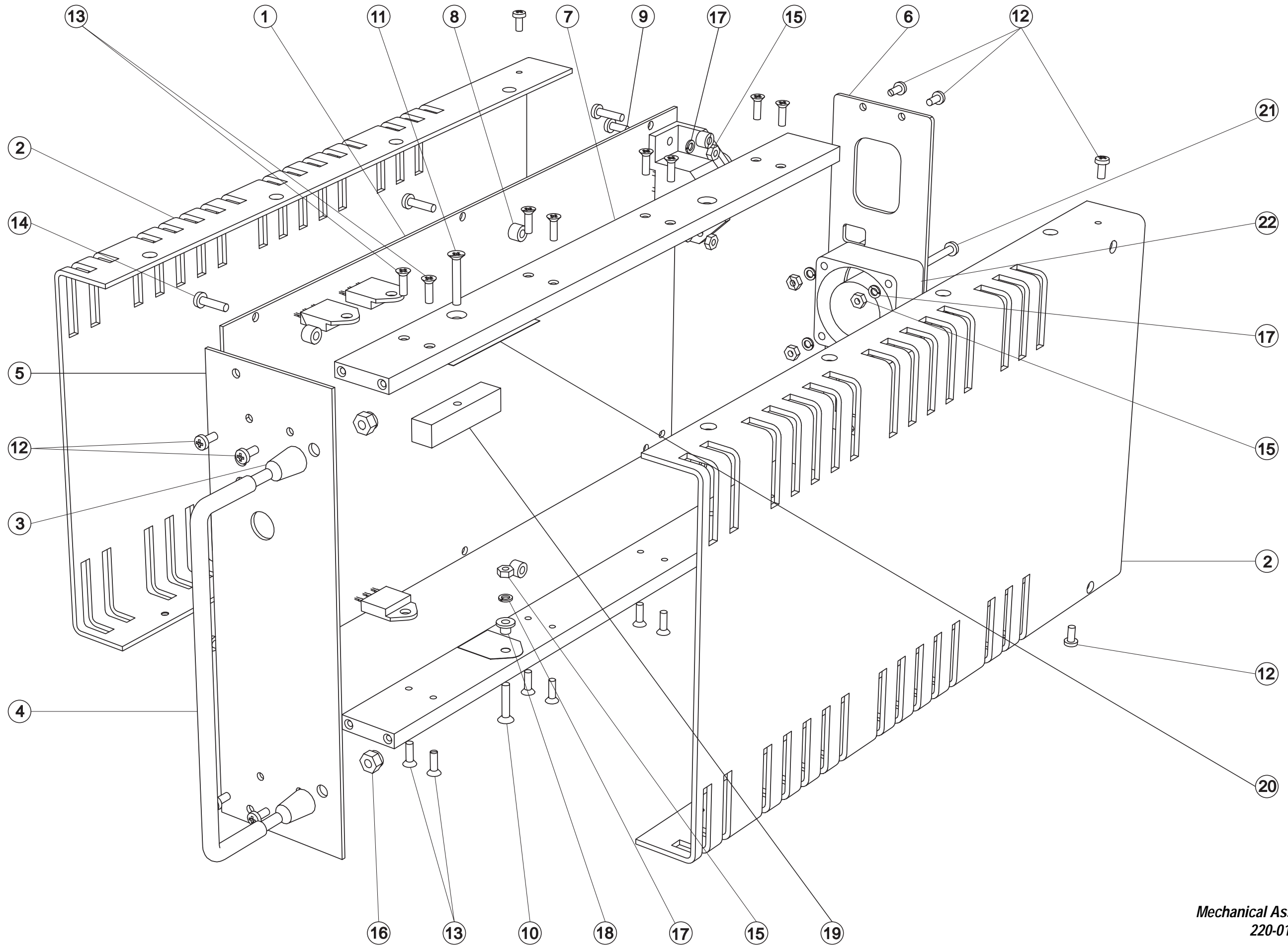
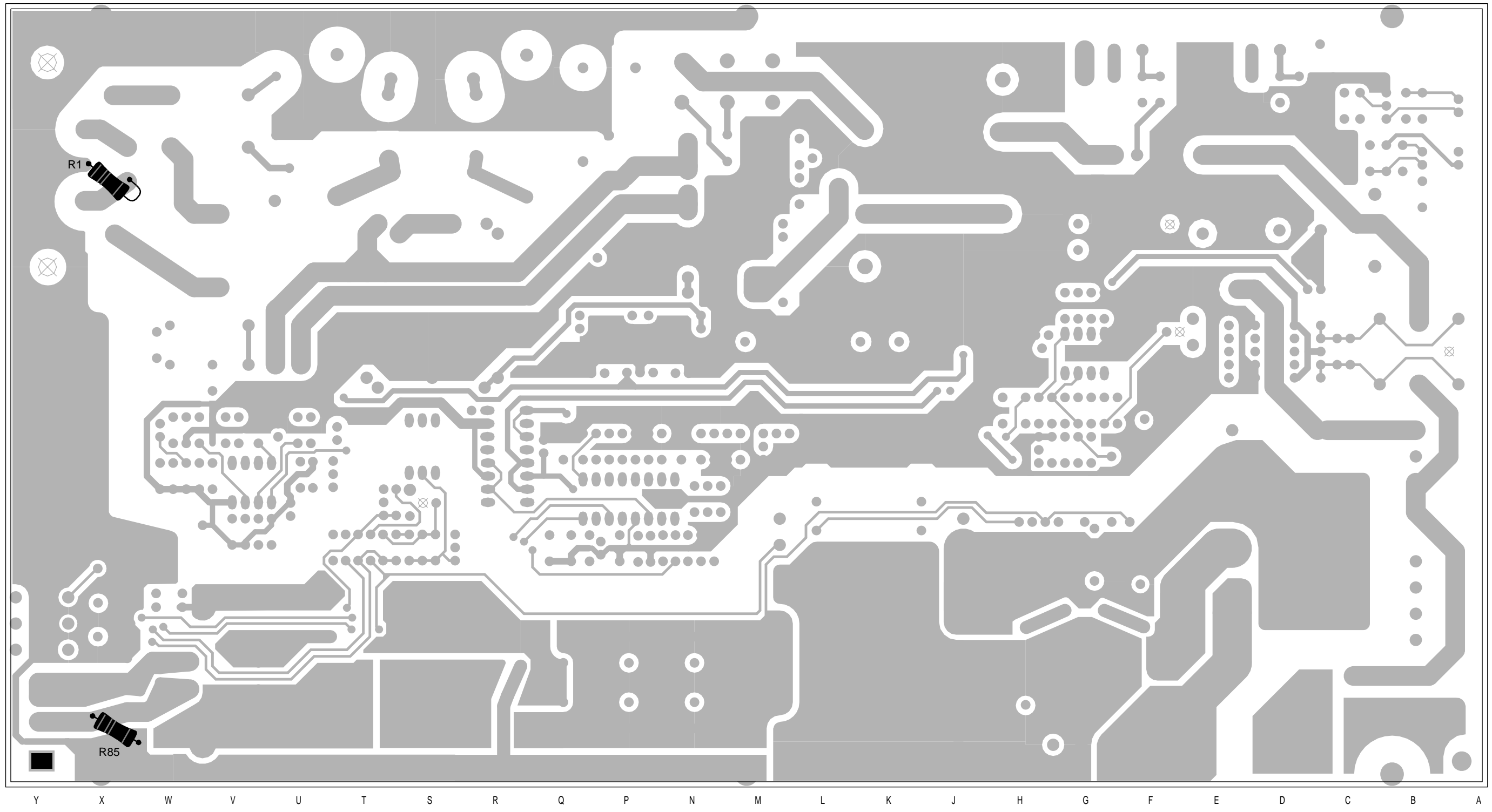


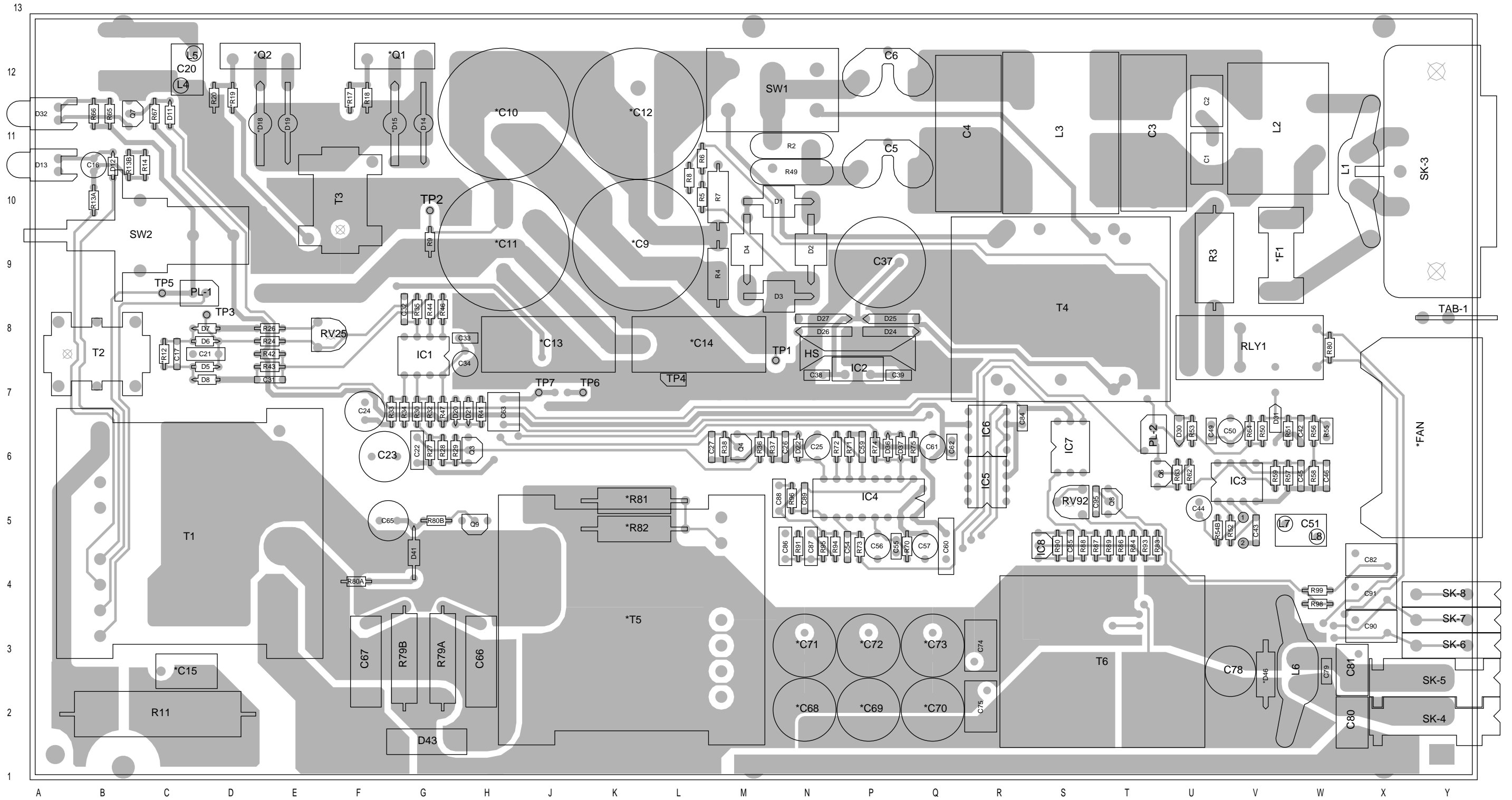
T807
Mechanical Assembly
220-01183-03



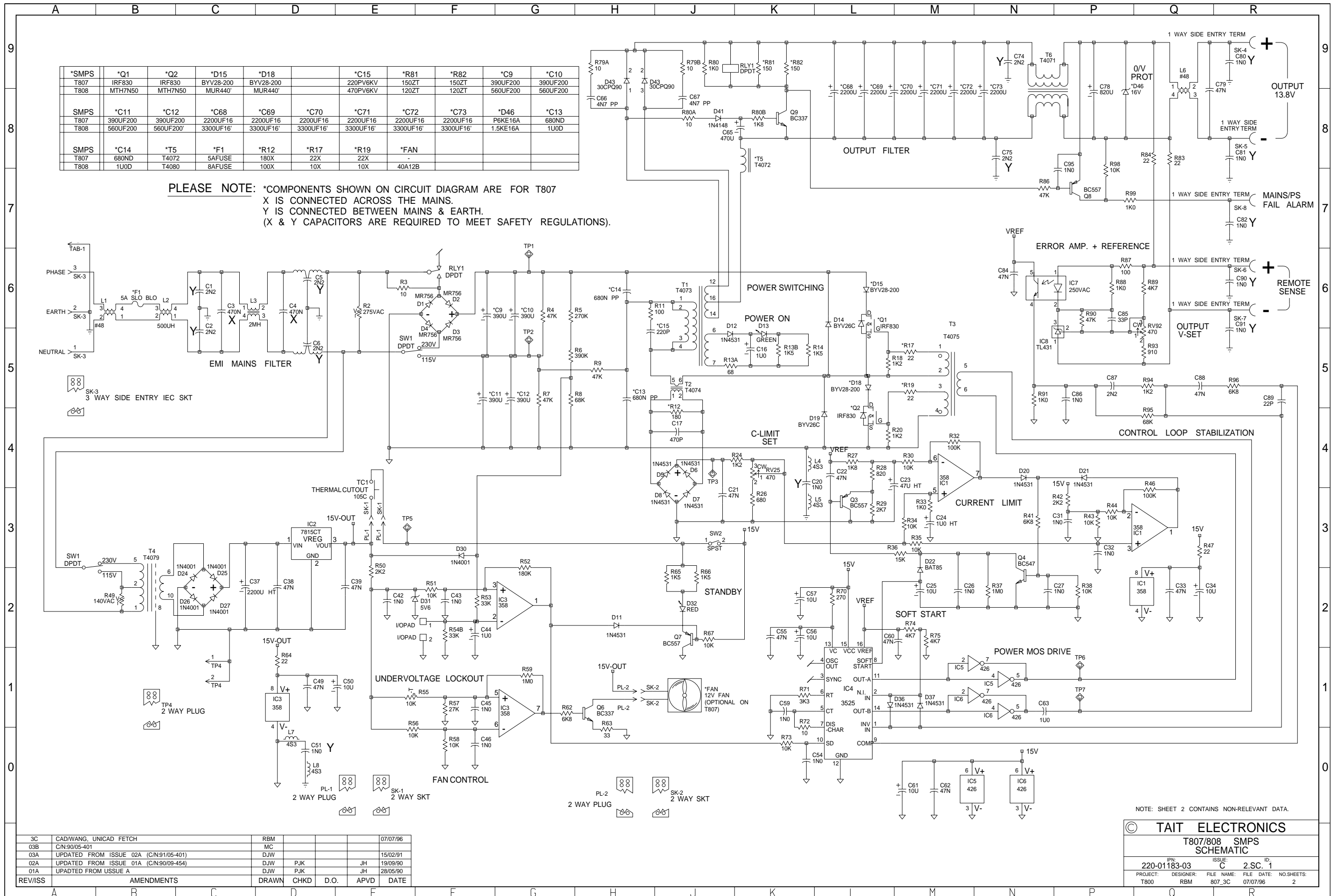
T808
Mechanical Assembly
220-01183-03



T807/808 PCB Layout
Bottom Side
220-01183-03



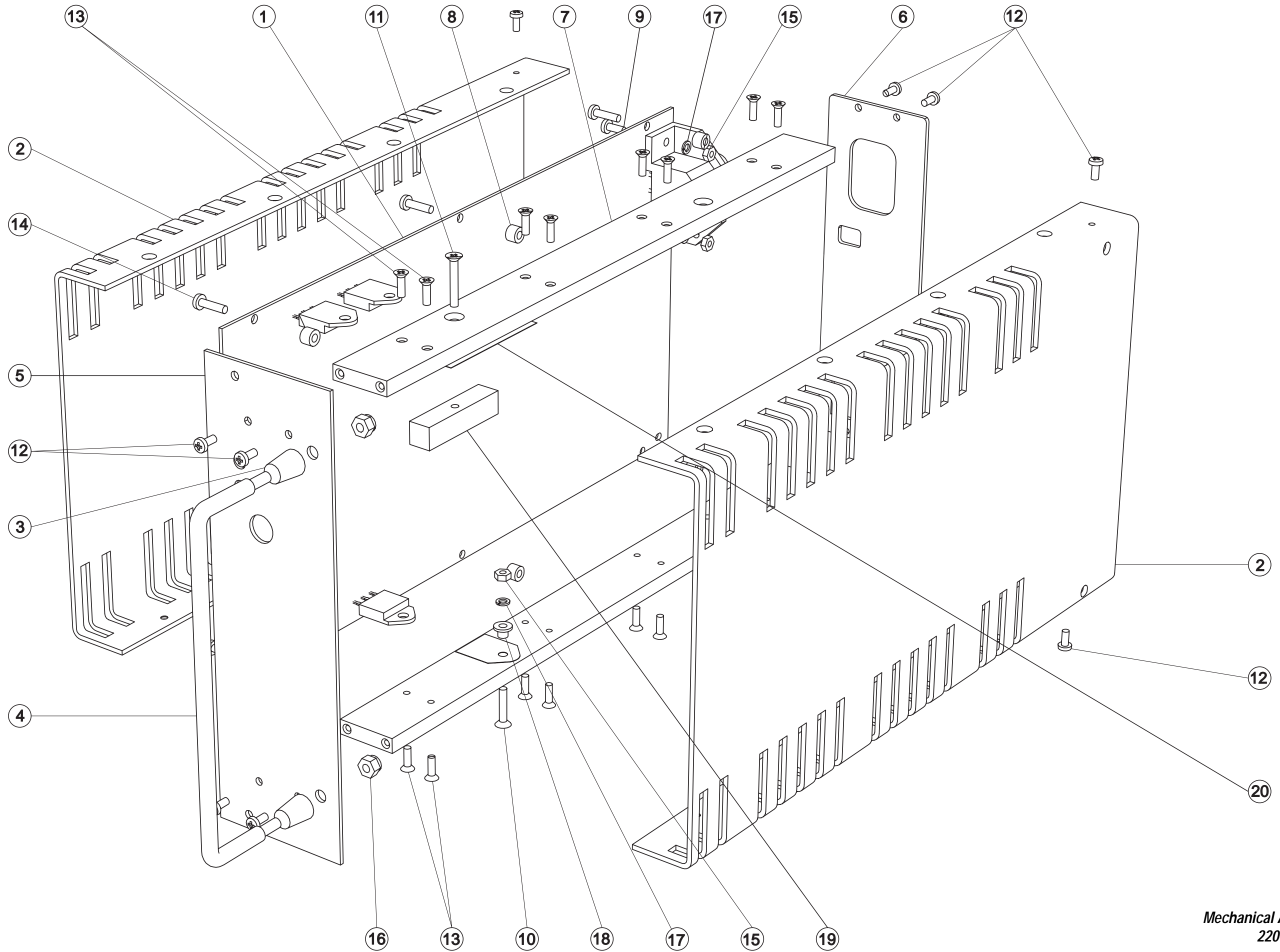
T807/808 PCB Layout
Top Side
220-01183-03



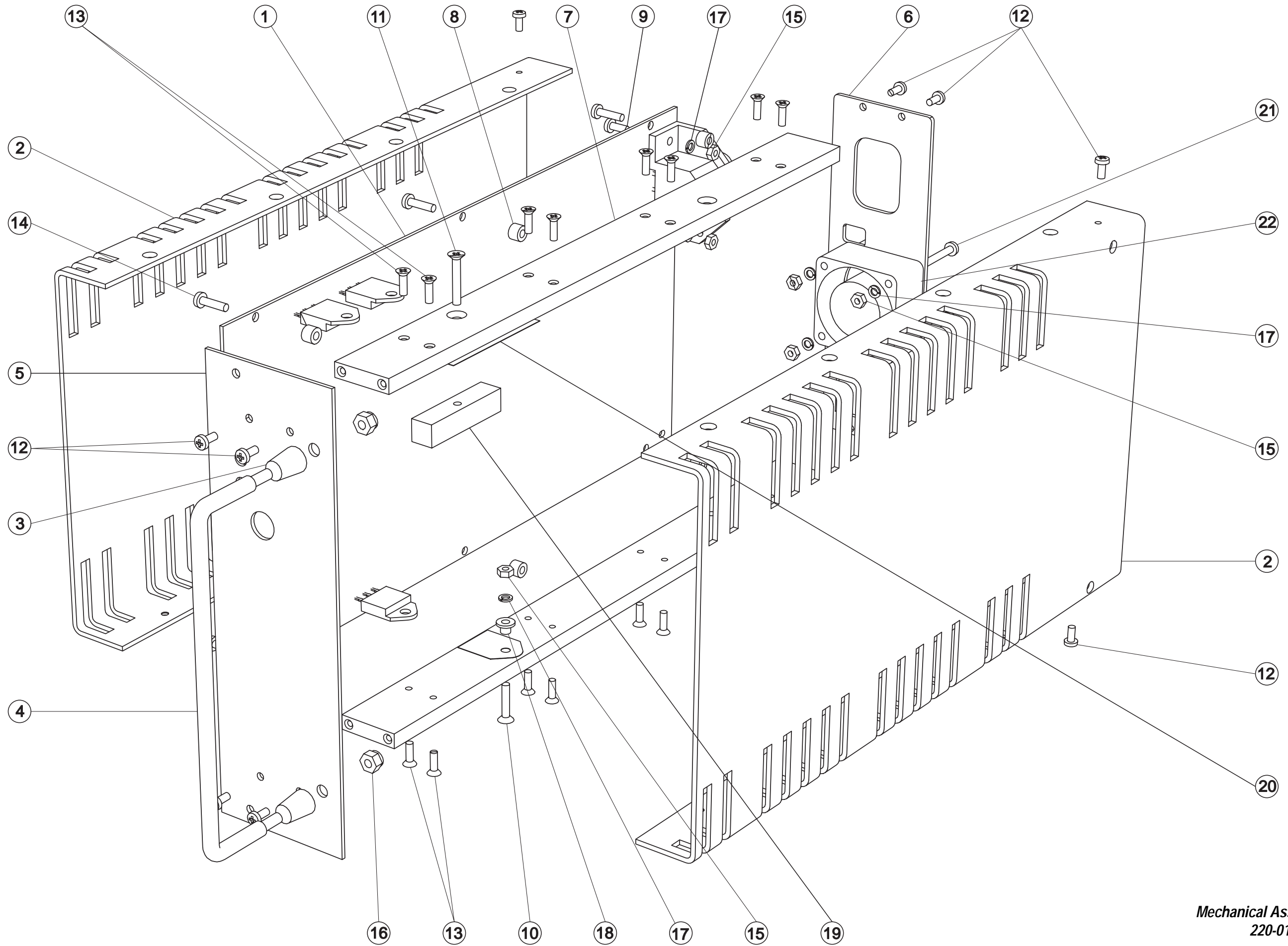
NOTE: SHEET 2 CONTAINS NON-RELEVANT DATA.

© TAIT ELECTRONICS			
T807/808 SMPS SCHEMATIC			
REV: 220-01183-03	ISSUE: C	2.S.C. 1	ID: 1
PROJECT: T800	DESIGNER: RBM	FILE NAME: 807_3C	FILE DATE: 07/07/96
			NO. SHEETS: 2

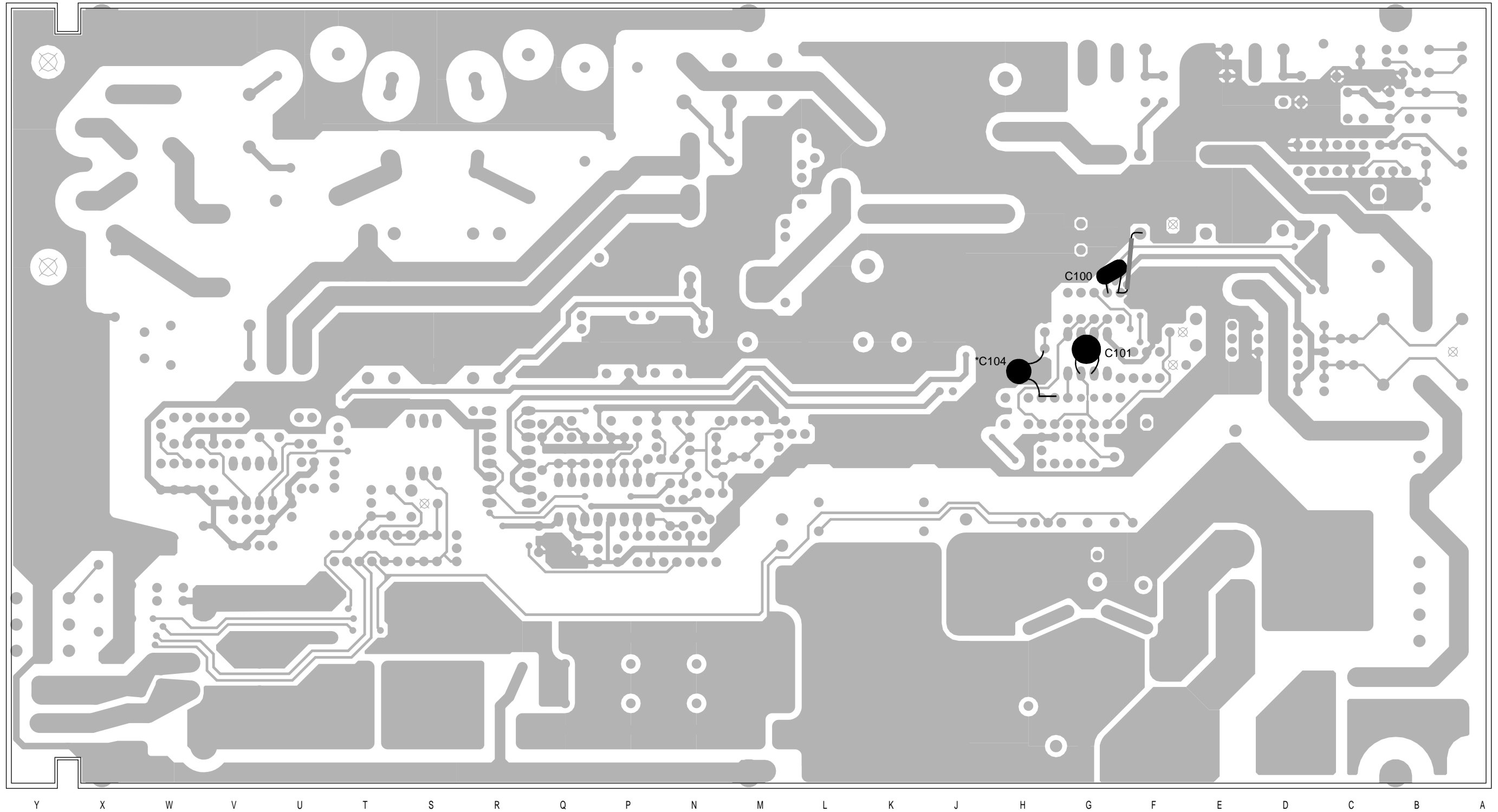
3C	CAD/WANG, UNICAD FETCH	RBM			07/07/96
03B	C/N-90/05-401	MC			
03A	UPDATED FROM ISSUE 02A (C/N-91/05-401)	DJW			15/02/91
02A	UPDATED FROM ISSUE 01A (C/N-90/09-454)	DJW	PJK	JH	19/09/90
01A	UPADTED FROM USSUE A	DJW	PJK	JH	28/05/90
REV/ISS	AMENDMENTS	DRAWN	CHKD	D.O.	APVD DATE



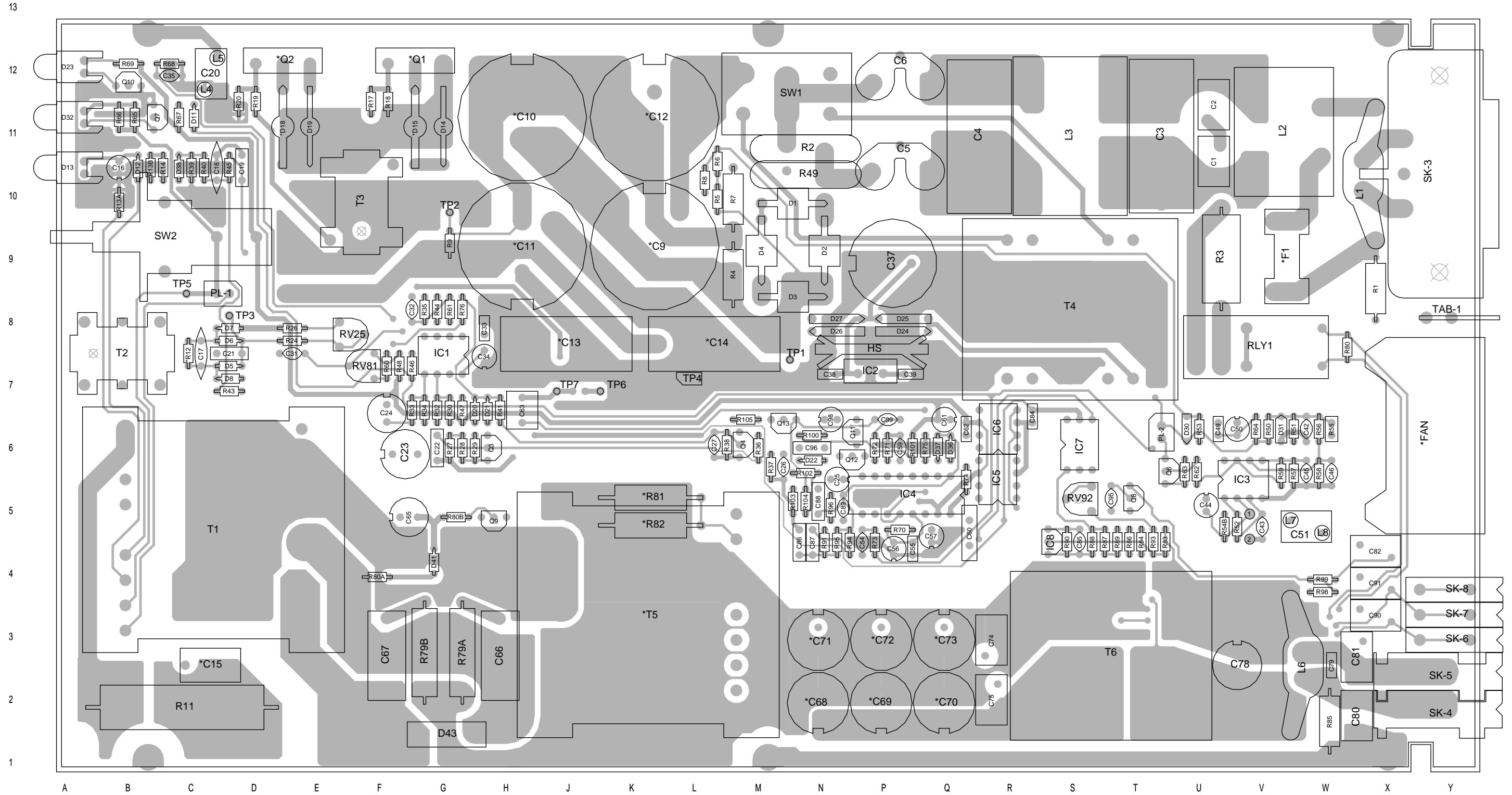
T807
Mechanical Assembly
220-01183-05



T808
Mechanical Assembly
220-01183-05



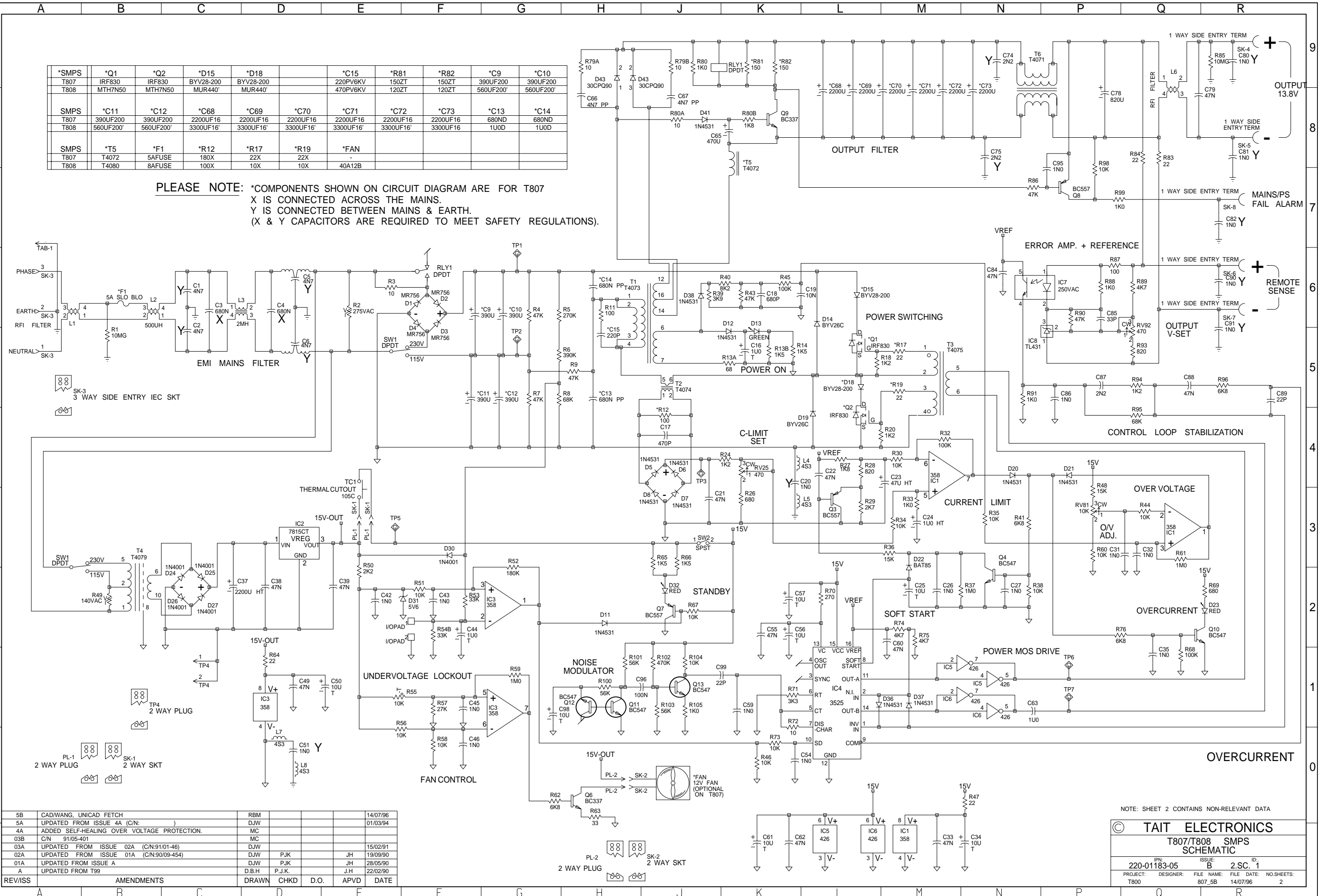
T807/808 PCB Layout
Bottom Side
220-01183-05



T807/808 PCB Layout
Top Side
220-01183-05

*SMPS	*Q1	*Q2	*D15	*D18	*C15	*R81	*R82	*C9	*C10	
T807	IRF830	IRF830	BYV28-200	BYV28-200	220PV6KV	150ZT	150ZT	390UF200	390UF200	
T808	MTH7N50	MTH7N50	MUR440	MUR440	470PV6KV	120ZT	120ZT	560UF200	560UF200	
SMPS	*C11	*C12	*C68	*C69	*C70	*C71	*C72	*C73	*C13	*C14
T807	390UF200	390UF200	2200UF16	2200UF16	2200UF16	2200UF16	2200UF16	2200UF16	680ND	680ND
T808	560UF200	560UF200	3300UF16	3300UF16	3300UF16	3300UF16	3300UF16	3300UF16	1UOD	1UOD
SMPS	*T5	*F1	*R12	*R17	*R19	*FAN				
T807	T4072	5AFUSE	180X	22X	22X					
T808	T4080	8AFUSE	100X	10X	10X	40A12B				

PLEASE NOTE: *COMPONENTS SHOWN ON CIRCUIT DIAGRAM ARE FOR T807
 X IS CONNECTED ACROSS THE MAINS.
 Y IS CONNECTED BETWEEN MAINS & EARTH.
 (X & Y CAPACITORS ARE REQUIRED TO MEET SAFETY REGULATIONS).



5B	CAD/WANG, UNICAD FETCH	RBM			14/07/96	
5A	UPDATED FROM ISSUE 4A (C/N:)	DJW			01/03/94	
4A	ADDED SELF-HEALING OVER VOLTAGE PROTECTION.	MC				
03B	C/N 91/05-401	MC				
03A	UPDATED FROM ISSUE 02A (C/N:91/01-46)	DJW			15/02/91	
02A	UPDATED FROM ISSUE 01A (C/N:90/09-454)	DJW	PJK	JH	19/09/90	
01A	UPDATED FROM ISSUE A	DJW	PJK	JH	28/05/90	
A	UPDATED FROM T99	D.B.H	P.J.K.	J.H	22/02/90	
REV/ISS	AMENDMENTS	DRAWN	CHKD	D.O.	APVD	DATE

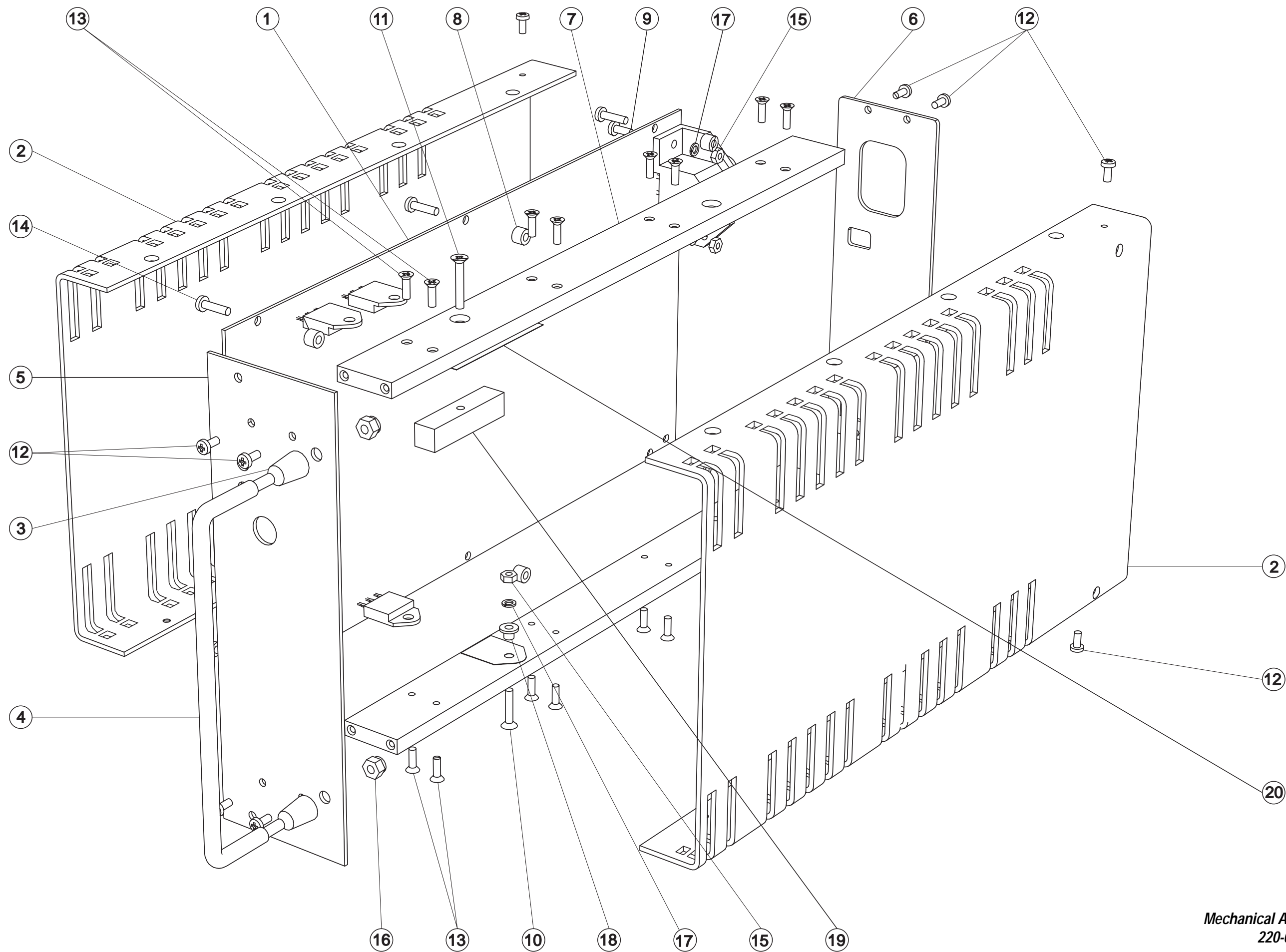
NOTE: SHEET 2 CONTAINS NON-RELEVANT DATA

TAIT ELECTRONICS

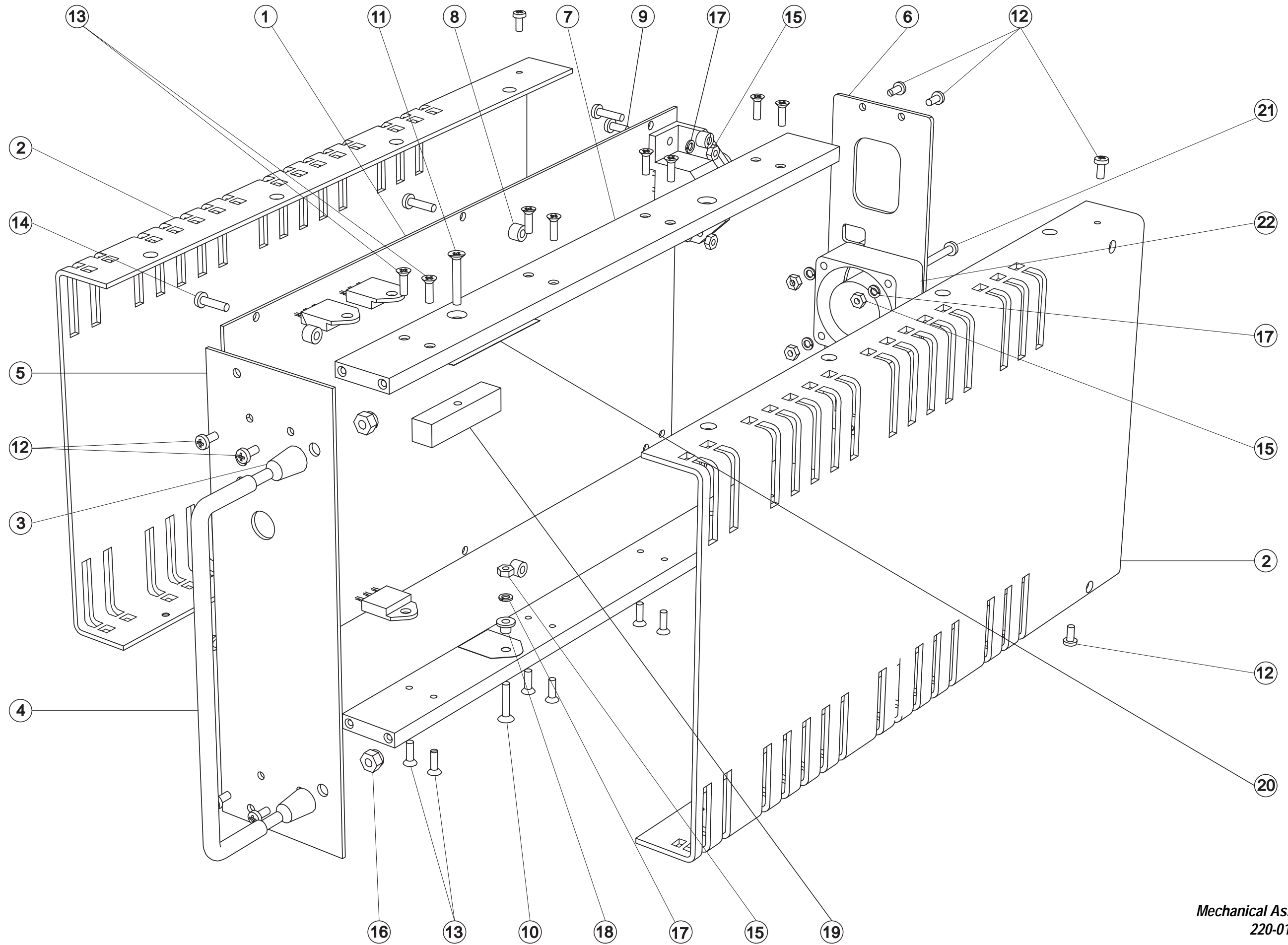
T807/T808 SMPS SCHEMATIC

ISSUE: B 2.S.C. 1

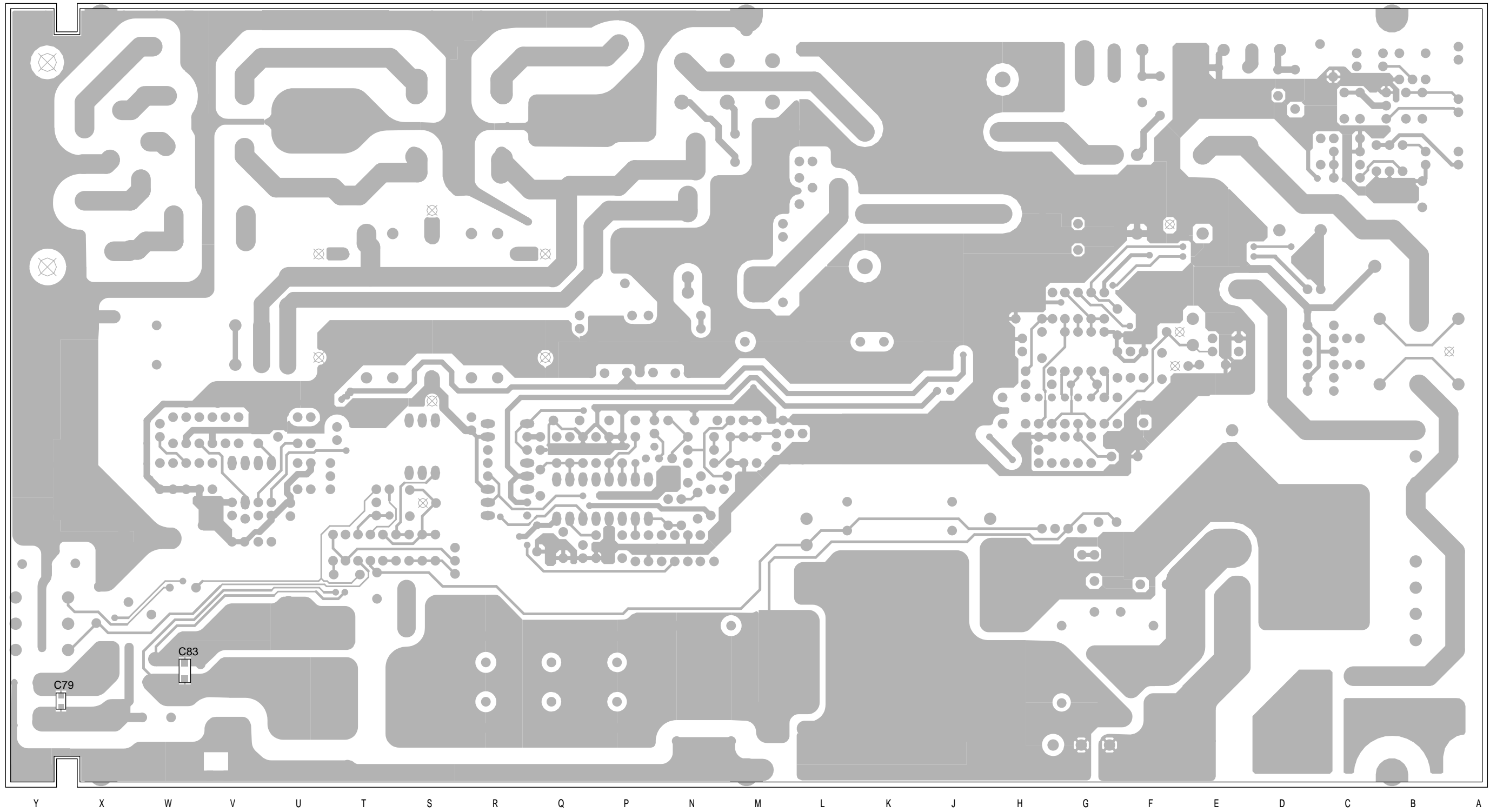
PROJECT: T800 DESIGNER: 807_SB FILE DATE: 14/07/96 NO.SHEETS: 2



T807
Mechanical Assembly
220-01183-07



T808
Mechanical Assembly
220-01183-07



T807/808 PCB Layout
Bottom Side
220-01183-07

13

12

11

10

9

8

7

6

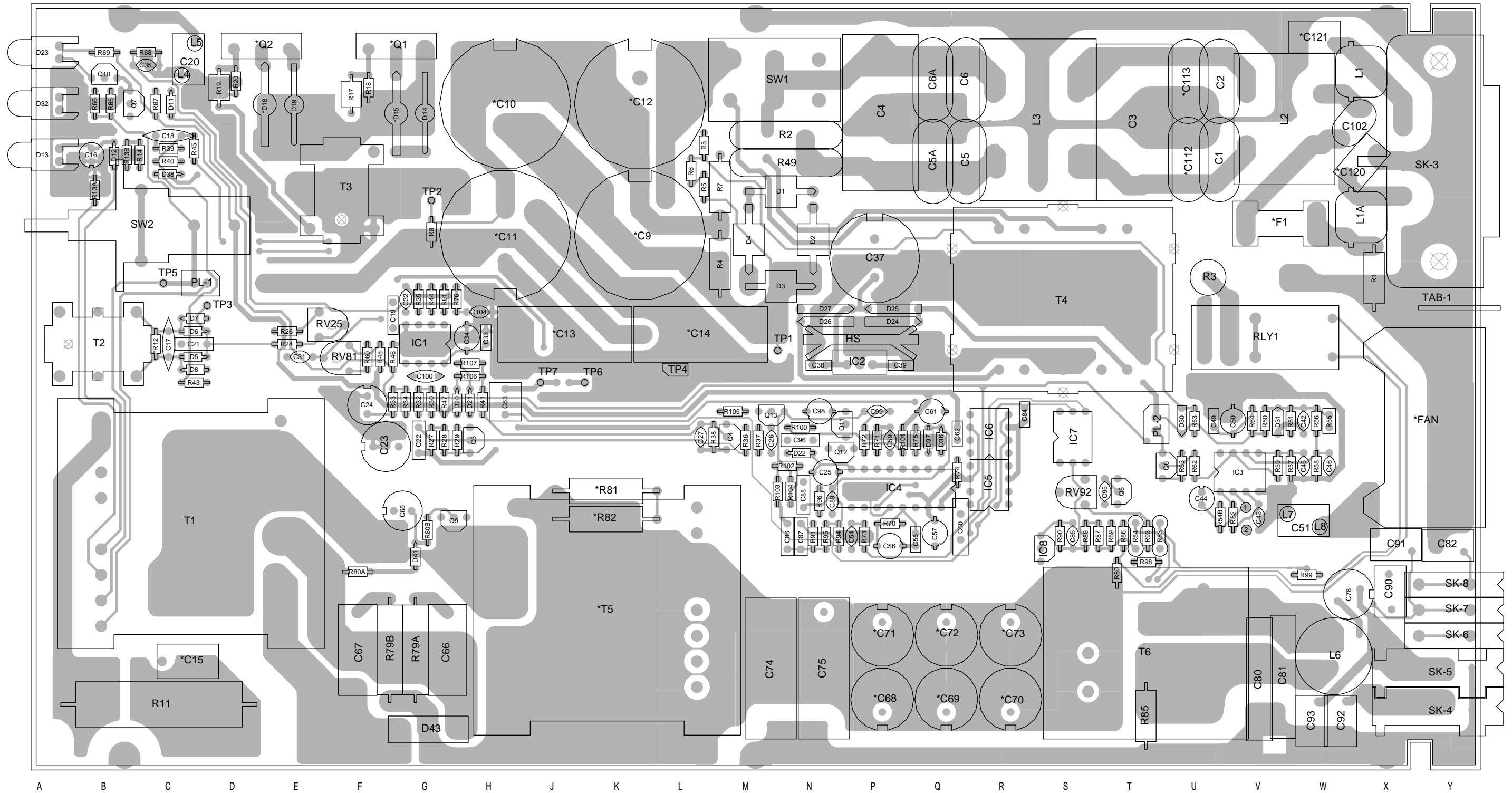
5

4

3

2

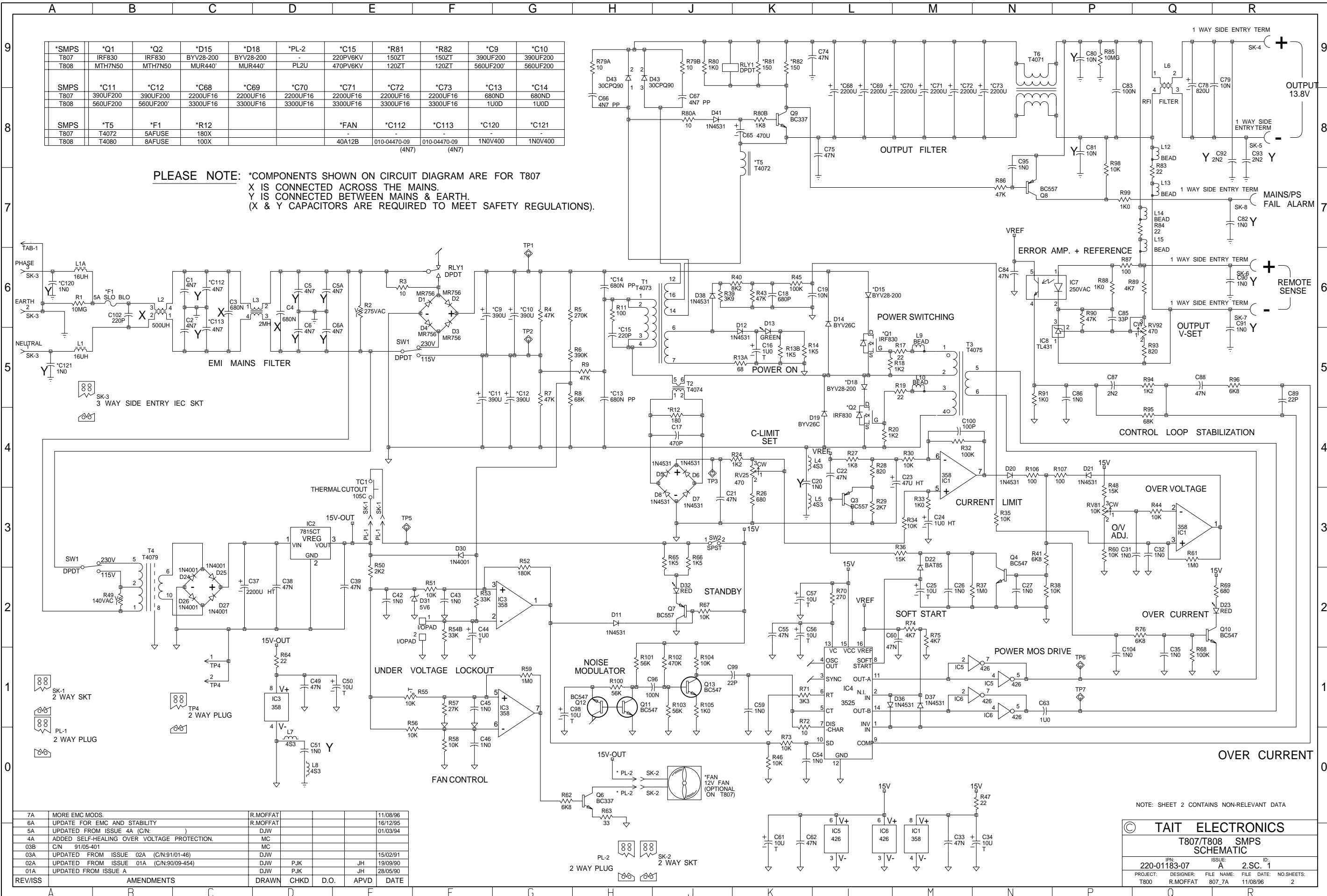
1



T807/808 PCB Layout
Top Side
220-01183-07

*SMPS	*Q1	*Q2	*D15	*D18	*PL-2	*C15	*R81	*R82	*C9	*C10
T807	IRF830	IRF830	BYV28-200	BYV28-200	-	220PV6KV	150ZT	150ZT	390UF200	390UF200
T808	MTH7N50	MTH7N50	MUR440	MUR440	PL2U	470PV6KV	120ZT	120ZT	560UF200	560UF200
SMPS	*C11	*C12	*C68	*C69	*C70	*C71	*C72	*C73	*C13	*C14
T807	390UF200	390UF200	2200UF16	2200UF16	2200UF16	2200UF16	2200UF16	2200UF16	680ND	680ND
T808	560UF200	560UF200	3300UF16	3300UF16	3300UF16	3300UF16	3300UF16	3300UF16	1UOD	1UOD
SMPS	*T5	*F1	*R12			*FAN	*C112	*C113	*C120	*C121
T807	T4072	5AFUSE	180X							
T808	T4080	8AFUSE	100X			40A12B	010-04470-09 (4N7)	010-04470-09 (4N7)	1N0V400	1N0V400

PLEASE NOTE: *COMPONENTS SHOWN ON CIRCUIT DIAGRAM ARE FOR T807
 X IS CONNECTED ACROSS THE MAINS.
 Y IS CONNECTED BETWEEN MAINS & EARTH.
 (X & Y CAPACITORS ARE REQUIRED TO MEET SAFETY REGULATIONS).



7A	MORE EMC MODS.	R.MOFFAT		11/08/96
6A	UPDATE FOR EMC AND STABILITY	R.MOFFAT		16/12/95
5A	UPDATED FROM ISSUE 4A (C/N:)	DJW		01/03/94
4A	ADDED SELF-HEALING OVER VOLTAGE PROTECTION.	MC		
03B	C/N 91/05-401	MC		
03A	UPDATED FROM ISSUE 02A (C/N:91/01-46)	DJW		15/02/91
02A	UPDATED FROM ISSUE 01A (C/N:90/09-454)	DJW	PJK	19/09/90
01A	UPDATED FROM ISSUE A	DJW	PJK	28/05/90
REV/ISS	AMENDMENTS	DRAWN	CHKD	D.O. APVD DATE

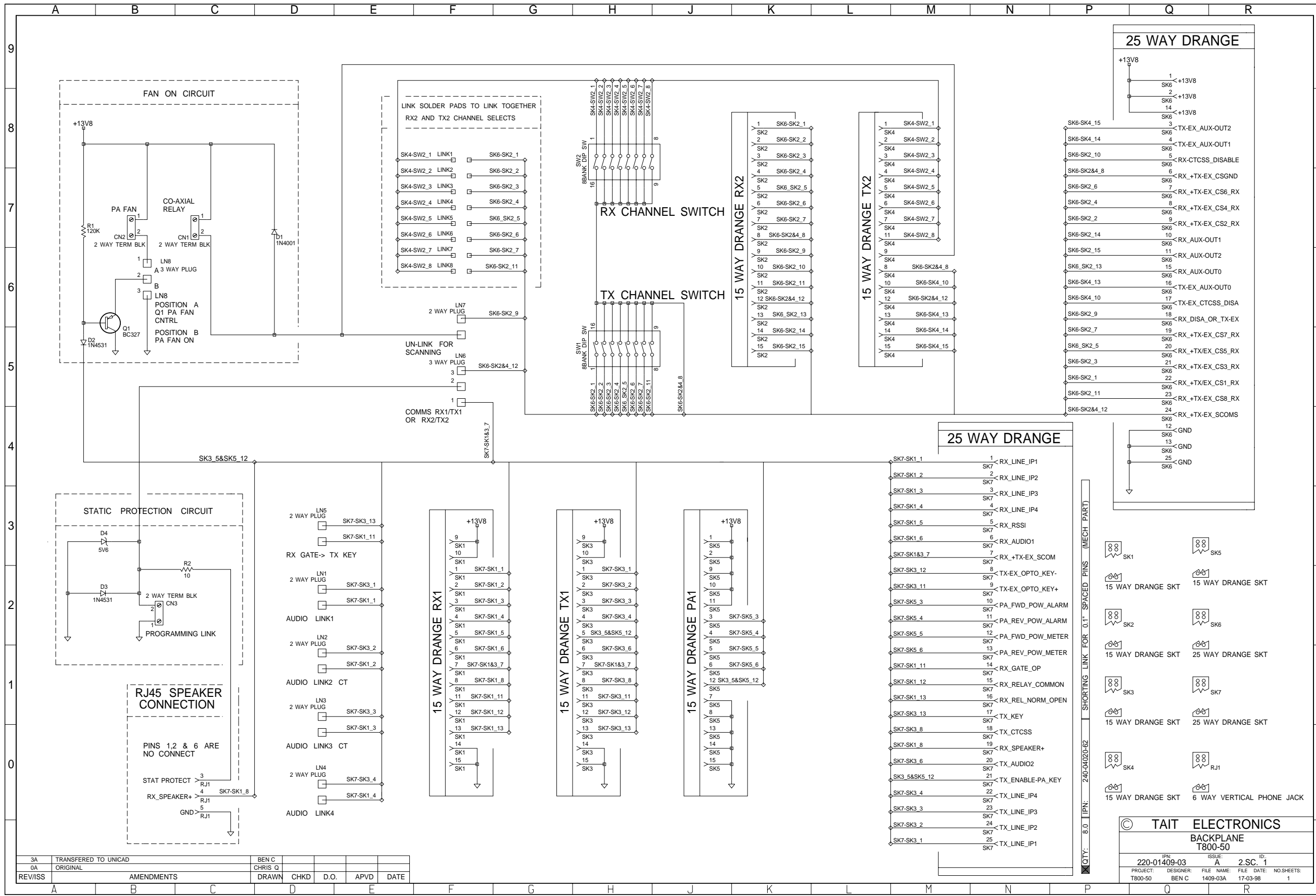
NOTE: SHEET 2 CONTAINS NON-RELEVANT DATA

TAIT ELECTRONICS

T807/T808 SMPS SCHEMATIC

ISSUE: 2.SC.1

PROJECT: T800 DESIGNER: R.MOFFAT FILE NAME: 807_7A DATE: 11/08/96 NO.SHEETS: 2

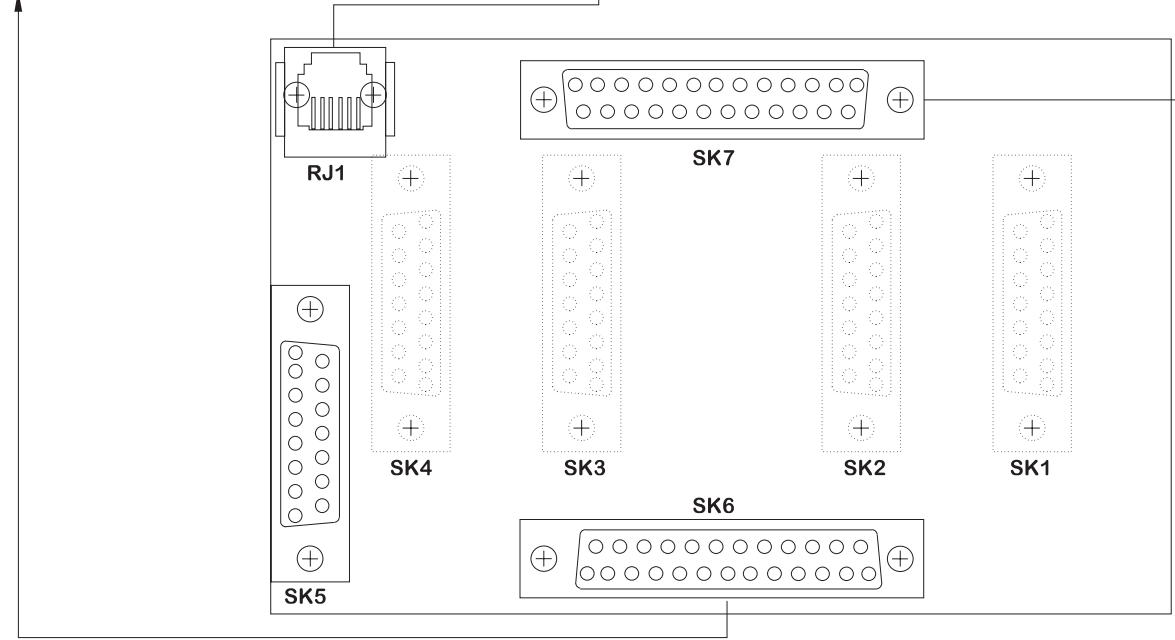
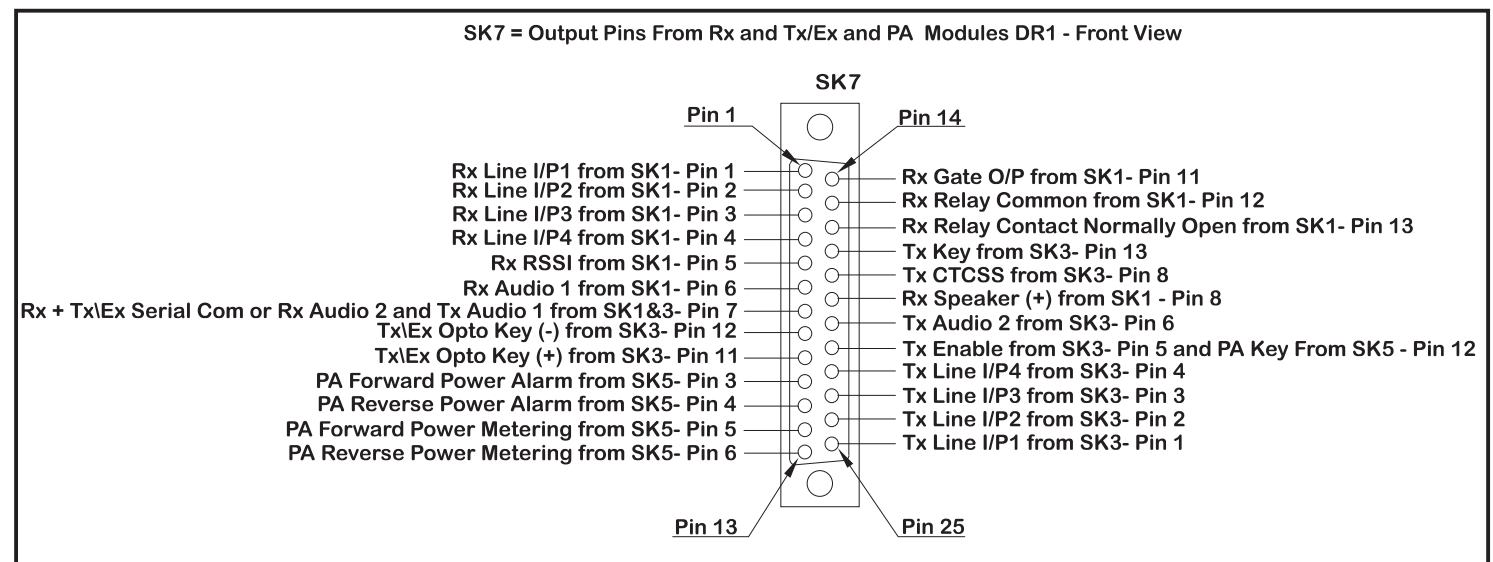
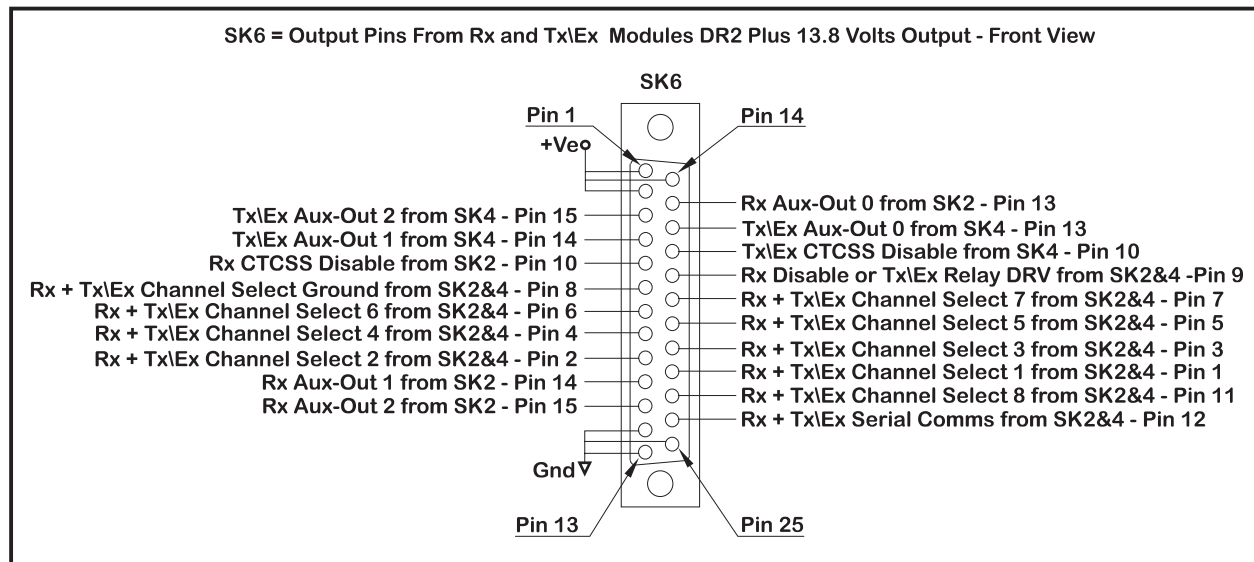
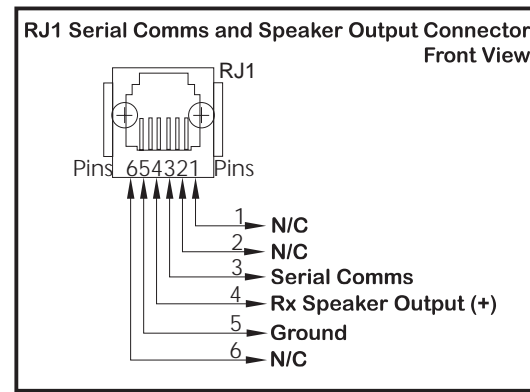


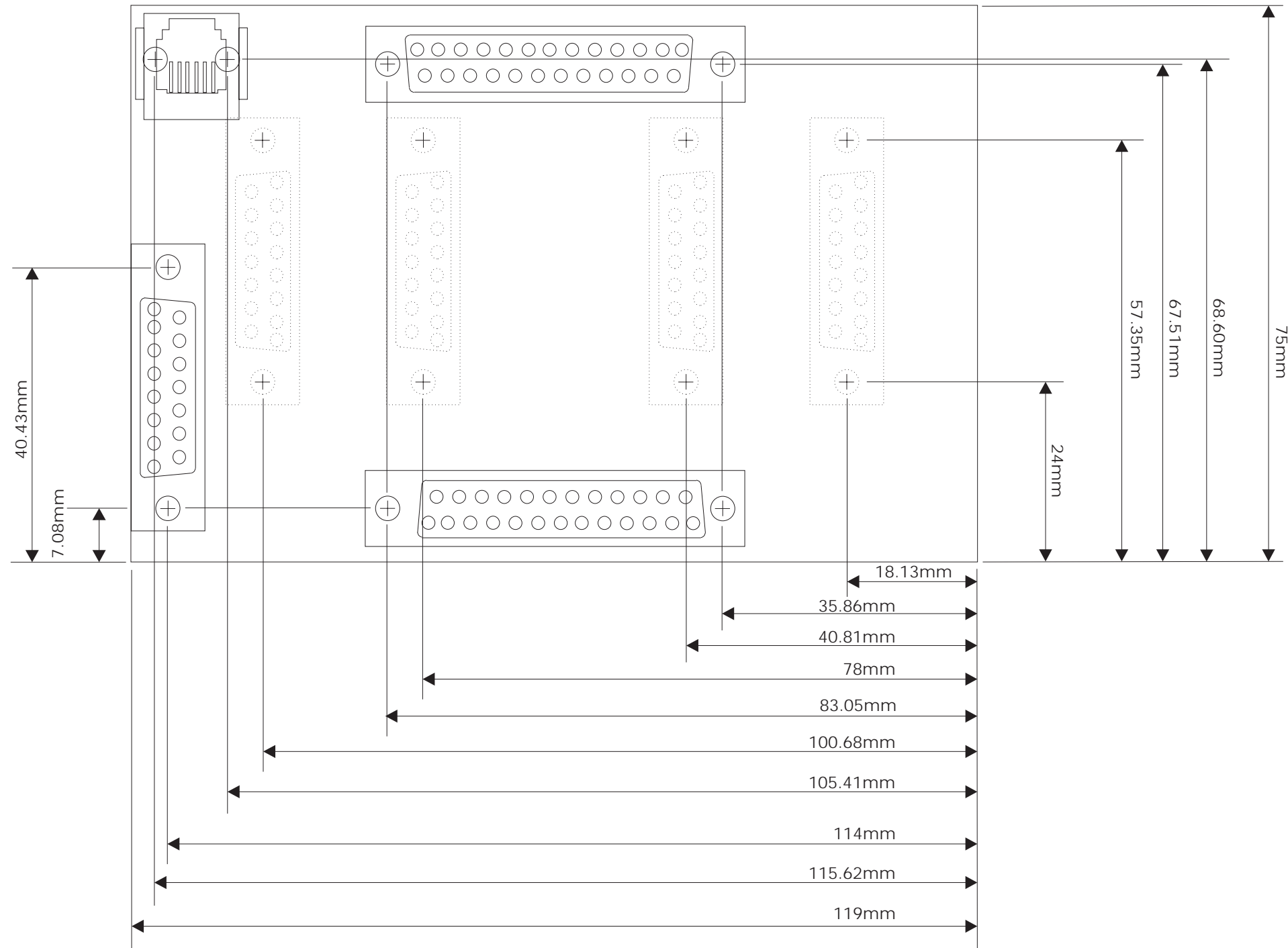
3A	TRANSFERRED TO UNICAD	BEN C				
0A	ORIGINAL	CHRIS Q				
REV/ISS	AMENDMENTS	DRAWN	CHKD	D.O.	APVD	DATE

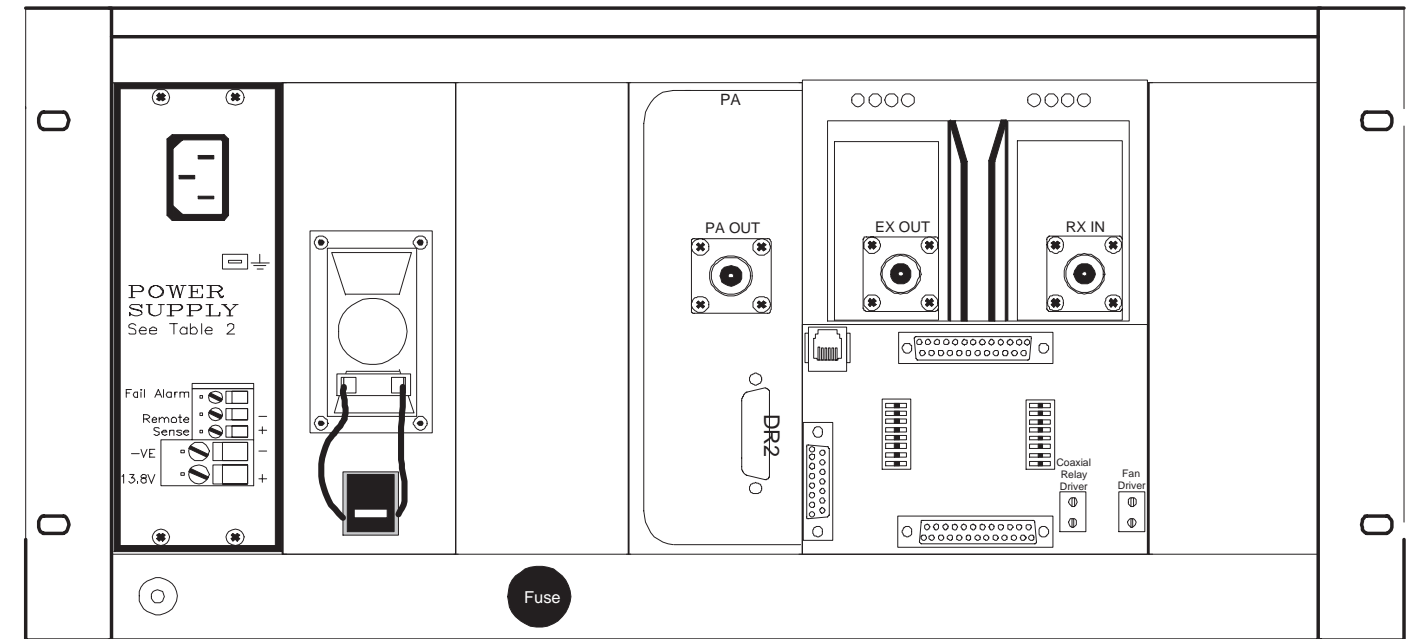
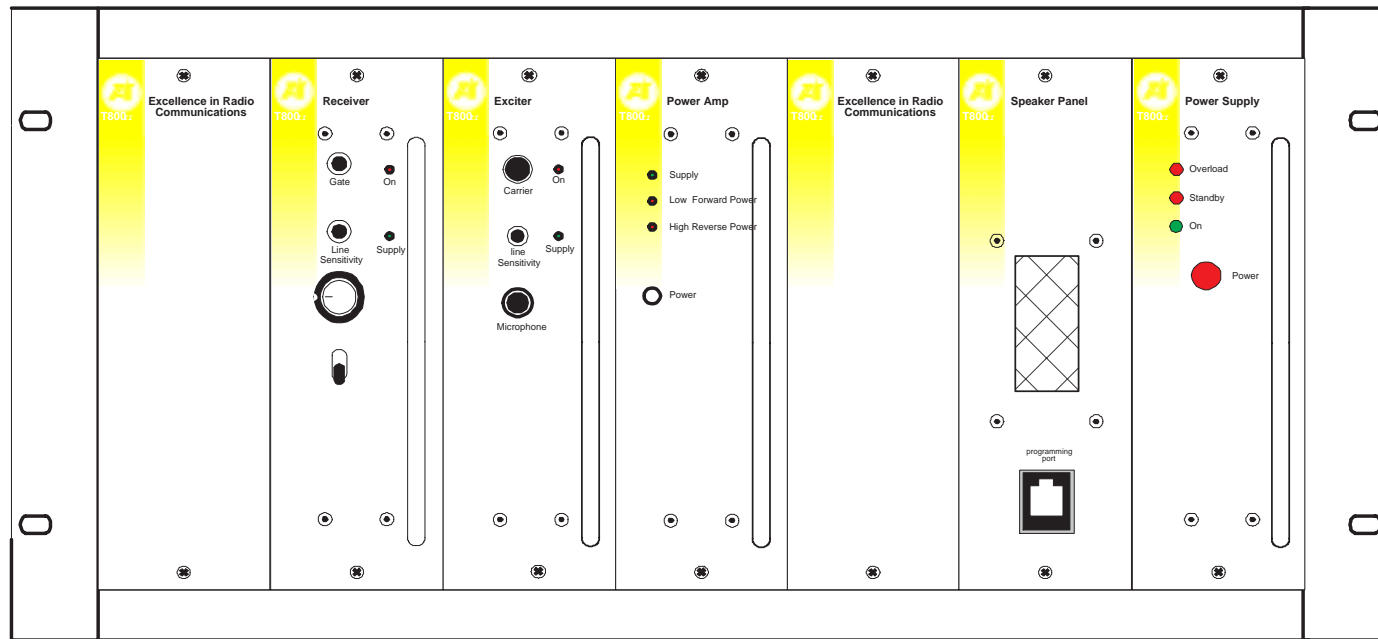
TAIT ELECTRONICS
 BACKPLANE
 T800-50

IPN: 220-01409-03
 ISSUE: A
 2.S.C. 1

PROJECT: T800-50
 DESIGNER: BEN C
 FILE NAME: 1409-03A
 FILE DATE: 17-03-98
 NO. SHEETS: 1





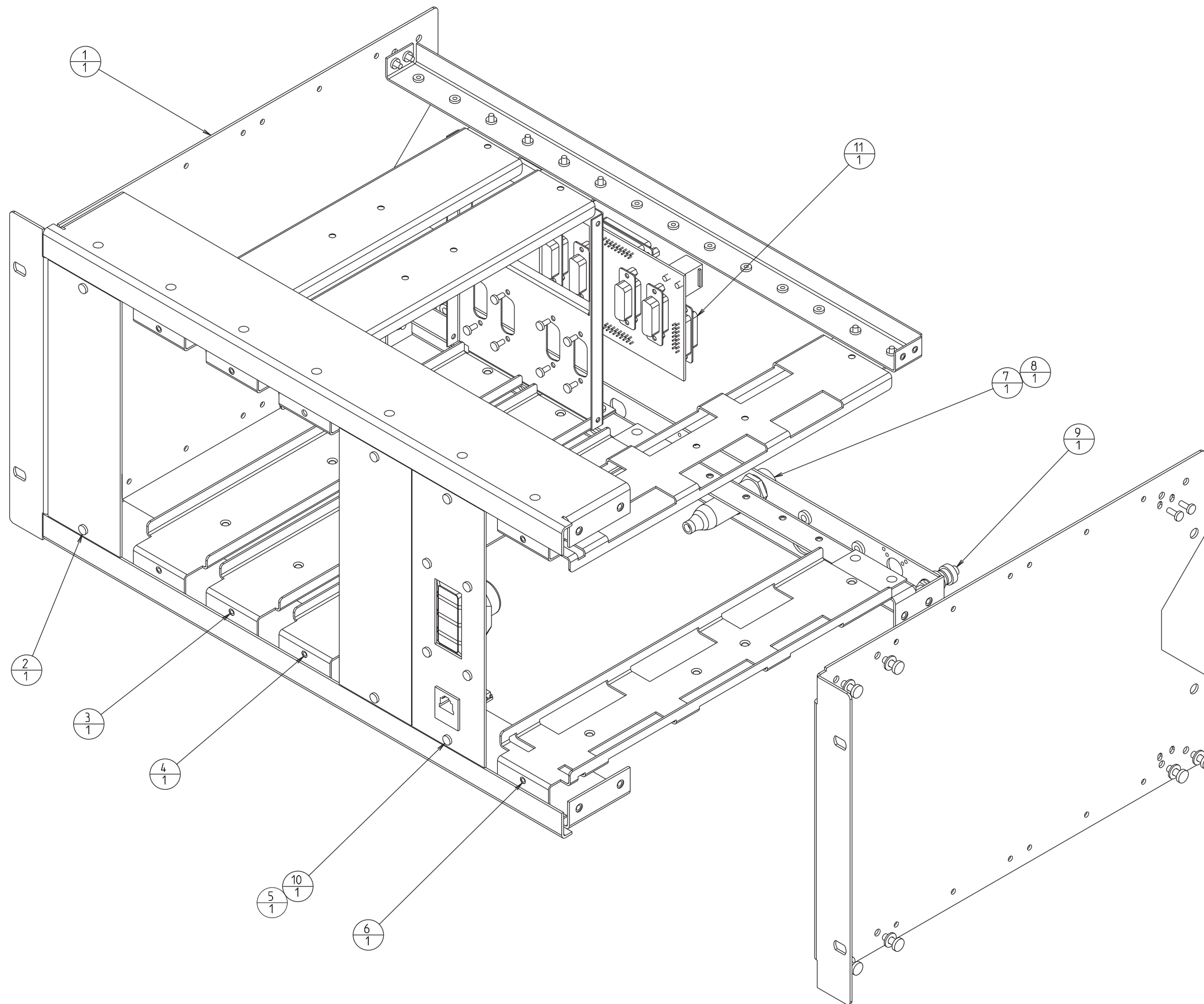


T800-22-0000 Standard

- x2 Blank Front Panels
- x1 T800-15-0000 Speaker Programming Panel
- x1 Fuseholder
- x1 Earthing Terminal
- x2 Channel Selection Dip Switches
- x1 Coaxial Relay Driver
- x1 Coolant Fan Driver

T800-22-0000 Options

- 316-06615-00 Blank Front Panel
- T800-01-0000 T800 Standard Programming Kit with PGM800WIN and Lead
- T800-15-0001 Speaker Front Panel
- T800-13-0000 Extender Rail Kit with x2 D-ranges Fitted.
- T800-19-0000 Fan Kit - Rail Mounted (As Series)
- T800-19-0010 Fan Kit - Guide Mounted
- T800-60-0000 Personality PCB for Monitor or Channel Selection Panels
- T818-01-0000 Rx/Tx Metering and Monitor Unit
- T800-43-0000 T300/T1500 Guide Kit for (T818-01-0000)
- T991-06 Cabinet 6U, with Door and Lock
- T004-72 Coaxial Relay
- TA087-01 Channel Selection Panel, Programmable 1 to 100 channels
- TA387-01 Channel Selection Panel, 1 to 10 Channels.



Key

The upper number is the component identification number which appears in the "Legend" column of the Mechanical & Miscellaneous Parts table shown below (and on each of the following drawings).

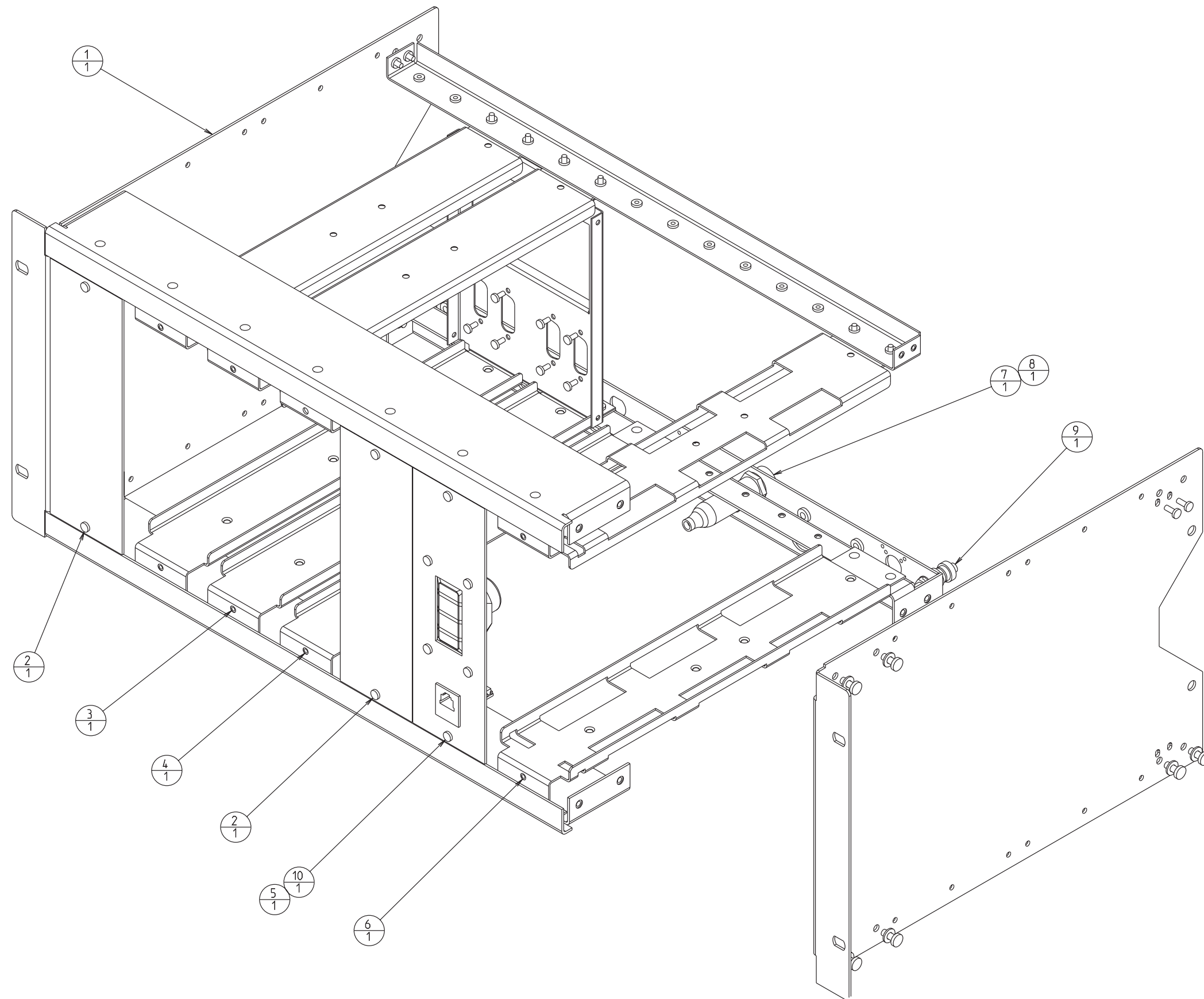
The lower number indicates how many of this component are used in this location or function.

Note that some nuts and washers, normally hidden behind other components, have been moved into view to improve the clarity of the drawing.

33
2

IPN/ Product Code	Legend	Description
T800-22-0004	1	Rack, Loom Option
T800-40-0001	2	T800 Blank Panel With Fitting Kit
T800-41-0002	3	T800 Double Guide Kit
T800-45-0000	4	T800 PA Guide Kit
T800-40-0000	5	T800 Fitting Kit Only For Blank Panel
T800-44-0000	6	T800 PS Guide Kit
340-00010-22	7	Fuseholder 30A Panel Mtg
340-00011-50	8	Cover, Fuseholder, Insulating
356-00010-61	9	Earthing Terminal
T800-15-0000	10	Speaker Panel
T800-50-0000	11	Standard Rack Backplane PCB Assembly

**Standard Rack Frame With Backplane PCB
T800-22-0000 Mechanical Assembly**



Key

The upper number is the component identification number which appears in the "Legend" column of the Mechanical & Miscellaneous Parts table shown below (and on each of the following drawings).

The lower number indicates how many of this component are used in this location or function.

Note that some nuts and washers, normally hidden behind other components, have been moved into view to improve the clarity of the drawing.

IPN/ Product Code	Legend	Description
T800-22-0004	1	Rack, Loom Option
T800-40-0001	2	T800 Blank Panel With Fitting Kit
T800-41-0002	3	T800 Double Guide Kit
T800-45-0000	4	T800 PA Guide Kit
T800-40-0000	5	T800 Fitting Kit Only For Blank Panel
T800-44-0000	6	T800 PS Guide Kit
340-00010-22	7	Fuseholder 30A Panel Mtg
340-00011-50	8	Cover, Fuseholder, Insulating
356-00010-61	9	Earthing Terminal
T800-15-0000	10	Speaker Panel

**Standard Rack Frame Without Backplane PCB
T800-22-0002 Mechanical Assembly**