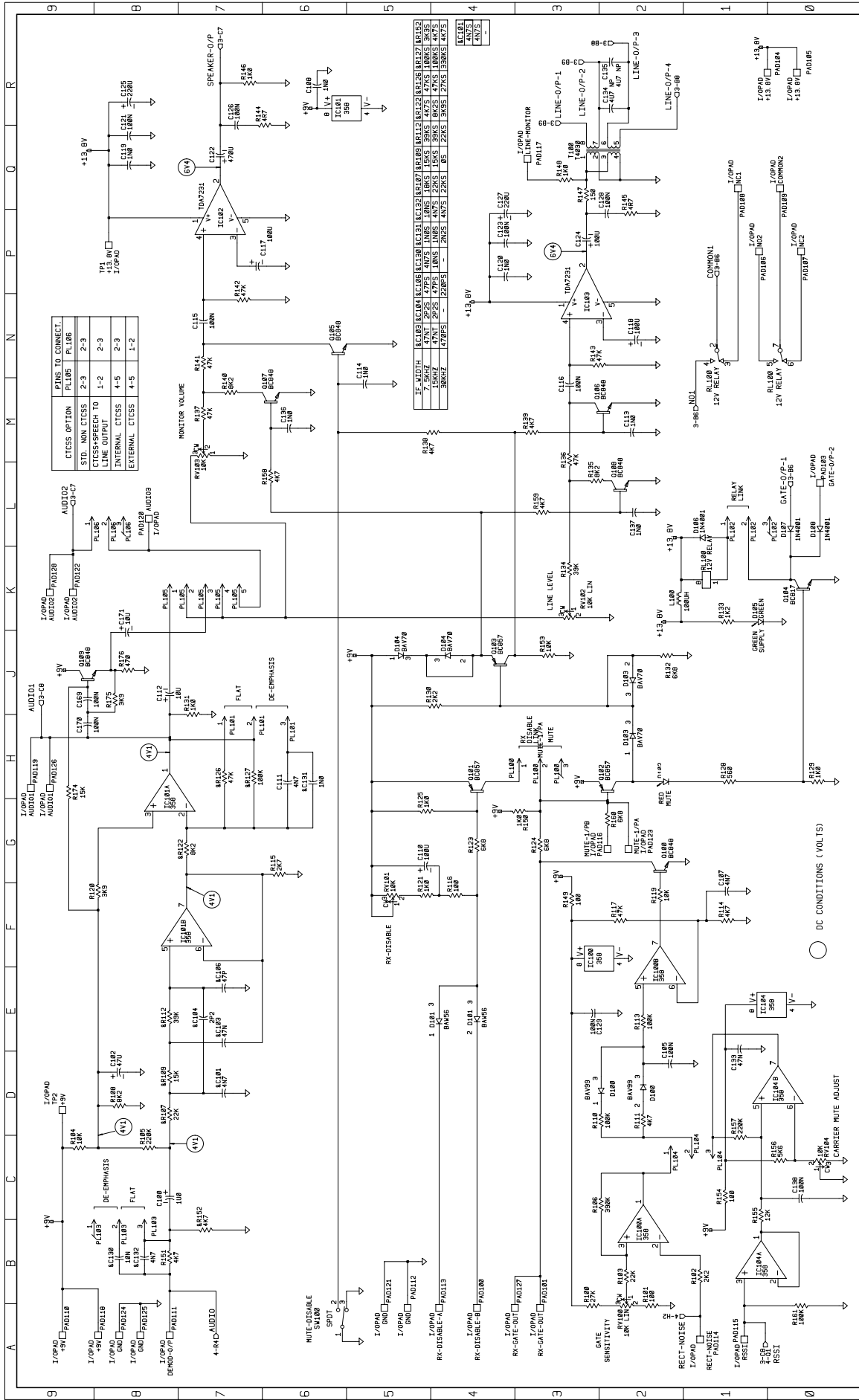


T855 Test Points & Options
Bottom Side
200-01139-02



20	ASSEMBLY VARIANT	KC	N. HALL	N. KELLER	21/6/92
21	C/N 31/06-336	DRH	N. HALL	N. KELLER	21/6/92
22	UPDATED MECHANICALS AND TEST POINTS (TEST LAYOUT ONLY)	DRH	N. HALL	N. KELLER	21/6/92
23	C/N 30/01-334 & 30/05-334	BP	N. HALL	N. KELLER	21/6/92
24	C/N 30/01-334	BP	N. HALL	N. KELLER	21/6/92
25	C/N 30/01-334	BP	N. HALL	N. KELLER	21/6/92
26	C/N 30/01-334	BP	N. HALL	N. KELLER	21/6/92
27	C/N 30/01-334	BP	N. HALL	N. KELLER	21/6/92
28	C/N 30/01-334	BP	N. HALL	N. KELLER	21/6/92
29	C/N 30/01-334	BP	N. HALL	N. KELLER	21/6/92
30	C/N 30/01-334	BP	N. HALL	N. KELLER	21/6/92

REVISED: _____

APPROVED: _____

DATE: _____

PROJECT: 220-01139-02

FILE NAME: T855 PCB

DATE: 21/6/92

NO. SHEETS: 4

SHEET NO: 4

© TAIT ELECTRONICS

T855/1875

AUDIO PROCESSOR

220-01139-02

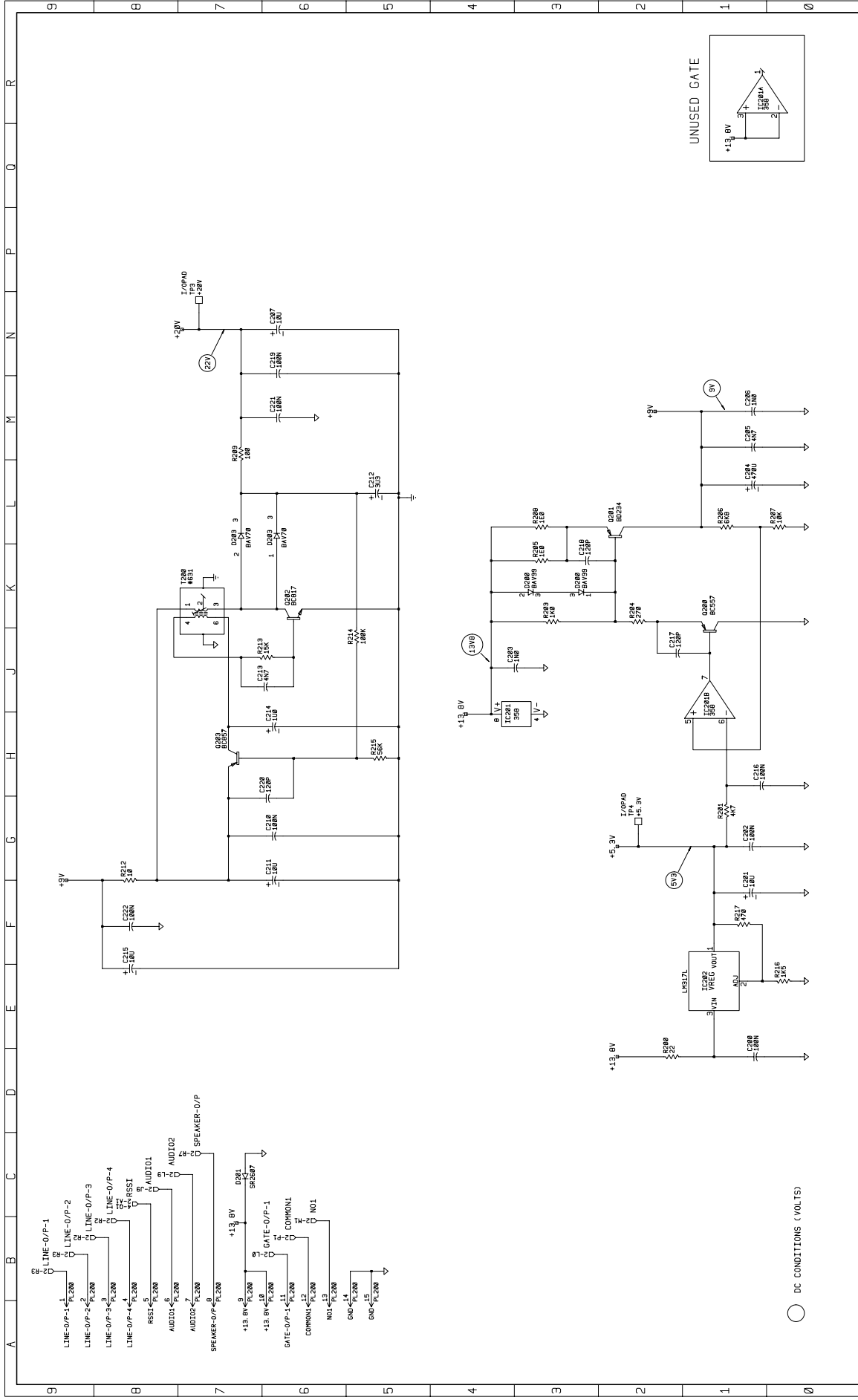
PROJECT: 220-01139-02

FILE NAME: T855 PCB

DATE: 21/6/92

NO. SHEETS: 4

SHEET NO: 4



REV/ISS	DATE	BY	CHKD	APP'D	D.O.	CHWG	DRWN	REVISIONS
1	21/6/92	N. KELLER	N. KELLER					
2	31/06/95	N. KELLER						
3	30/06/95							
4	30/06/95							
5	30/06/95							
6	30/06/95							
7	30/06/95							
8	30/06/95							
9	30/06/95							

© TAIT ELECTRONICS
 T855/T875
 REGULATOR
 PROJECT: 220-01139-02
 DRAWN: 22/7/94
 DESIGNED: 22/7/94
 FILE NAME: T855.D
 SHEET: 2, OF 3

